

SPECIFICATIONS

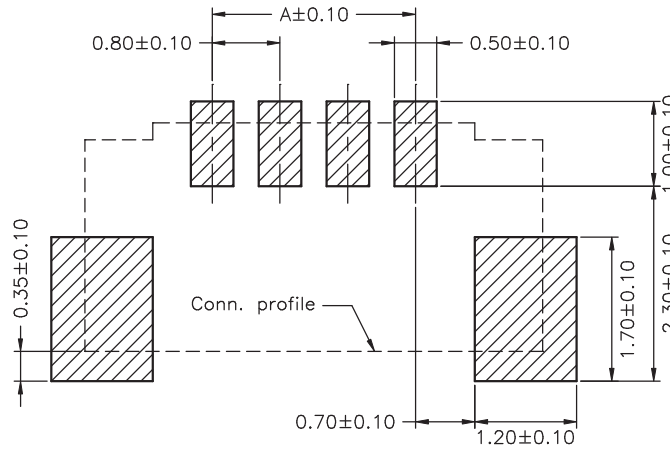
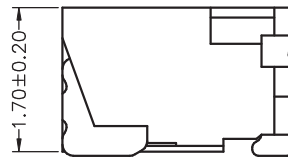
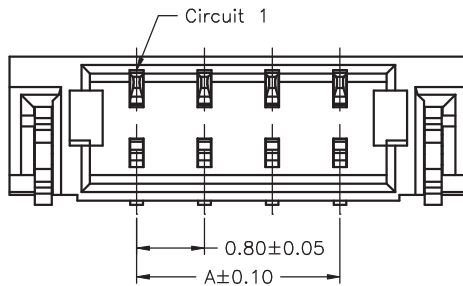
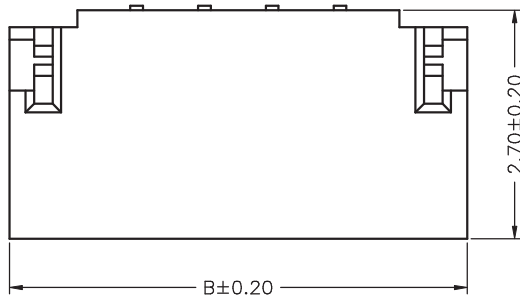
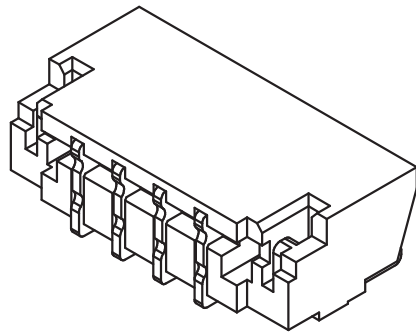
Current Rating: 0.5A AC,DC
 Voltage rating: 30V AC,DC
 Temperature Range: - 25 ~ +85
 Contact Resistance: 20mΩ Max.
 Insulation Resistance: 100mΩ Min.
 Withstanding Voltage: 200V AC/minute
 Contacts: Phosphor Bronze/Tin - Plated
 Material: Nylon PA46,UL94V-0
 Color: Natural(Beige)

Ordering Information & Dimensions

PART NO	Dimensions	
	A	B
JWL080-M02-PF	0.80	2.40
JWL080-M03-PF	1.60	3.20
JWL080-M04-PF	2.40	4.00
JWL080-M05-PF	3.20	4.80
JWL080-M06-PF	4.00	5.60
JWL080-M07-PF	4.80	6.40
JWL080-M08-PF	5.60	7.20
JWL080-M09-PF	6.40	8.00
JWL080-M10-PF	7.20	8.80
JWL080-M11-PF	8.00	9.60
JWL080-M12-PF	8.80	10.40
JWL080-M13-PF	9.60	11.20
JWL080-M14-PF	10.40	12.00
JWL080-M15-PF	11.20	12.80
JWL080-M16-PF	12.00	13.60
JWL080-M17-PF	12.80	14.40
JWL080-M18-PF	13.60	15.20
JWL080-M19-PF	14.40	16.00
JWL080-M20-PF	15.20	16.80
JWL080-M21-PF	16.00	17.60
JWL080-M22-PF	16.80	18.40
JWL080-M23-PF	17.60	19.20
JWL080-M24-PF	18.40	20.00

NOTES:
 Applicable Wire: AWG#32
 Insulation O.D.: 0.38mm

广瑞电子科技有限公司					
UNIT	SCALE	SHEET	TITLE:		
mm		1 of 1	0.80mm PITCH I. D. C. HOUSING		
DRAWN BY		APPROVED BY			
SUSAN 2004.2.11		HENLY 2004.2.11			
GENERAL TOLERANCE					
A1	REVISE	2004.5.18	X. X±0.25	ANGLE±	
A0	NEW RELEASE	2004.2.11	X. XX±0.15		
REV.	DESCRIPTION	DATE	X. XXX±0.05		
			DRAW NO. : JWL080-MXX-PF	REV. A2	



P.C.B. LAYOUT

SPECIFICATIONS

Current Rating: 0.5A AC,DC
 Voltage rating: 30V AC,DC
 Temperature Range: - 25 ~ +85
 Contact Resistance: 20mΩ Max.
 Insulation Resistance: 100mΩ Min.
 Withsanding Voltage: 200V AC/minute
 Contacts: Phosphor Bronze/Tin - Plated
 Material: Nylon LCP(6807),UL94V-0
 Color: Natural(Beige)

Ordering Information & Dimensions

PART NO	Dimensions	
	A	B
JWL080-G02-PF	0.80	3.80
JWL080-G03-PF	1.60	4.60
JWL080-G04-PF	2.40	5.40
JWL080-G05-PF	3.20	6.20
JWL080-G06-PF	4.00	7.00
JWL080-G07-PF	4.80	7.80
JWL080-G08-PF	5.60	8.60
JWL080-G09-PF	6.40	9.40
JWL080-G10-PF	7.20	10.20
JWL080-G11-PF	8.00	11.00
JWL080-G12-PF	8.80	11.80
JWL080-G13-PF	9.60	12.60
JWL080-G14-PF	10.40	13.40
JWL080-G15-PF	11.20	14.20
JWL080-G16-PF	12.00	15.00
JWL080-G17-PF	12.80	15.80
JWL080-G18-PF	13.60	16.60
JWL080-G19-PF	14.40	17.40
JWL080-G20-PF	15.20	18.20
JWL080-G21-PF	16.00	19.00
JWL080-G22-PF	16.80	19.80
JWL080-G23-PF	17.60	20.60
JWL080-G24-PF	18.40	21.40

广瑞电子科技有限公司

UNIT	SCALE	SHEET	TITLE:
mm		1 of 2	
DRAWN BY	APPROVED BY	0.80mm PITCH 90° WAFER-SMT TYPE	
SUSAN 2004.2.11	HENLY 2004.2.11		
GENERAL TOLERANCE			DRAW NO. : JWL080-GXX-PF
2007.6.01			
A1	REVISE	2004.5.18	X. X±0.25
A0	NEW RELEASE	2004.2.11	X. XX±0.15
REV.	DESCRIPTION	DATE	X. XXX±0.05

REV. A2