

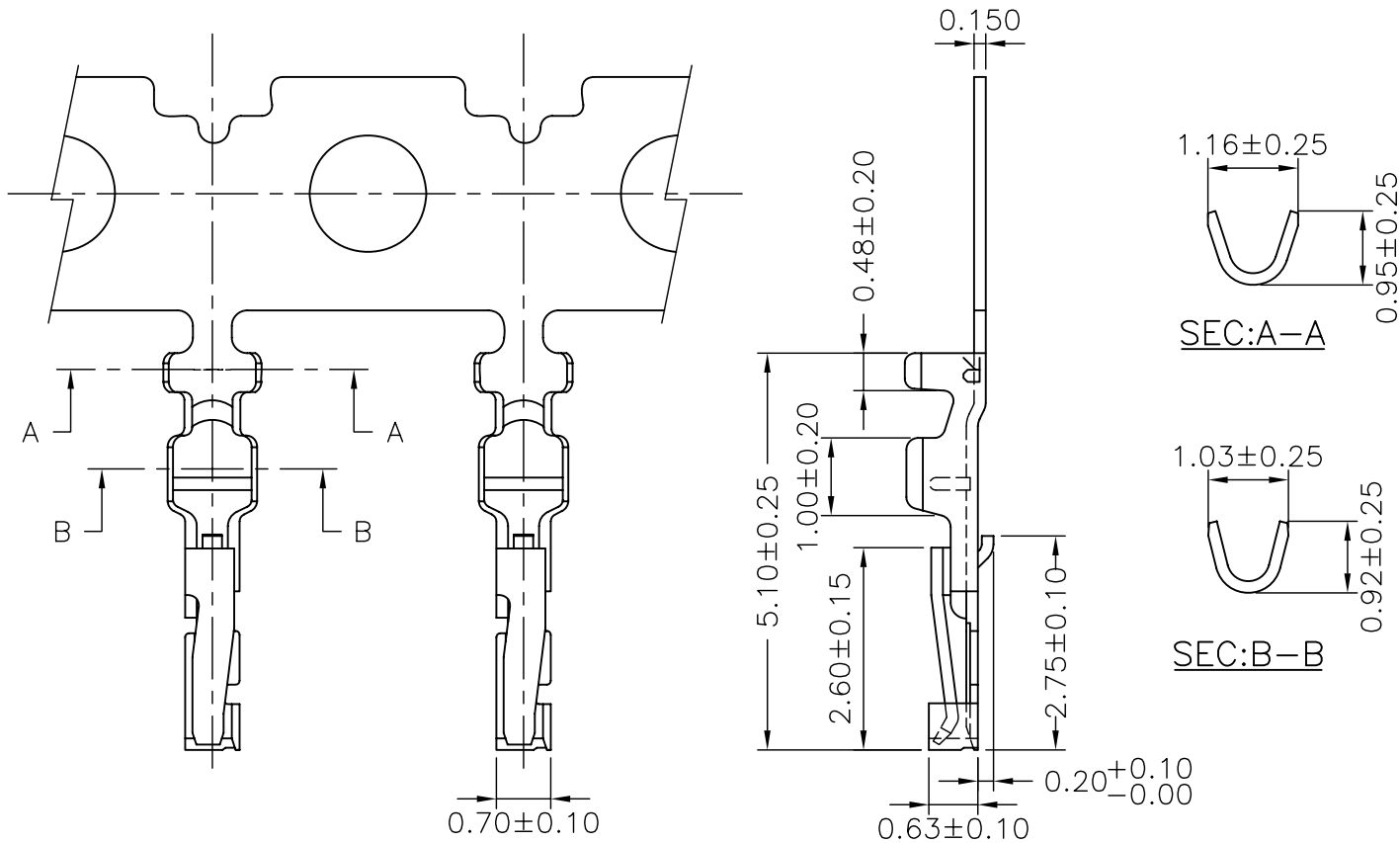
SPECIFICATIONS

Current Rating: 1A AC,DC
 Voltage Rating: 100V AC,DC
 Temperature Range: -25°C ~ +85°C
 Contact Resistance: 30mΩ Max.
 Insulation Resistance: 500MΩ Min.
 Withstanding Voltage: 500V AC/minute
 Shell: Phosphor Bronze/Nickel-plated
 Material: Nylon 66,UL94V-0
 Color: Natural(Beige)

Ordering Information & Dimensions

PART NO.	Dimensions	
	A	B
A1007H-08P	7.00	11.50
A1007H-14P	13.00	17.50
A1007H-20P	19.00	23.50
A1007H-30P	29.00	33.50

广瑞电子科技有限公司				
UNIT	SCALE	SHEET	TITLE:	
mm		1 of 2	1.00mm PITCH HOUSING	
DRAWN BY	APPROVED BY			
SUSAN	HENLY			
2002.10.17	2002.10.17			
GENERAL TOLERANCE			DRAW NO. :	
X.X±0.25	ANGLE±		A1007H-XP	
B0	NEW RELEASE	2006.06.12		
REV.	DESCRIPTION	DATE		
X.XX±0.15			REV.	
X.XXX±0.05			B0	

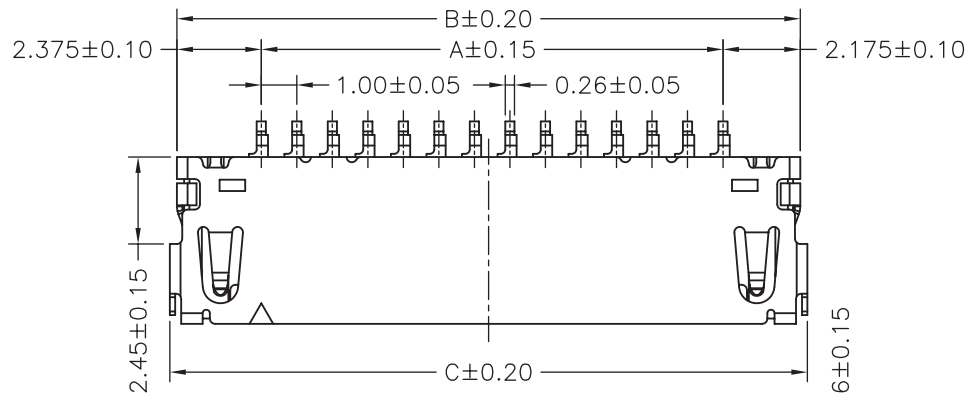
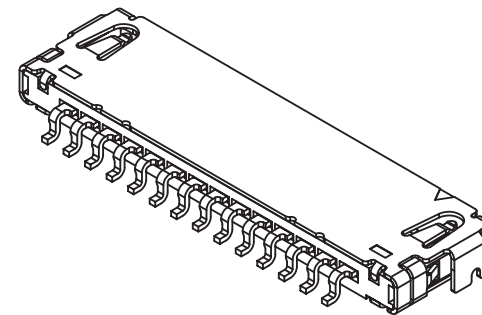
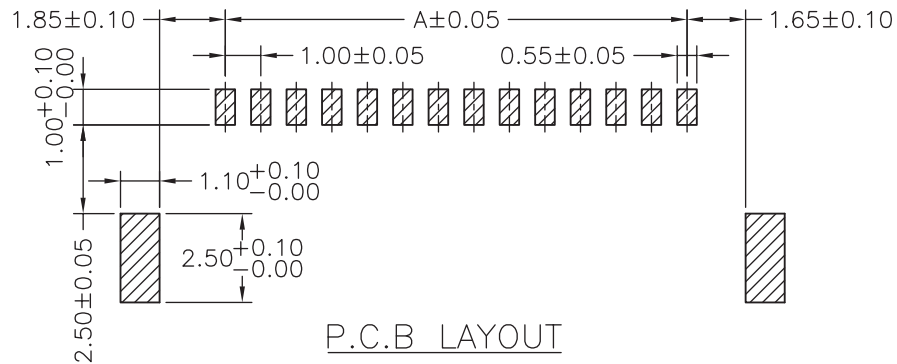


Ordering Information & Specifications

Part No	Wire Range	Insulation O.D.	Material	Finish	Qty/reel
A1007-GPE	AWG#28-#32	0.60mm(max)	Phosphor Bronze	Gold-plated	15,000pcs

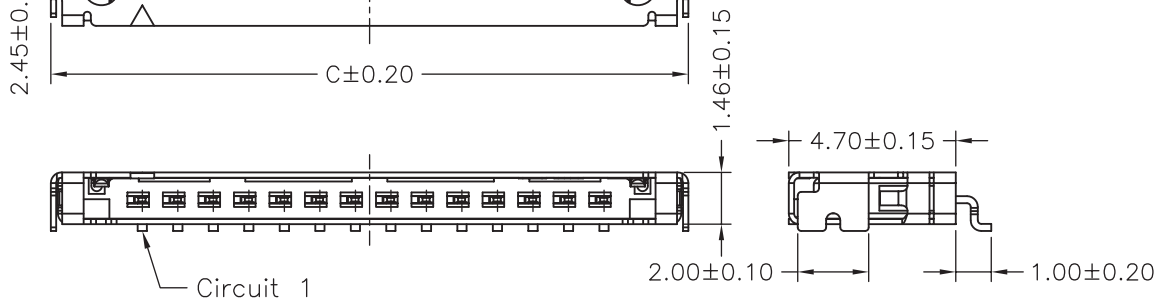
Note:E-Stamping before Gold-plated

广瑞电子科技有限公司					
			UNIT	SCALE	SHEET
			mm		1 of 1
			DRAWN BY	APPROVED BY	
			SUSAN	HENLY	
			2002.10.14	2002.10.14	
			GENERAL TOLERANCE		
			X.X±0.25	ANGLE±	
			X.XX±0.15	▽ ⊕	
			X.XXX±0.05		
B0	NEW RELEASE	2006.06.12	TITLE: 1.00mm PITCH CRIMP TERMINAL		
REV.	DESCRIPTION	DATE			
			DRAW NO. : A1007-XX		REV. B0



SPECIFICATIONS

Current Rating: 1A AC,DC
 Voltage Rating: 100V AC,DC
 Temperature Range: -25°C ~ +85°C
 Contact Resistance: 30mΩ Max.
 Insulation Resistance: 500MΩ Min.
 Withstanding Voltage: 500V AC/minute
 Shell: Phosphor Bronze/Tin-plated
 Pin: Phosphor Bronze/Gold-plated
 Material: Nylon 6T,UL94V-0
 Color: Natural(Beige)



Ordering Information & Dimensions

PART NO.	Dimensions		
	A	B	C
A1007WR-S-08P	7.00	11.55	11.95
A1007WR-S-14P	13.00	17.55	17.95
A1007WR-S-20P	19.00	23.55	23.95
A1007WR-S-30P	29.00	33.55	33.95

广瑞电子科技有限公司

UNIT	SCALE	SHEET	TITLE:	
mm		1 of 2		
DRAWN BY	APPROVED BY		1.00mm PITCH 90° WAFER-SMT TYPE	
董正	董正			
2003.04.22	2003.04.22			
GENERAL TOLERANCE			DRAW NO. : A1007WR-S-XP	
B1	REVISE	2008.09.17		X. X±0.25
B0	NEW RELEASE	2006.06.12		X. XX±0.15
REV.	DESCRIPTION	DATE		X. XXX±0.05
			ANGLE ±	
			⊕	
			REV. B1	