

**SPECIFICATIONS**

Current Rating: 1A AC,DC  
 Voltage Rating: 125V AC,DC  
 Temperature Range: -25°C ~ +85°C  
 Contact Resistance: 20mΩ Max.  
 Insulation Resistance: 500 MΩ Min.  
 Withstanding Voltage: 500V AC/minute  
 Material: PBT,UL94V-0  
 Color: Natural(White)

**Ordering Information & Dimensions**

| PART NO.   | Dimensions |       |
|------------|------------|-------|
|            | A          | B     |
| A1250H-02P | 1.25       | 4.25  |
| A1250H-03P | 2.50       | 5.50  |
| A1250H-04P | 3.75       | 6.75  |
| A1250H-05P | 5.00       | 8.00  |
| A1250H-06P | 6.25       | 9.25  |
| A1250H-07P | 7.50       | 10.50 |
| A1250H-08P | 8.75       | 11.75 |
| A1250H-09P | 10.00      | 13.00 |
| A1250H-10P | 11.25      | 14.25 |
| A1250H-11P | 12.50      | 15.50 |
| A1250H-12P | 13.75      | 16.75 |
| A1250H-13P | 15.00      | 18.00 |
| A1250H-14P | 16.25      | 19.25 |
| A1250H-15P | 17.50      | 20.50 |

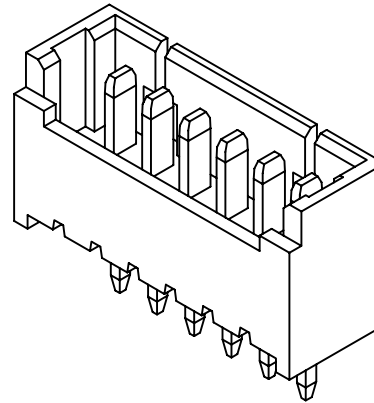
**广瑞电子科技有限公司**

|                   |             |                      |         |
|-------------------|-------------|----------------------|---------|
| UNIT              | SCALE       | SHEET                | TITLE:  |
| mm                |             | 1 of 1               |         |
| DRAWN BY          | APPROVED BY | 1.25mm PITCH HOUSING |         |
| SUSAN             | HENLY       |                      |         |
| 2001.02.01        | 2001.02.01  | DRAW NO. : A1250H-XP |         |
| GENERAL TOLERANCE |             |                      |         |
| B0                | NEW RELEASE | 2006.06.23           | REV. B0 |
| REV.              | DESCRIPTION | DATE                 |         |
|                   |             | X. X±0.25            |         |
|                   |             | X. XX±0.15           |         |
|                   |             | X. XXX±0.05          |         |



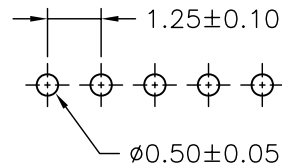
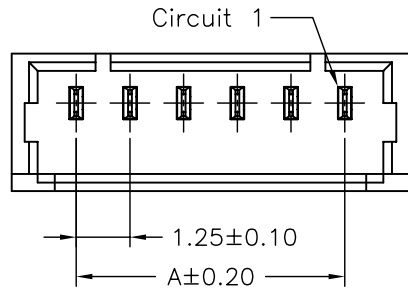
**SPECIFICATIONS**

Current Rating: 1A AC,DC  
 Voltage Rating: 125V AC,DC  
 Temperature Range: -25°C ~ +85°C  
 Contact Resistance: 20mΩ Max.  
 Insulation Resistance: 100MΩ Min.  
 Withstanding Voltage: 500V AC/minute  
 Pin Material: Phosphor Bronze/Tin-plated  
 Material: Nylon 6T,UL94V-0  
 Color: Natural(Beige)

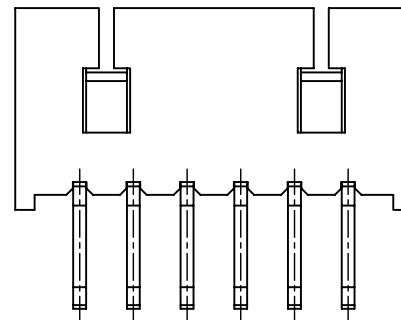
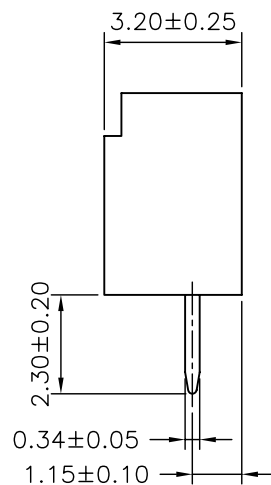
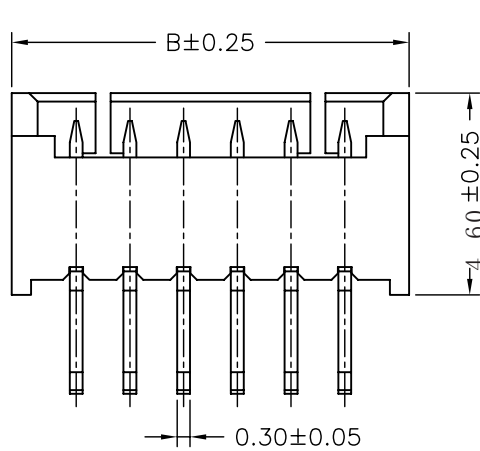


**Ordering Information & Dimensions**

| PART NO.    | Dimensions |       |
|-------------|------------|-------|
|             | A          | B     |
| A1250WV-02P | 1.25       | 4.25  |
| A1250WV-03P | 2.50       | 5.50  |
| A1250WV-04P | 3.75       | 6.75  |
| A1250WV-05P | 5.00       | 8.00  |
| A1250WV-06P | 6.25       | 9.25  |
| A1250WV-07P | 7.50       | 10.50 |
| A1250WV-08P | 8.75       | 11.75 |
| A1250WV-09P | 10.00      | 13.00 |
| A1250WV-10P | 11.25      | 14.25 |
| A1250WV-11P | 12.50      | 15.50 |
| A1250WV-12P | 13.75      | 16.75 |
| A1250WV-13P | 15.00      | 18.00 |
| A1250WV-14P | 16.25      | 19.25 |
| A1250WV-15P | 17.50      | 20.50 |
| A1250WV-16P | 18.75      | 21.75 |
| A1250WV-17P | 20.00      | 23.00 |
| A1250WV-18P | 21.25      | 24.25 |

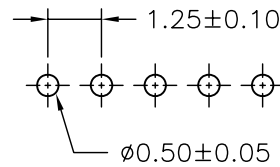
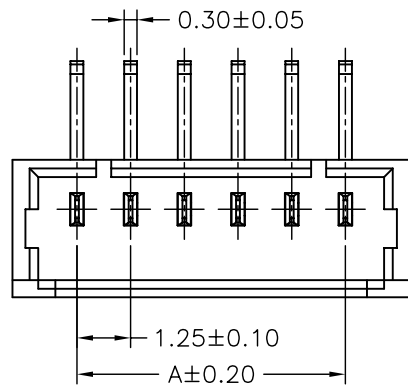


**P.C.B LAYOUT**

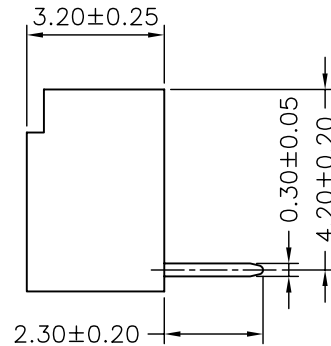
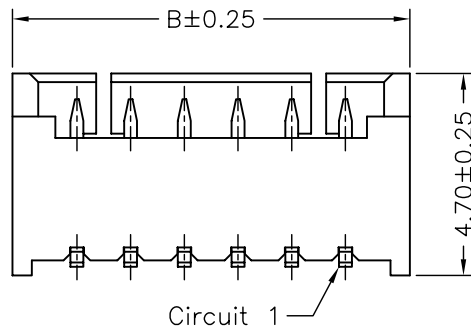
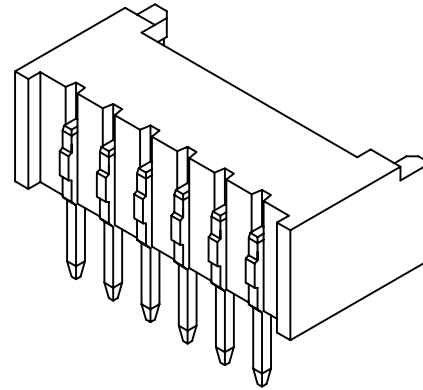


**广瑞电子科技有限公司**

|                   |             |                            |                          |
|-------------------|-------------|----------------------------|--------------------------|
| UNIT              | SCALE       | SHEET                      | TITLE:                   |
| mm                |             | 1 of 1                     |                          |
| DRAWN BY          | APPROVED BY | 1.25mm PITCH<br>180° WAFER |                          |
| SUSAN             | HENLY       |                            |                          |
| 2001.02.01        | 2001.02.01  |                            |                          |
| GENERAL TOLERANCE |             |                            | DRAW NO. :<br>A1250WV-XP |
| X. X±0.25         | ANGLE±      | REV. BO                    |                          |
| X. XX±0.15        |             |                            |                          |
| X. XXX±0.05       |             |                            |                          |
| B0                | NEW RELEASE | 2006.06.23                 |                          |
| REV.              | DESCRIPTION | DATE                       |                          |



P.C.B LAYOUT



SPECIFICATIONS

Current Rating: 1A AC,DC  
 Voltage Rating: 125V AC,DC  
 Temperature Range: -25°C ~ +85°C  
 Contact Resistance: 20mΩ Max.  
 Insulation Resistance: 100MΩ Min.  
 Withstanding Voltage: 500V AC/minute  
 Pin Material: Phosphor Bronze/Tin-plated  
 Material: Nylon 6T,UL94V-0  
 Color: Natural(Beige)

Ordering Information & Dimensions

| PART NO.    | Dimensions |       |
|-------------|------------|-------|
|             | A          | B     |
| A1250WR-02P | 1.25       | 4.25  |
| A1250WR-03P | 2.50       | 5.50  |
| A1250WR-04P | 3.75       | 6.75  |
| A1250WR-05P | 5.00       | 8.00  |
| A1250WR-06P | 6.25       | 9.25  |
| A1250WR-07P | 7.50       | 10.50 |
| A1250WR-08P | 8.75       | 11.75 |
| A1250WR-09P | 10.00      | 13.00 |
| A1250WR-10P | 11.25      | 14.25 |
| A1250WR-11P | 12.50      | 15.50 |
| A1250WR-12P | 13.75      | 16.75 |
| A1250WR-13P | 15.00      | 18.00 |
| A1250WR-14P | 16.25      | 19.25 |
| A1250WR-15P | 17.50      | 20.50 |
| A1250WR-16P | 18.75      | 21.75 |
| A1250WR-17P | 20.00      | 23.00 |
| A1250WR-18P | 21.25      | 24.25 |

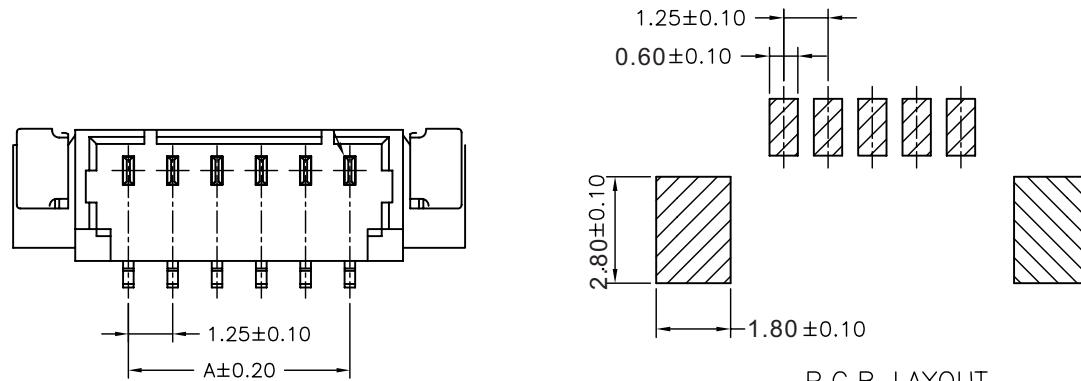
广瑞电子科技有限公司

|                   |             |                           |         |
|-------------------|-------------|---------------------------|---------|
| UNIT              | SCALE       | SHEET                     | TITLE:  |
| mm                |             | 1 of 1                    |         |
| DRAWN BY          | APPROVED BY | 1.25mm PITCH<br>90° WAFER |         |
| SUSAN             | HENLY       |                           |         |
| 2001.02.01        | 2001.02.01  | DRAW NO. : A1250WR-XP     |         |
| GENERAL TOLERANCE |             |                           | REV. B0 |
| X. X±0.25         | ANGLE±      |                           |         |
| X. XX±0.15        |             |                           |         |
| X. XXX±0.05       |             |                           |         |
| B0                | NEW RELEASE | 2006.06.23                |         |
| REV.              | DESCRIPTION | DATE                      |         |

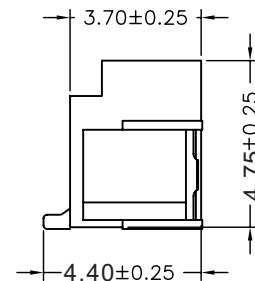
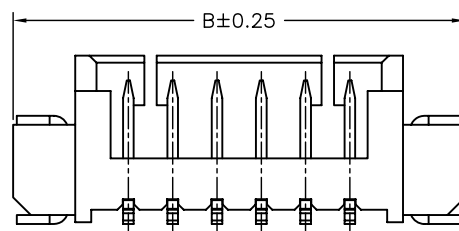
**SPECIFICATIONS**  
 Current Rating: 1A AC,DC  
 Voltage Rating: 125V AC,DC  
 Temperature Range: -25°C ~ +85°C  
 Contact Resistance: 20mΩ Max.  
 Insulation Resistance: 100MΩ Min.  
 Withstanding Voltage: 500V AC/minute  
 Pin Material: Phosphor Bronze/Tin-plated  
 Solder Tabs: Phosphor Bronze/Tin-plated  
 Material: Nylon 6T,UL94V-0  
 Color: Natural(Beige)

**Ordering Information & Dimensions**

| PART NO.      | Dimensions |       |
|---------------|------------|-------|
|               | A          | B     |
| A1250WV-S-02P | 1.25       | 7.75  |
| A1250WV-S-03P | 2.50       | 9.00  |
| A1250WV-S-04P | 3.75       | 10.25 |
| A1250WV-S-05P | 5.00       | 11.50 |
| A1250WV-S-06P | 6.25       | 12.75 |
| A1250WV-S-07P | 7.50       | 14.00 |
| A1250WV-S-08P | 8.75       | 15.25 |
| A1250WV-S-09P | 10.00      | 16.50 |
| A1250WV-S-10P | 11.25      | 17.75 |
| A1250WV-S-11P | 12.50      | 19.00 |
| A1250WV-S-12P | 13.75      | 20.25 |
| A1250WV-S-13P | 15.00      | 21.50 |
| A1250WV-S-14P | 16.25      | 22.75 |
| A1250WV-S-15P | 17.50      | 24.00 |
| A1250WV-S-16P | 18.75      | 25.25 |
| A1250WV-S-17P | 20.00      | 26.50 |
| A1250WV-S-18P | 21.25      | 27.75 |



P.C.B LAYOUT



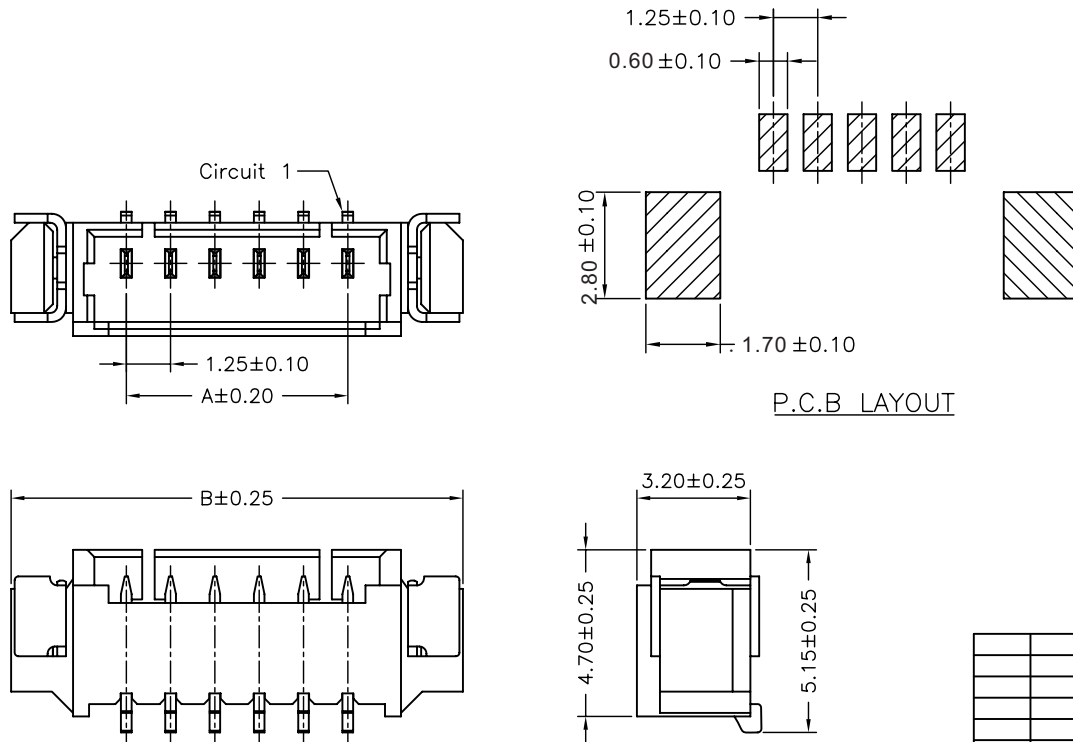
**广瑞电子科技有限公司**

|                   |             |             |              |                                     |
|-------------------|-------------|-------------|--------------|-------------------------------------|
| UNIT              |             | SCALE       | SHEET        | TITLE:                              |
| mm                |             |             | 1 of 2       |                                     |
| DRAWN BY          |             | APPROVED BY |              | 1.25mm PITCH<br>180° WAFER-SMT TYPE |
| susan             |             | henly       |              |                                     |
| 2007.02.15        |             | 2007.02.15  |              |                                     |
| GENERAL TOLERANCE |             |             |              |                                     |
| B1                | 变更尺寸        | 2007.02.15  | X.X±0.25     | ANGLE±                              |
| B0                | NEW RELEASE | 2006.06.23  | X.XX±0.15    |                                     |
| REV.              | DESCRIPTION | DATE        | X.XXX±0.05   |                                     |
| DRAW NO. :        |             |             | REV. B1      |                                     |
|                   |             |             | A1250WV-S-XP |                                     |

**SPECIFICATIONS**  
 Current Rating: 1A AC,DC  
 Voltage Rating: 125V AC,DC  
 Temperature Range: -25°C ~ +85°C  
 Contact Resistance: 20mΩ Max.  
 Insulation Resistance: 100MΩ Min.  
 Withstanding Voltage: 500V AC/minute  
 Pin Material: Phosphor Bronze/Tin-plated  
 Solder Tabs: Phosphor Bronze/Tin-plated  
 Material: Nylon 6T,UL94V-0  
 Color: Natural(Beige)

**Ordering Information & Dimensions**

| PART NO.      | Dimensions |       |
|---------------|------------|-------|
|               | A          | B     |
| A1250WR-S-02P | 1.25       | 7.75  |
| A1250WR-S-03P | 2.50       | 9.00  |
| A1250WR-S-04P | 3.75       | 10.25 |
| A1250WR-S-05P | 5.00       | 11.50 |
| A1250WR-S-06P | 6.25       | 12.75 |
| A1250WR-S-07P | 7.50       | 14.00 |
| A1250WR-S-08P | 8.75       | 15.25 |
| A1250WR-S-09P | 10.00      | 16.50 |
| A1250WR-S-10P | 11.25      | 17.75 |
| A1250WR-S-11P | 12.50      | 19.00 |
| A1250WR-S-12P | 13.75      | 20.25 |
| A1250WR-S-13P | 15.00      | 21.50 |
| A1250WR-S-14P | 16.25      | 22.75 |
| A1250WR-S-15P | 17.50      | 24.00 |
| A1250WR-S-16P | 18.75      | 25.25 |
| A1250WR-S-17P | 20.00      | 26.50 |
| A1250WR-S-18P | 21.25      | 27.75 |



|      |             |                   |             |                   |                           |
|------|-------------|-------------------|-------------|-------------------|---------------------------|
|      |             |                   |             | <b>广瑞电子科技有限公司</b> |                           |
|      |             | UNIT              | SCALE       | SHEET             | TITLE:                    |
|      |             | mm                |             | 1 of 3            |                           |
|      |             | DRAWN BY          | APPROVED BY |                   |                           |
|      |             | SUSAN             | HENLY       |                   |                           |
|      |             | 2001.02.01        | 2001.02.01  |                   |                           |
|      |             | GENERAL TOLERANCE |             |                   |                           |
|      |             | X. X±0.25         | ANGLE±      |                   |                           |
|      |             | X. XX±0.15        |             |                   |                           |
|      |             | X. XXX±0.05       |             |                   |                           |
| B0   | NEW RELEASE | 2006.06.23        |             |                   |                           |
| REV. | DESCRIPTION | DATE              |             |                   |                           |
|      |             |                   |             |                   | DRW NO. :<br>A1250WR-S-XP |
|      |             |                   |             |                   | REV.<br>B0                |