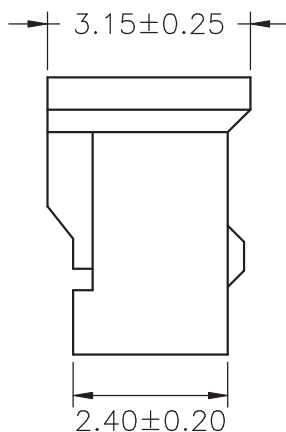
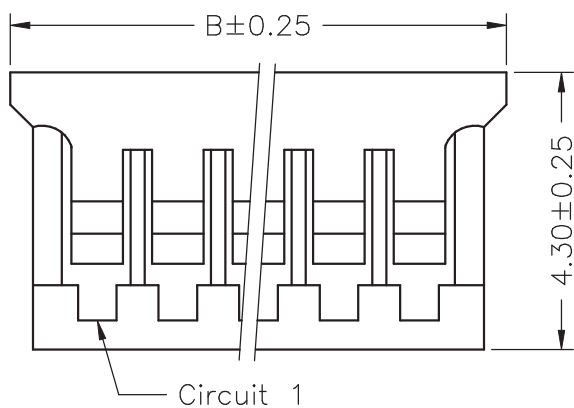
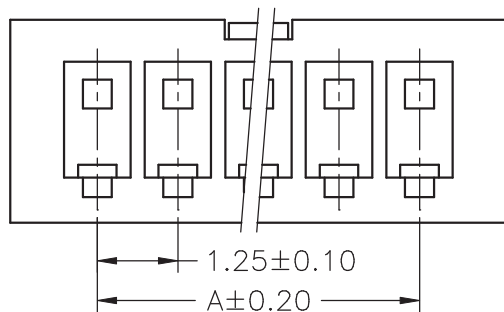


SPECIFICATIONS

Current Rating: 1A AC,DC
 Voltage Rating: 200V AC,DC
 Temperature Range: -25°C ~ +85°C
 Contact Resistance: 20mΩ Max.
 Insulation Resistance: 100MΩ Min.
 Withstanding Voltage: 500V AC/minute
 Material: Nylon 66,UL94V-0
 Pantone Color: 472C

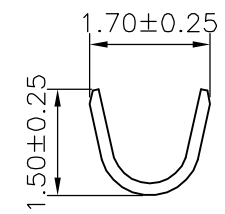
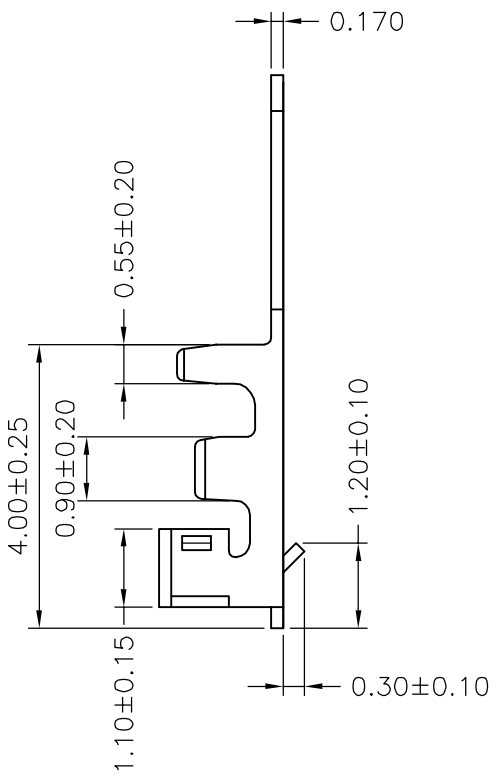
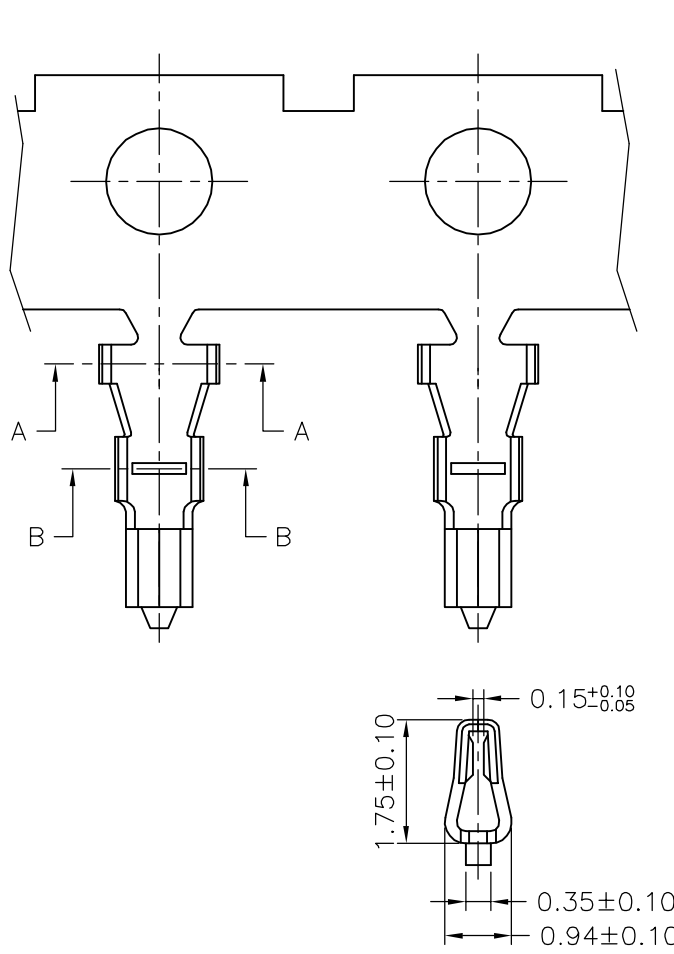


Ordering Information & Dimensions

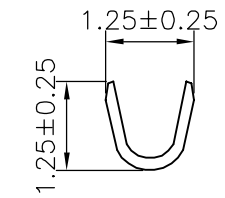
PART NO.	Dimensions	
	A	B
A1251H-2P	1.25	3.95
A1251H-3P	2.50	5.20
A1251H-4P	3.75	6.45
A1251H-5P	5.00	7.70
A1251H-6P	6.25	8.95
A1251H-7P	7.50	10.20
A1251H-8P	8.75	11.45
A1251H-9P	10.00	12.70
A1251H-10P	11.25	13.95
A1251H-11P	12.50	15.20
A1251H-12P	13.75	16.45
A1251H-13P	15.00	17.70
A1251H-14P	16.25	18.95
A1251H-15P	17.50	20.20

广瑞电子科技有限公司

UNIT	SCALE	SHEET	TITLE:
mm		1 of 1	1.25mm PITCH HOUSING
DRAWN BY HENLY 2001.02.01	APPROVED BY SUSAN 2001.02.01	DRAW NO. : A1251H-XP	
GENERAL TOLERANCE			REV. B0
X. X±0.25	ANGLE±		
X. XX±0.15			
X. XXX±0.05			
B0	NEW RELEASE	2005.11.29	
REV.	DESCRIPTION	DATE	



SEC:A-A



SEC:B-B

Ordering Information & Specifications

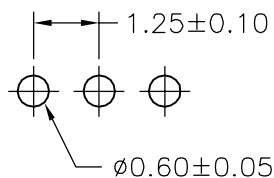
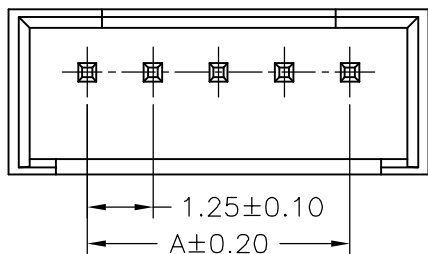
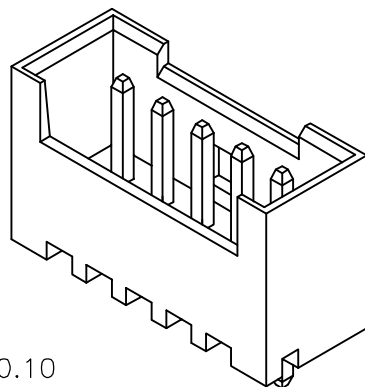
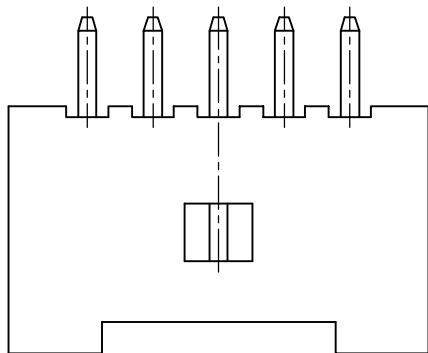
Part No	Wire Range	Insulation O.D.	Material	Finish	Qty/reel
A1251-TPE	AWG#28-#32	1.00mm(max)	Phosphor Bronze	Tin-plated	10,000pcs

Note:E-Stamping before Tin-plated

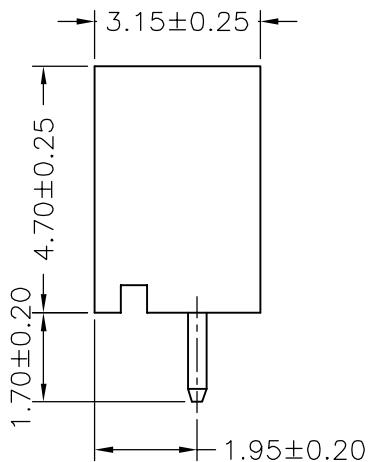
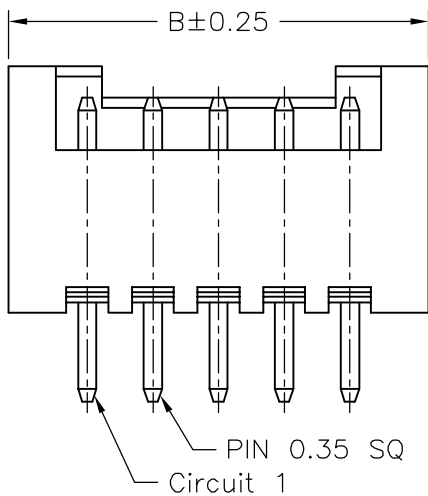
广瑞电子科技有限公司

				UNIT	SCALE	SHEET	TITLE:
				mm		1 of 1	
				DRAWN BY	APPROVED BY		
				SUSAN	HENLY		
				2001.02.01	2001.02.01		
				GENERAL TOLERANCE			
B2	ECN NO. EN0909150441	2009.09.15	GENERAL TOLERANCE				
B1	REVISE	2007.12.20	X. X±0.25	ANGLE±			
B0	NEW RELEASE	2005.11.29	X. XX±0.15				
REV.	DESCRIPTION	DATE	X. XXX±0.05				
							DRAW NO. :
							A1251-XX
							REV. B2

1.25mm PITCH
CRIMP TERMINAL



P.C.B LAYOUT



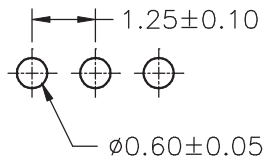
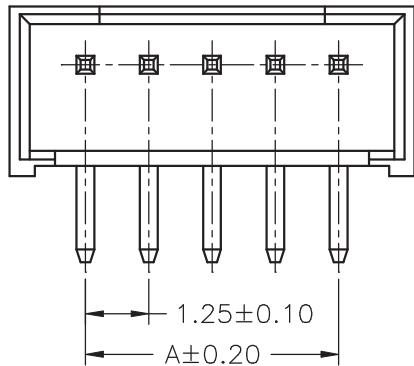
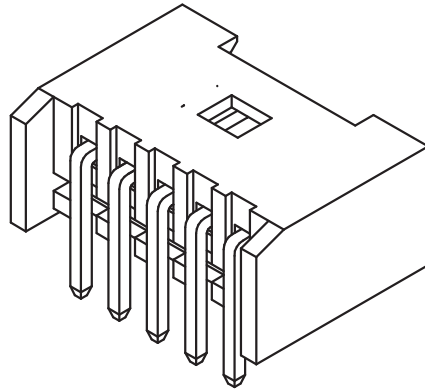
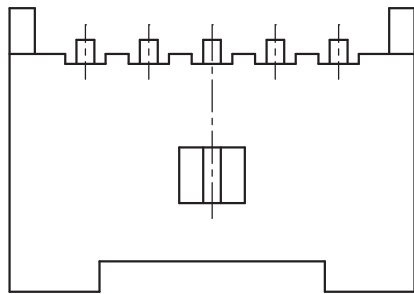
SPECIFICATIONS

Current Rating: 1A AC,DC
 Voltage Rating: 200V AC,DC
 Temperature Range: -25°C ~ +85°C
 Contact Resistance: 20mΩ Max.
 Insulation Resistance: 100MΩ Min.
 Withstanding Voltage: 500V AC/minute
 Pin Material: Brass/Tin-plated
 Material: Nylon 66,UL94V-0
 Pantone Color: 472C

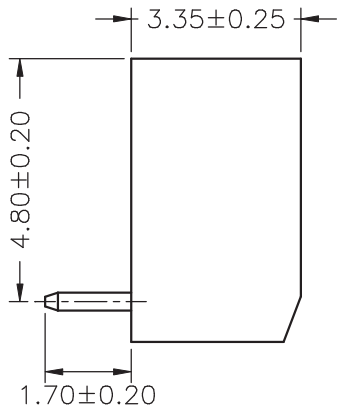
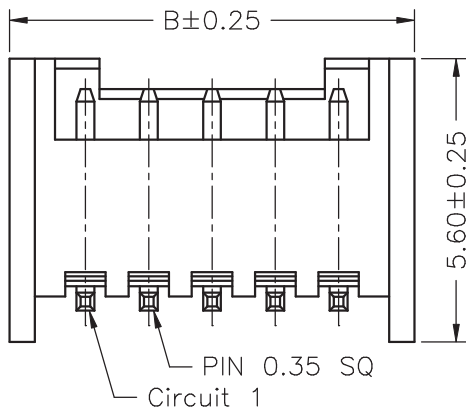
Ordering Information & Dimensions

PART NO.	Dimensions	
	A	B
A1251WV-02P	1.25	4.25
A1251WV-03P	2.50	5.50
A1251WV-04P	3.75	6.75
A1251WV-05P	5.00	8.00
A1251WV-06P	6.25	9.25
A1251WV-07P	7.50	10.50
A1251WV-08P	8.75	11.75
A1251WV-09P	10.00	13.00
A1251WV-10P	11.25	14.25
A1251WV-11P	12.50	15.50
A1251WV-12P	13.75	16.75
A1251WV-13P	15.00	18.00
A1251WV-14P	16.25	19.25
A1251WV-15P	17.50	20.50

广瑞电子科技有限公司			
UNIT	SCALE	SHEET	TITLE:
mm		1 of 1	1.25mm PITCH 180° WAFER
DRAWN BY SUSAN 2001.02.01		APPROVED BY HENLY 2001.02.01	
GENERAL TOLERANCE			
B1	REVISE	2007.12.20	X.X±0.25
B0	NEW RELEASE	2005.11.29	X.XX±0.15
REV.	DESCRIPTION	DATE	X.XXX±0.05
			ANGLE±
			DRAW NO.:
			A1251WV-XP
			REV. B1



P.C.B LAYOUT



SPECIFICATIONS

Current Rating: 1A AC,DC
 Voltage Rating: 200V AC,DC
 Temperature Range: -25°C ~ +85°C
 Contact Resistance: 20mΩ Max.
 Insulation Resistance: 100MΩ Min.
 Withstanding Voltage: 500V AC/minute
 Pin Material: Brass/Tin-plated
 Material: Nylon 66,UL94V-0
 Pantone Color: 472C

Ordering Information & Dimensions

PART NO.	Dimensions	
	A	B
A1251WR-2P	1.25	4.25
A1251WR-3P	2.50	5.50
A1251WR-4P	3.75	6.75
A1251WR-5P	5.00	8.00
A1251WR-6P	6.25	9.25
A1251WR-7P	7.50	10.50
A1251WR-8P	8.75	11.75
A1251WR-9P	10.00	13.00
A1251WR-10P	11.25	14.25
A1251WR-11P	12.50	15.50
A1251WR-12P	13.75	16.75
A1251WR-13P	15.00	18.00
A1251WR-14P	16.25	19.25
A1251WR-15P	17.50	20.50

				广瑞电子科技有限公司	
		UNIT	SCALE	SHEET	TITLE:
		mm		1 of 1	1.25mm PITCH 90° WAFER
		DRAWN BY	APPROVED BY		
		陈敬全	陈敬全		
		2001.02.01	2001.02.01		
		GENERAL TOLERANCE			
		X. X±0.25	ANGLE±		
B0	NEW RELEASE	2005.11.29	X. XX±0.15	DRAW NO. : A1251WR-XP	
REV.	DESCRIPTION	DATE	X. XXX±0.05		REV. B0