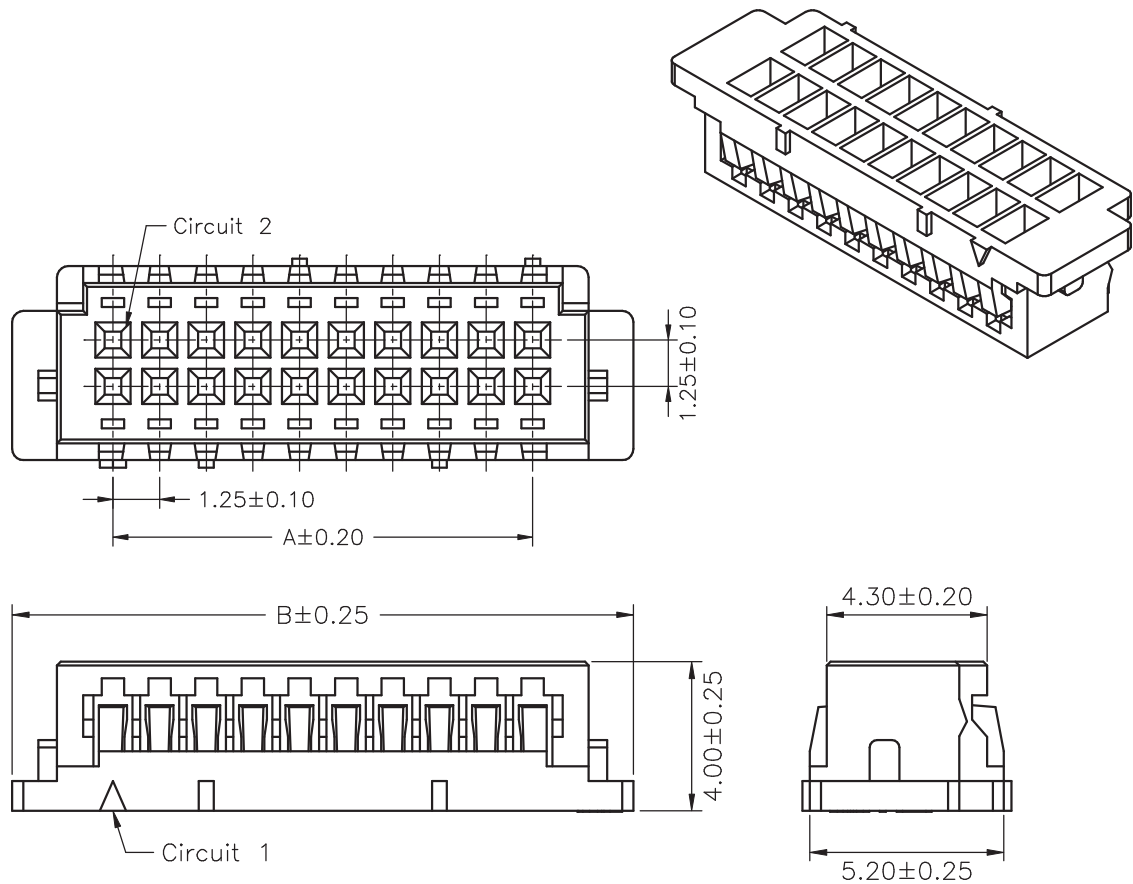


SPECIFICATIONS
 Current Rating: 1A AC,DC
 Voltage Rating: 150V AC,DC
 Temperature Range: -25°C ~ +85°C
 Contact Resistance: 30mΩ Max.
 Insulation Resistance: 500MΩ Min.
 Withstanding Voltage: 500V AC/minute
 Material: Nylon 66,UL94V-0
 Pantone Color: 7529C~7530C

Ordering Information & Dimensions

PART NO.	Dimensions	
	A	B
A1252H-02P	1.25	4.15
A1252H-03P	2.50	5.40
A1252H-04P	3.75	6.65
A1252H-05P	5.00	7.90
A1252H-06P	6.25	9.15
A1252H-07P	7.50	10.40
A1252H-08P	8.75	11.65
A1252H-09P	10.00	12.90
A1252H-10P	11.25	14.15
A1252H-11P	12.50	15.40
A1252H-12P	13.75	16.65
A1252H-13P	15.00	17.90
A1252H-14P	16.25	19.15
A1252H-15P	17.50	20.40

广瑞电子科技有限公司					
UNIT	SCALE	SHEET	TITLE:		
mm		1 of 1	1.25mm PITCH SINGLE ROW HOUSING		
DRAWN BY	APPROVED BY	DRAW NO. :			
SUSAN	HENLY	A1252H-XP			
2001.02.01	2001.02.01	REV. B0			
GENERAL TOLERANCE					
		X. X±0.25	ANGLE±		
B0	NEW RELEASE	2006.05.31	X. XX±0.15		
REV.	DESCRIPTION	DATE	X. XXX±0.05		



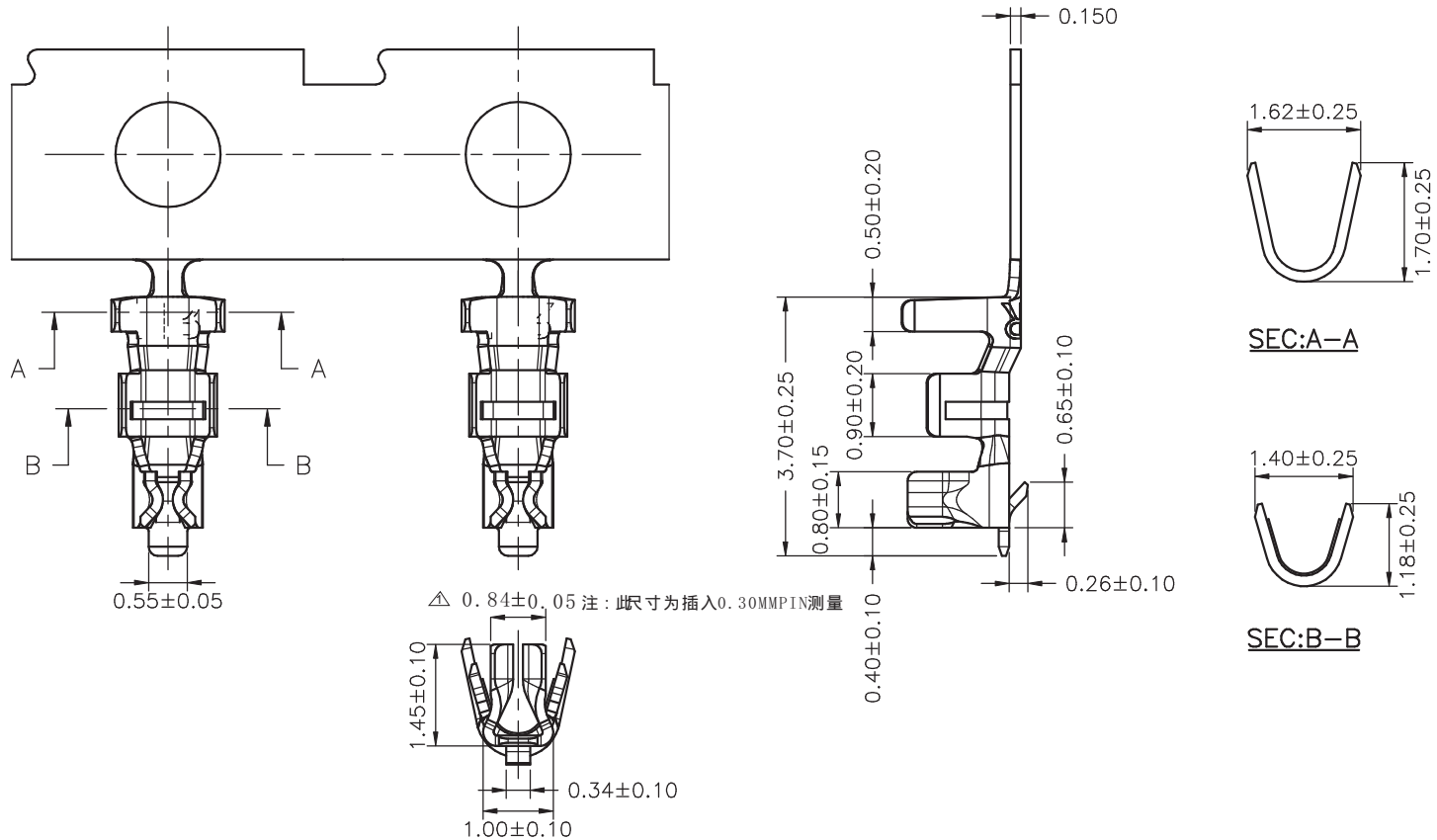
SPECIFICATIONS

Current Rating: 1A AC,DC
 Voltage Rating: 150V AC,DC
 Temperature Range: -25°C ~ +85°C
 Contact Resistance: 30mΩ Max.
 Insulation Resistance: 500MΩ Min.
 Withstanding Voltage: 500V AC/minute
 Material: Nylon 66,UL94V-0
 Pantone Color: 7529C~7530C

Ordering Information & Dimensions

PART NO.	Dimensions	
	A	B
A1252H-2X05P	5.00	10.40
A1252H-2X07P	7.50	12.90
A1252H-2X10P	11.25	16.65
A1252H-2X15P	17.50	22.90
A1252H-2X20P	23.75	29.15

广瑞电子科技有限公司					
UNIT	SCALE	SHEET	TITLE:		
mm		1 of 1	1.25mm PITCH DUAL ROW HOUSING		
DRAWN BY	APPROVED BY	DRAW NO. :			
SUSAN	HENLY	A1252H-2XNP			
2001.02.01	2001.02.01	REV. B0			
GENERAL TOLERANCE			REV. B0		
X. X±0.25	ANGLE±				
X. XX±0.15	⌀				
X. XXX±0.05					
B0	NEW RELEASE	2006.05.31			
REV.	DESCRIPTION	DATE			

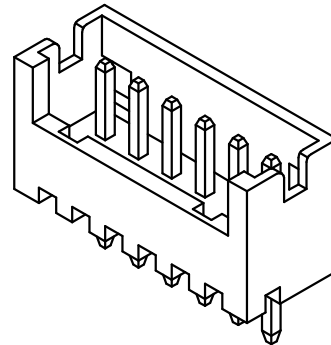
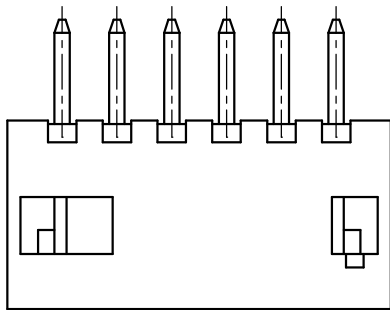


Ordering Information & Specifications

Part No	Wire Range	Insulation O.D.	Material	Finish	Qty/reel
A1252-TPE	AWG#26-#30	1.00mm(max)	Phosphor Bronze	Tin-plated	10,000pcs
A1252-MPE	AWG#26-#30	1.00mm(max)	Phosphor Bronze	Mist Tin	10,000pcs

Note:E-Stamping before Tin-plated

广瑞电子科技有限公司					
			UNIT	SCALE	SHEET
			mm		1 of 1
			DRAWN BY	APPROVED BY	TITLE:
			SUSAN	HENLY	1.25mm PITCH CRIMP TERMINAL
			2001.02.01	2001.02.01	
			GENERAL TOLERANCE		
				ANGLE±	
		△	2009.04.25	X.X±0.25	
B0	NEW RELEASE	2006.05.31	X.XX±0.15		DRAW NO. :
REV.	DESCRIPTION	DATE	X.XXX±0.05	☞	A1252-XX
					REV. B0

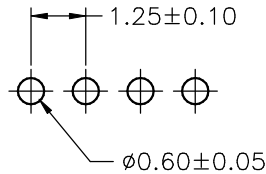
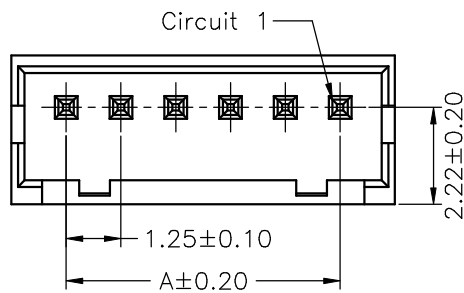


SPECIFICATIONS

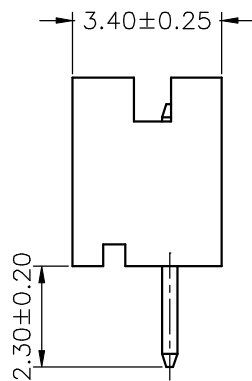
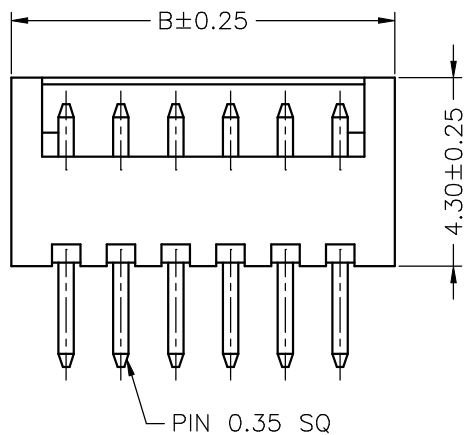
Current Rating: 1A AC,DC
 Voltage Rating: 150V AC,DC
 Temperature Range: -25°C ~ +85°C
 Contact Resistance: 30mΩ Max.
 Insulation Resistance: 500MΩ Min.
 Withstanding Voltage: 500V AC/minute
 Pin Material: Brass/Tin-plated
 Pin Material: Nylon 66,UL94V-0
 Pantone Color: 7529C~7530C

Ordering Information & Dimensions

PART NO.	Dimensions	
	A	B
A1252WV-02P	1.25	3.75
A1252WV-03P	2.50	5.00
A1252WV-04P	3.75	6.25
A1252WV-05P	5.00	7.50
A1252WV-06P	6.25	8.75
A1252WV-07P	7.50	10.00
A1252WV-08P	8.75	11.25
A1252WV-09P	10.00	12.50
A1252WV-10P	11.25	13.75
A1252WV-11P	12.50	15.00
A1252WV-12P	13.75	16.25
A1252WV-13P	15.00	17.50
A1252WV-14P	16.25	18.75
A1252WV-15P	17.50	20.00

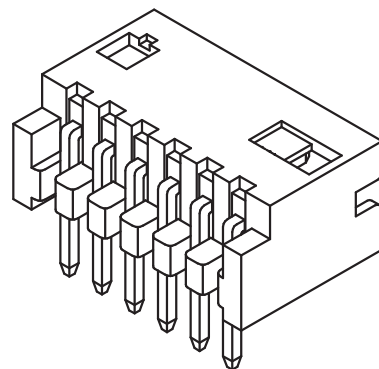
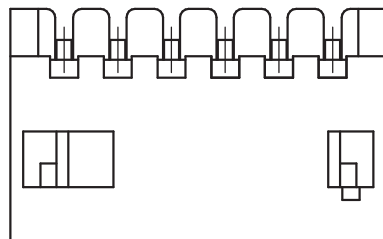


P.C.B. LAYOUT



广瑞电子科技有限公司

			UNIT	SCALE	SHEET	TITLE:
			mm		1 of 1	
			DRAWN BY	APPROVED BY		
			SUSAN	HENLY		
			2001.02.01	2001.02.01		
			GENERAL TOLERANCE			
			X. X±0.25	ANGLE±		
			X. XX±0.15			
			X. XXX±0.05			
B0	NEW RELEASE	2006.05.31				1.25mm PITCH 180° SINGLE ROW WAFER
REV.	DESCRIPTION	DATE				
						DRAW NO. :
						A1252WV-XP
						REV. B0

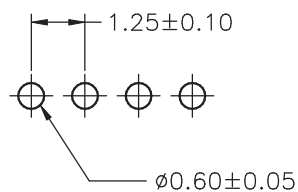
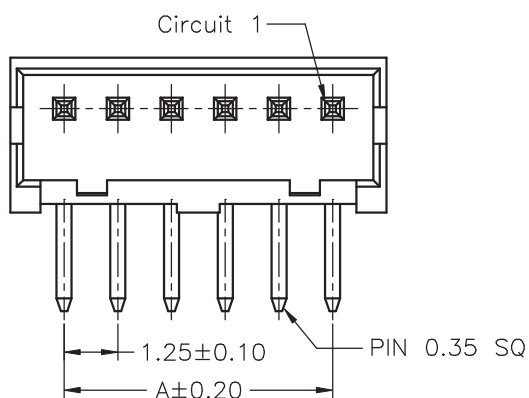


SPECIFICATIONS

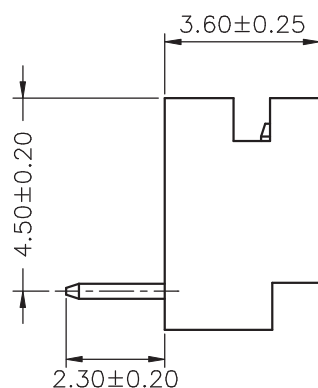
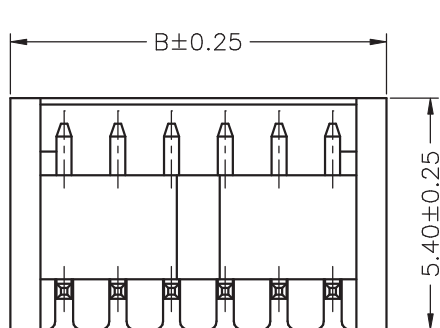
Current Rating: 1A AC,DC
 Voltage Rating: 150V AC,DC
 Temperature Range: -25°C ~ +85°C
 Contact Resistance: 30mΩ Max.
 Insulation Resistance: 500MΩ Min.
 Withstanding Voltage: 500V AC/minute
 Pin Material: Brass/Tin-plated
 Material: Nylon 66,UL94V-0
 Pantone Color: 7529C~7530C

Ordering Information & Dimensions

PART NO.	Dimensions	
	A	B
A1252WR-02P	1.25	3.75
A1252WR-03P	2.50	5.00
A1252WR-04P	3.75	6.25
A1252WR-05P	5.00	7.50
A1252WR-06P	6.25	8.75
A1252WR-07P	7.50	10.00
A1252WR-08P	8.75	11.25
A1252WR-09P	10.00	12.50
A1252WR-10P	11.25	13.75
A1252WR-11P	12.50	15.00
A1252WR-12P	13.75	16.25
A1252WR-13P	15.00	17.50
A1252WR-14P	16.25	18.75
A1252WR-15P	17.50	20.00

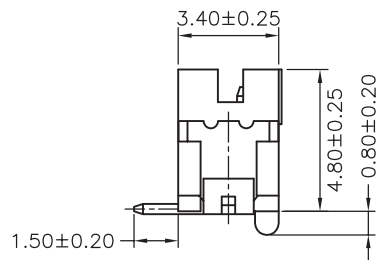
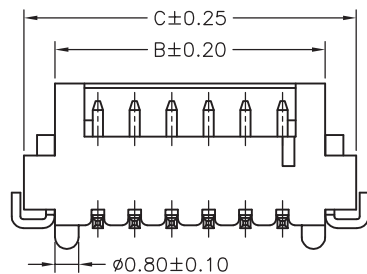
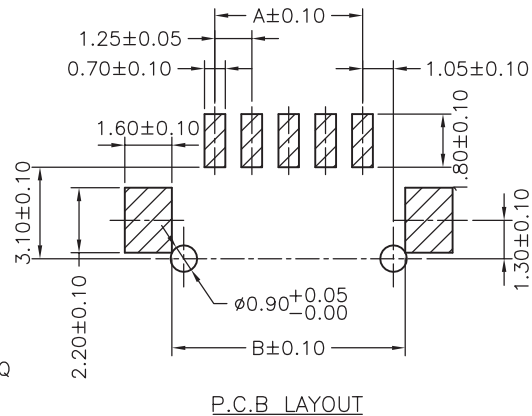
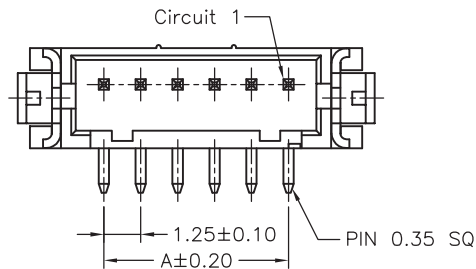
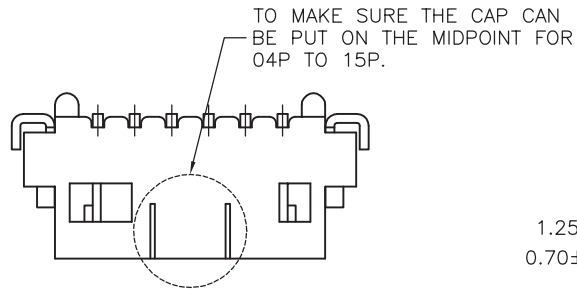
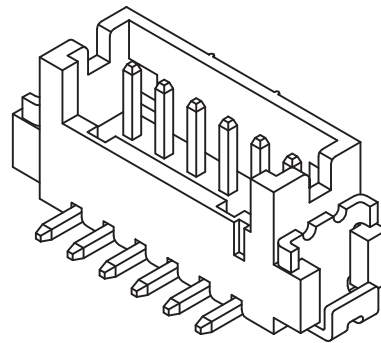
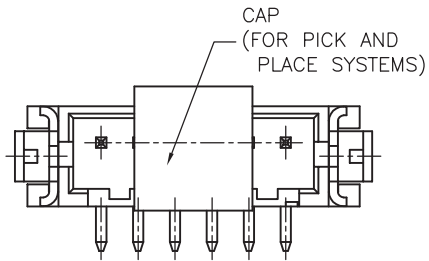


P.C.B LAYOUT



广瑞电子科技有限公司

			UNIT	SCALE	SHEET	TITLE:
			mm		1 of 1	
			DRAWN BY	APPROVED BY		
			SUSAN	HENLY		
			2001.02.01	2001.02.01		
			GENERAL TOLERANCE			
			X. X±0.25	ANGLE±		
			X. XX±0.15			
			X. XXX±0.05			
B0	NEW RELEASE	2006.05.31				1.25mm PITCH 90° SINGLE ROW WAFER
REV.	DESCRIPTION	DATE				
						DRAW NO. : A1252WR-XP
						REV. B0



SPECIFICATIONS

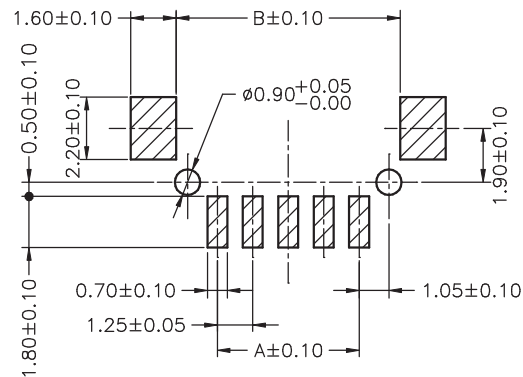
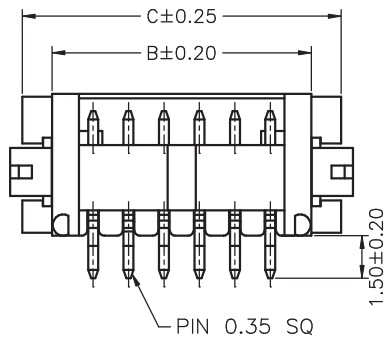
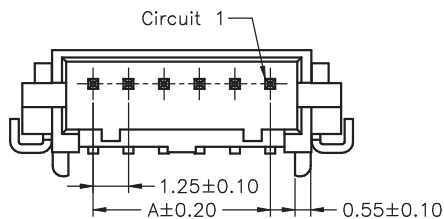
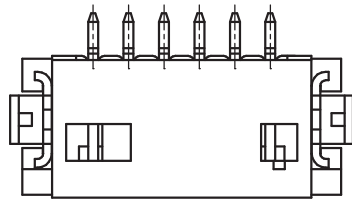
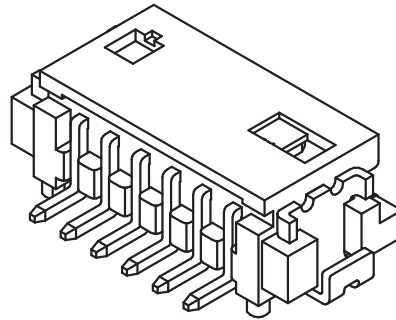
Current Rating: 1A AC,DC
 Voltage Rating: 150V AC,DC
 Temperature Range: -25°C ~ +85°C
 Contact Resistance: 30mΩ Max.
 Insulation Resistance: 500MΩ Min.
 Withstanding Voltage: 500V AC/minute
 Pin Material: Brass/Gold-flash
 Solder Tabs: Phosphor Bronze/Gold-flash
 Cap: Nylon 6T,UL94V-0,Natural(Beige)
 Wafer: Nylon 6T,UL94V-0
 Color: Natural(Beige)

Ordering Information & Dimensions

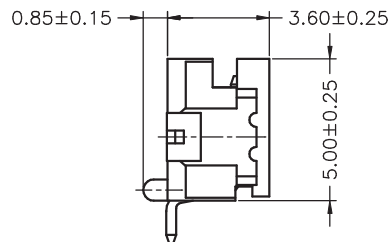
PART NO.	Dimensions		
	A	B	C
A1252WV-SF-02PD01	1.25	4.15	6.25
A1252WV-SF-03PD01	2.50	5.40	7.50
A1252WV-SF-04PD01	3.75	6.65	8.75
A1252WV-SF-05PD01	5.00	7.90	10.00
A1252WV-SF-06PD01	6.25	9.15	11.25
A1252WV-SF-07PD01	7.50	10.40	12.50
A1252WV-SF-08PD01	8.75	11.65	13.75
A1252WV-SF-09PD01	10.00	12.90	15.00
A1252WV-SF-10PD01	11.25	14.15	16.25
A1252WV-SF-11PD01	12.50	15.40	17.50
A1252WV-SF-12PD01	13.75	16.65	18.75
A1252WV-SF-13PD01	15.00	17.90	20.00
A1252WV-SF-14PD01	16.25	19.15	21.25
A1252WV-SF-15PD01	17.50	20.40	22.50

				广瑞电子科技有限公司	
		UNIT	SCALE	SHEET	TITLE :
		mm		1 of 2	
		DRAWN BY	APPROVED BY		
		SUSAN	HENLY		
		2006.05.31	2006.05.31		
		GENERAL TOLERANCE			
		X X ± .25	ANGLE ±		
A0	NEW RELEASE	2006.05.31	X XX ± .15	DRAW NO. : A1252WV-SF-XPD01	
REV.	DESCRIPTION	DATE	X XXX ± .05		

1 25mm PITCH
 180 SINGLE ROW WAFER -
 SMT TYPE



P.C.B. LAYOUT



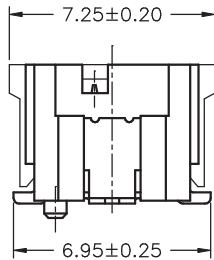
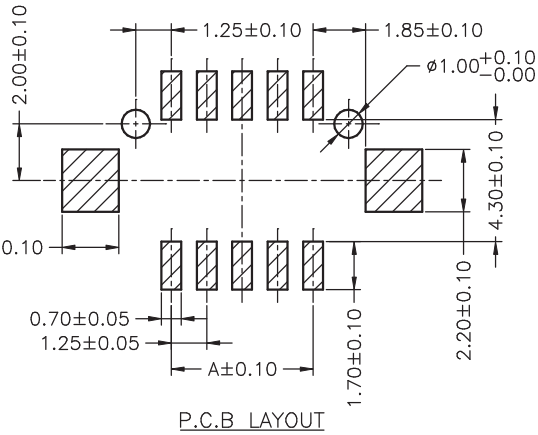
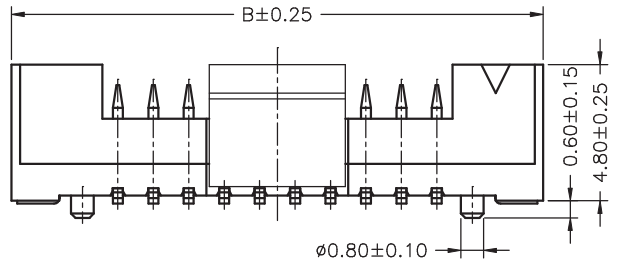
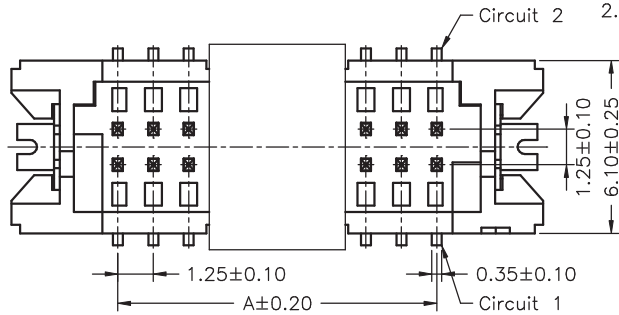
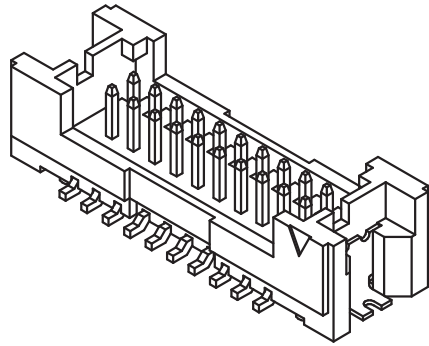
SPECIFICATIONS

Current Rating: 1A AC,DC
 Voltage Rating: 150V AC,DC
 Temperature Range: -25°C ~ +85°C
 Contact Resistance: 30mΩ Max.
 Insulation Resistance: 500MΩ Min.
 Withstanding Voltage: 500V AC/minute
 Pin Material: Brass/Tin-plated
 Solder Tabs: Phosphor Bronze/Tin-plated
 Material: Nylon 6T,UL94V-0
 Color: Natural(Beige)

Ordering Information & Dimensions

PART NO.	Dimensions		
	A	B	C
A1252WR-SF-02P	1.25	4.15	6.25
A1252WR-SF-03P	2.50	5.40	7.50
A1252WR-SF-04P	3.75	6.65	8.75
A1252WR-SF-05P	5.00	7.90	10.00
A1252WR-SF-06P	6.25	9.15	11.25
A1252WR-SF-07P	7.50	10.40	12.50
A1252WR-SF-08P	8.75	11.65	13.75
A1252WR-SF-09P	10.00	12.90	15.00
A1252WR-SF-10P	11.25	14.15	16.25
A1252WR-SF-11P	12.50	15.40	17.50
A1252WR-SF-12P	13.75	16.65	18.75
A1252WR-SF-13P	15.00	17.90	20.00
A1252WR-SF-14P	16.25	19.15	21.25
A1252WR-SF-15P	17.50	20.40	22.50

广瑞电子科技有限公司					
UNIT	SCALE	SHEET	TITLE:		
mm		1 of 2	1.25mm PITCH 90° SINGLE ROW WAFER- SMT TYPE		
DRAWN BY	APPROVED BY	DRAW NO. :			
HENLY	SUSAN	A1252WR-SF-XP			
2006.05.31	2006.05.31	REV. A0			
GENERAL TOLERANCE			REV. A0		
X. X±0.25	ANGLE±				
X. XX±0.15	⚠				
X. XXX±0.05					
A0	NEW RELEASE	2006.05.31			
REV.	DESCRIPTION	DATE			



SPECIFICATIONS

Current Rating: 1A AC,DC
 Voltage Rating: 150V AC,DC
 Temperature Range: -25°C ~ +85°C
 Contact Resistance: 30mΩ Max.
 Insulation Resistance: 500MΩ Min.
 Withstanding Voltage: 500V AC/minute
 Pin Material: Brass/Gold-flash
 Solder Tabs: Brass/Tin-plated
 Cap: Nylon 6T,UL94V-0,Natural(Beige)
 Wafer: Nylon 6T,UL94V-0
 Color: Natural(Beige)

Ordering Information & Dimensions

PART NO.	Dimensions	
	A	B
A1252WV-SF-2X05P	5.00	12.50
A1252WV-SF-2X07P	7.50	15.00
A1252WV-SF-2X10P	11.25	18.75
A1252WV-SF-2X15P	17.50	25.00
A1252WV-SF-2X20P	23.75	31.25

广瑞电子科技有限公司					
UNIT	SCALE	SHEET	TITLE:		
mm		1 of 3	1.25mm PITCH 180°DUAL ROW WAFER- SMT TYPE		
DRAWN BY	APPROVED BY	DRAW NO. :			
李勤	SUSAN	A1252WV-SF-2XNP			
2006.05.31	2006.05.31	REV. A0			
GENERAL TOLERANCE			REV. A0		
X. X±0.25	ANGLE±				
X. XX±0.15					
X. XXX±0.05					
A0	NEW RELEASE	2006.05.31			
REV.	DESCRIPTION	DATE			