

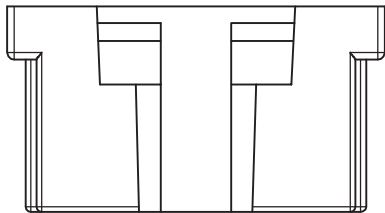
SPECIFICATIONS

Current Rating: 1A AC,DC
 Voltage Rating: 150V AC,DC
 Temperature Range: -25°C ~ +85°C
 Contact Resistance: 30mΩ Max.
 Insulation Resistance: 500MΩ Min.
 Withstanding Voltage: 500V AC/minute
 Material: Nylon 66,UL94V-0
 Pantone color: 7529C

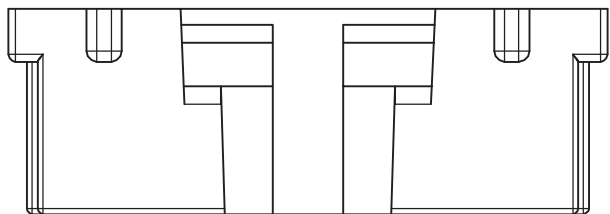
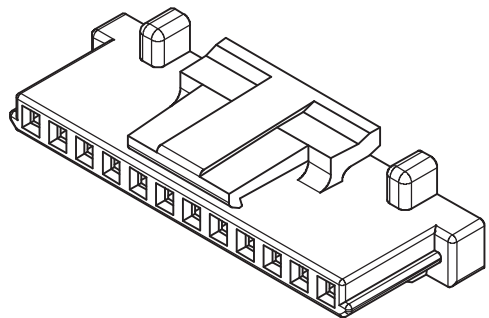
Ordering Information & Dimensions

PART NO.	Dimensions	
	A	B
A1253H-2P	1.25	4.35
A1253H-3P	2.50	5.60
A1253H-4P	3.75	6.85
A1253H-5P	5.00	8.10
A1253H-6P	6.25	9.35
A1253H-7P	7.50	10.60
A1253H-8P	8.75	11.85
A1253H-9P	10.00	13.10
A1253H-10P	11.25	14.35
A1253H-11P	12.50	15.60
A1253H-12P	13.75	16.85
A1253H-13P	15.00	18.10
A1253H-14P	16.25	19.35
A1253H-15P	17.50	20.60
A1253H-20P	23.75	26.85
A1253H-25P	30.00	33.10
A1253H-30P	36.25	39.35

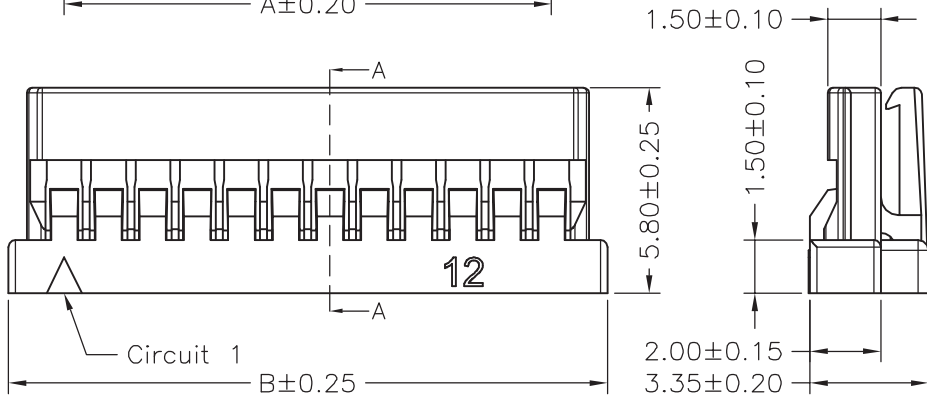
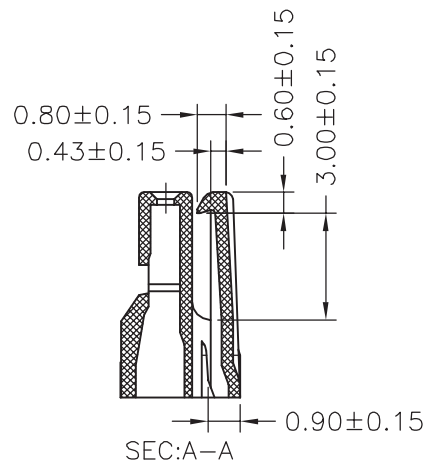
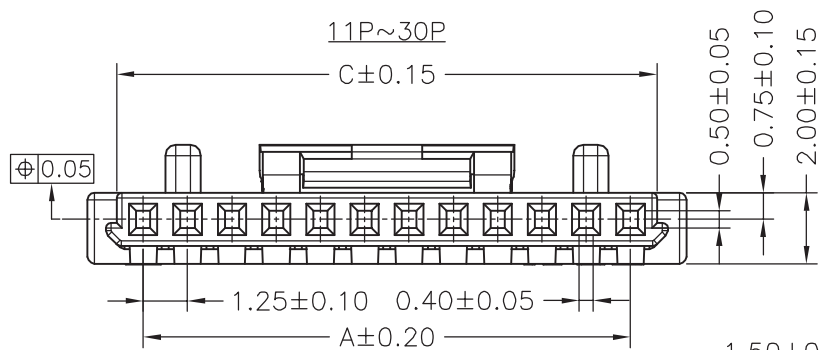
广瑞电子科技有限公司						
UNIT	SCALE	SHEET	TITLE:			
mm		1 of 1	1.25mm PITCH HOUSING ULTRA LOW PROFILE			
DRAWN BY	APPROVED BY				DRAW NO. : A1253H-XP	REV. B0
SUSAN 2001.02.01	HENLY 2001.02.01					
GENERAL TOLERANCE						
B0	RELEASE	2005.12.08	X. X±0.25	ANGLE±		
REV.	DESCRIPTION	DATE	X. XX±0.15	⊕		
			X. XXX±0.05			



02P~10P



11P~30P



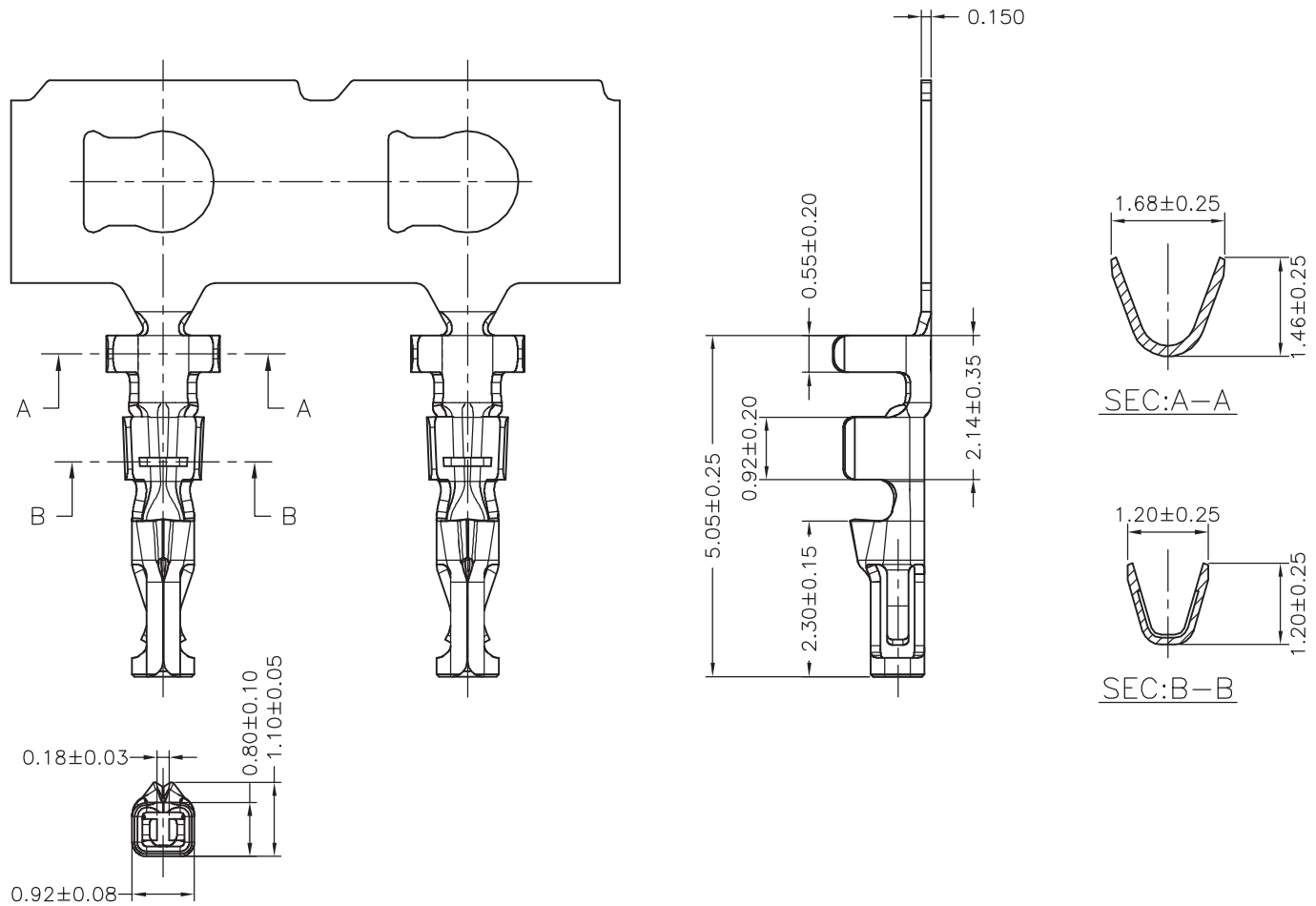
SPECIFICATIONS

Current Rating: 1A AC,DC
 Voltage Rating: 150V AC,DC
 Temperature Range: $-25^{\circ}\text{C} \sim +85^{\circ}\text{C}$
 Contact Resistance: 20m Ω Max.
 Insulation Resistance: 500M Ω Min.
 Withstanding Voltage: 500V AC/minute
 Material: Nylon 66,UL94V-0
 Color: Natural(White)

Ordering Information & Dimensions

PART NO.	Dimensions		
	A	B	C
A1253HA-02P	1.25	4.40	2.75
A1253HA-03P	2.50	5.65	4.00
A1253HA-04P	3.75	6.90	5.25
A1253HA-05P	5.00	8.15	6.50
A1253HA-06P	6.25	9.40	7.75
A1253HA-07P	7.50	10.65	9.00
A1253HA-08P	8.75	11.90	10.25
A1253HA-09P	10.00	13.15	11.50
A1253HA-10P	11.25	14.40	12.75
A1253HA-11P	12.50	15.65	14.00
A1253HA-12P	13.75	16.90	15.25
A1253HA-13P	15.00	18.15	16.50
A1253HA-14P	16.25	19.40	17.75
A1253HA-15P	17.50	20.65	19.00
A1253HA-20P	23.75	26.90	25.25
A1253HA-25P	30.00	33.15	31.50
A1253HA-30P	36.25	39.40	37.75

广瑞电子科技有限公司				
UNIT	SCALE	SHEET	TITLE:	
mm		1 of 1	1.25mm PITCH HOUSING-LOCK TYPE	
DRAWN BY		APPROVED BY		
A4	REVISE	2009.07.03	SUSAN	HENLY
A3	REVISE	2009.06.08	2007.12.23	2007.12.23
A2	REVISE	2008.09.29	GENERAL TOLERANCE	
A1	REVISE	2008.07.14	X.X \pm 0.25	ANGLE \pm
A0	NEW RELEASE	2007.12.23	X.XX \pm 0.15	
REV.	DESCRIPTION	DATE	X.XXX \pm 0.05	
DRAW NO.:			REV.:	
A1253HA-XP			A4	

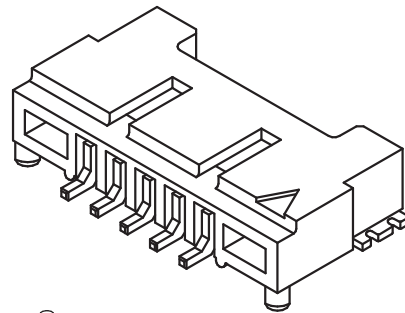


Ordering Information & Specifications

Part No	Wire Range	Insulation O.D.	Material	Finish	Qty/reel
A1253-GPE-A	AWG#28-#32	0.90mm(max)	Phosphor Bronze	Gold-flash	15,000pcs
A1253-TPE-A	AWG#28-#32	0.90mm(max)	Phosphor Bronze	Tin-plated	15,000pcs

Note:E-Stamping before Gold-flash or Tin-plated

			广瑞电子科技有限公司		
			UNIT	SCALE	SHEET
			mm		1 of 1
			DRAWN BY		APPROVED BY
			SUSAN		HELNY
A3	REVISE	2009. 07. 03	2007. 12. 23	2007. 12. 23	
A2	REVISE	2008. 12. 23	GENERAL TOLERANCE		
A1	REVISE	2008. 01. 08	X. X±0. 25	ANGLE±	
A0	NEW RELEASE	2007. 12. 23	X. XX±0. 15		
REV.	DESCRIPTION	DATE	X. XXX±0. 05		
					TITLE:
					1. 25mm PITCH CRIMP TERMINAL
DRAW NO. :					REV.
A1253-XX-A					A3

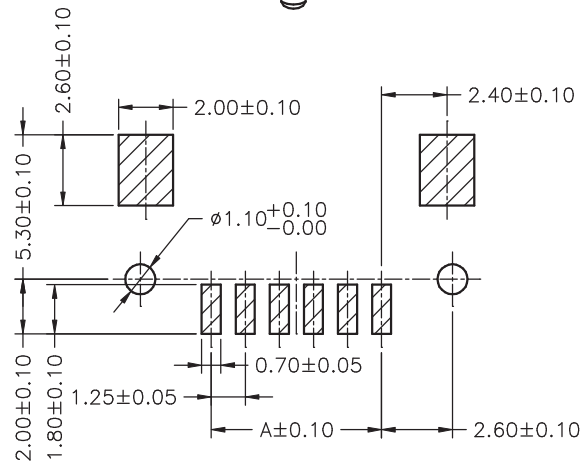
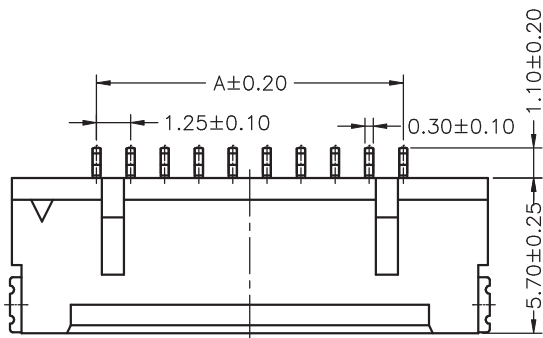


SPECIFICATIONS

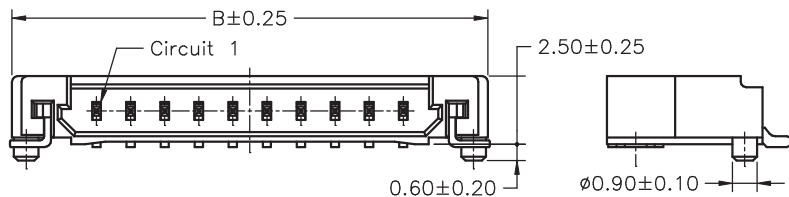
Current Rating: 1A AC,DC
 Voltage Rating: 150V AC,DC
 Temperature Range: -25°C ~ +85°C
 Contact Resistance: 30mΩ Max.
 Insulation Resistance: 500MΩ Min.
 Withstanding Voltage: 500V AC/minute
 Pin Material: Brass/Tin-plated
 Solder Tabs: Brass/Tin-plated
 Material: Nylon 6T,UL94V-0
 Color: Natural(Beige)

Ordering Information & Dimensions

PART NO.	Dimensions	
	A	B
A1253WR-SF-2P	1.25	7.45
A1253WR-SF-3P	2.50	8.70
A1253WR-SF-4P	3.75	9.95
A1253WR-SF-5P	5.00	11.20
A1253WR-SF-6P	6.25	12.45
A1253WR-SF-7P	7.50	13.70
A1253WR-SF-8P	8.75	14.95
A1253WR-SF-9P	10.00	16.20
A1253WR-SF-10P	11.25	17.45
A1253WR-SF-11P	12.50	18.70
A1253WR-SF-12P	13.75	19.95
A1253WR-SF-13P	15.00	21.20
A1253WR-SF-14P	16.25	22.45
A1253WR-SF-15P	17.50	23.70
A1253WR-SF-20P	23.75	29.95
A1253WR-SF-25P	30.00	36.20
A1253WR-SF-30P	36.25	42.45



P.C.B. LAYOUT



广瑞电子科技有限公司					
UNIT	SCALE	SHEET	TITLE:		
mm		1 of 3	1.25mm PITCH 90° WAFER-SMT TYPE ULTRA LOW PROFILE		
DRAWN BY 陈敬全 2005.12.08		APPROVED BY SUSAN 2005.12.08			
GENERAL TOLERANCE					
A0	RELEASE	2005.12.08	X. X±0.25	ANGLE±	
REV.	DESCRIPTION	DATE	X. XX±0.15	⊕	
			X. XXX±0.05		
			DRAW NO.:	REV.	
			A1253WR-SF-XP	A0	