

SPECIFICATIONS

Current Rating: 1A AC,DC

Voltage Rating: 250V AC,DC

Temperature Range: -25°C ~ +65°C

Contact Resistance: 10mΩ Max.

Insulation Resistance: 1000MΩ Min.

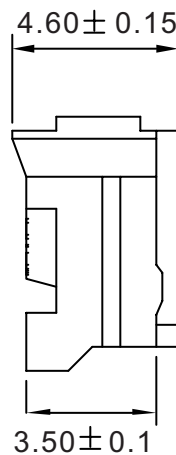
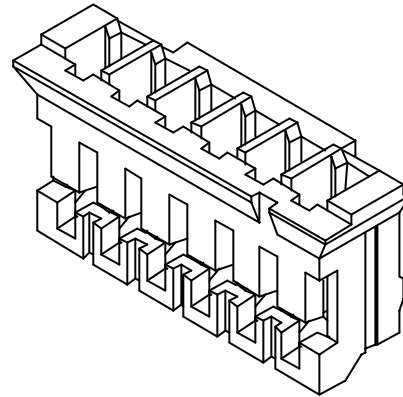
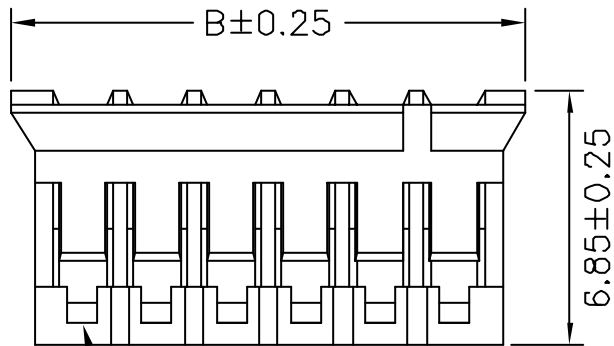
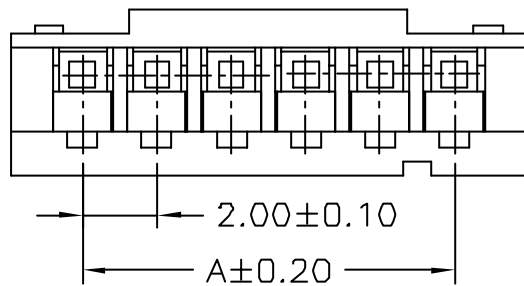
Withstanding Voltage: 800V AC/minute

Material: Nylon 66,UL94V-0

Color: Natural(White)

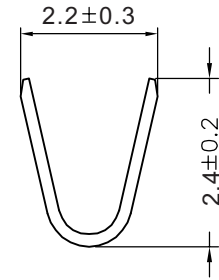
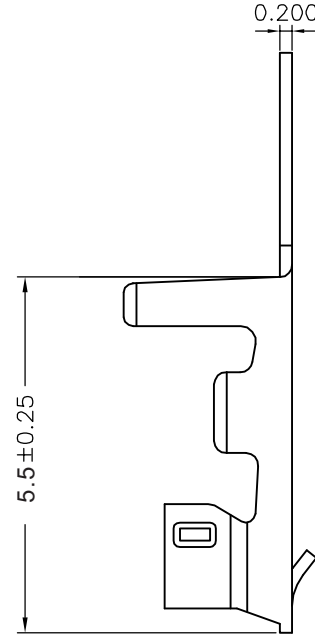
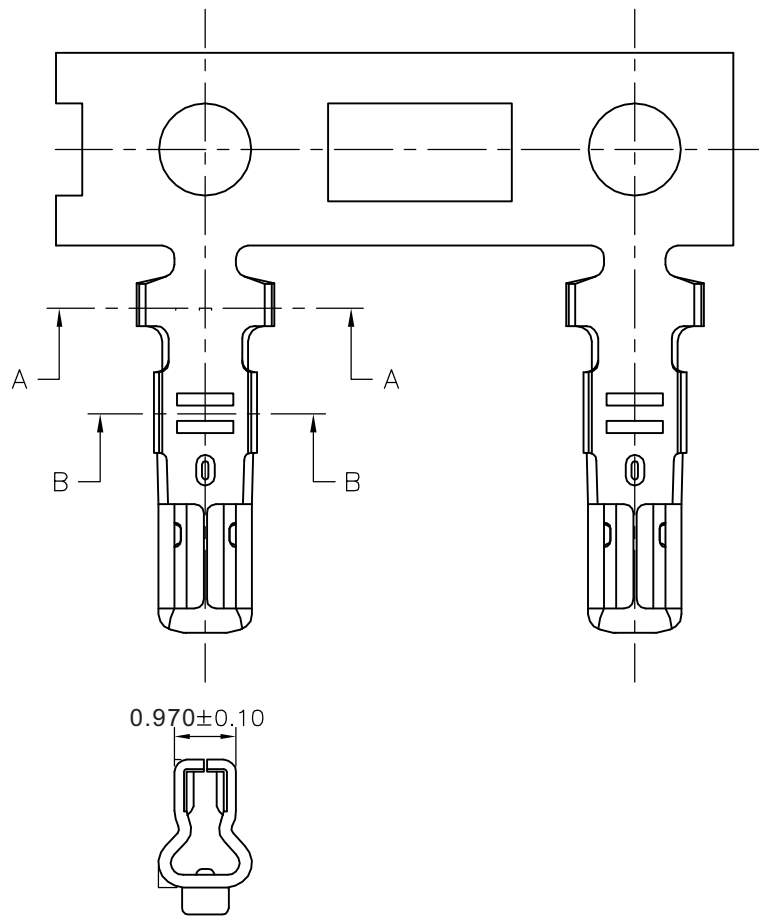
Ordering Information & Dimensions

PART NO.	Dimensions	
	A	B
A2001H-02P	2.00	5.80
A2001H-03P	4.00	7.80
A2001H-04P	6.00	9.80
A2001H-05P	8.00	11.80
A2001H-06P	10.00	13.80
A2001H-07P	12.00	15.80
A2001H-08P	14.00	17.80
A2001H-09P	16.00	19.80
A2001H-10P	18.00	21.80
A2001H-11P	20.00	23.80
A2001H-12P	22.00	25.80
A2001H-13P	24.00	27.80
A2001H-14P	26.00	29.80
A2001H-15P	28.00	31.80
A2001H-16P	30.00	33.80
A2001H-17P	32.00	35.80
A2001H-18P	34.00	37.80

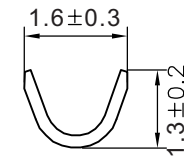


广瑞电子科技有限公司

UNIT	SCALE	SHEET	TITLE:
mm		1 of 1	2.00mm PITCH HOUSING
DRAWN BY	APPROVED BY		
SUSAN	HENLY		
2001.02.01	2001.02.01		
GENERAL TOLERANCE			
B1	REVISE	2006.09.02	X.X ₁ ±0.25
B0	NEW RELEASE	2006.07.21	X.XX ₁ ±0.15
REV.	DESCRIPTION	DATE	X.XXX ₁ ±0.05
			ANGLE 0
			DRAW NO.: A2001H-XP
			REV. B1



SEC:A-A

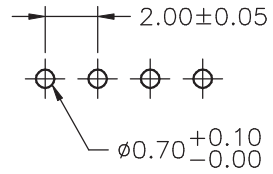
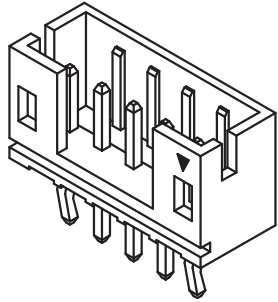


SEC:B-B

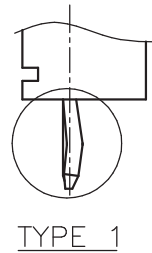
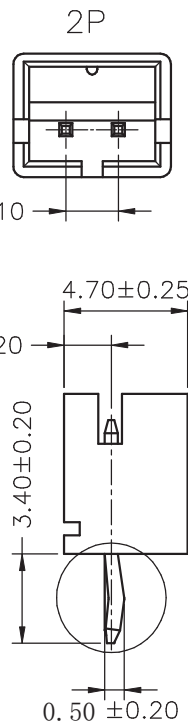
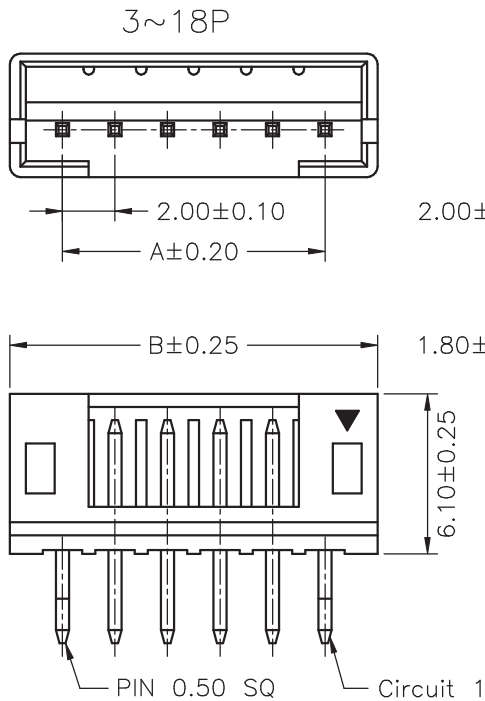
Ordering Information & Specifications

Part No.	Wire Range	Insulation O.D.	Material	Finish	Qty/reel
A2001-TPE	AWG#24-#32	1.50mm(max)	Phosphor Bronze	Tin-plated	10,000pcs

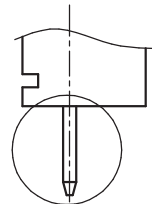
						广瑞电子科技有限公司							
						UNIT	SCALE	SHEET	TITLE :				
						mm		1 of 1					
						DRAWN BY SUSAN		APPROVED BY HENLY		2.00mm PITCH CRIMP TERMINAL			
						2001.02.01		2001.02.01					
						GENERAL TOLERANCE							
B2	REVISE	2007.04.25											
B1	REVISE	2006.09.02	X X ±0.25	ANGLE ±									
B0	NEW RELEASE	2006.07.21	X XX ±0.15										
REV .	DESCRIPTION	DATE	X XXX ±0.05										
									DRAW NO . : A2001-XX		REV . B2		



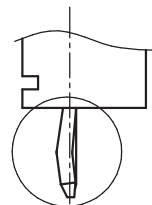
P.C.B. LAYOUT



TYPE 1



TYPE 3



TYPE 2

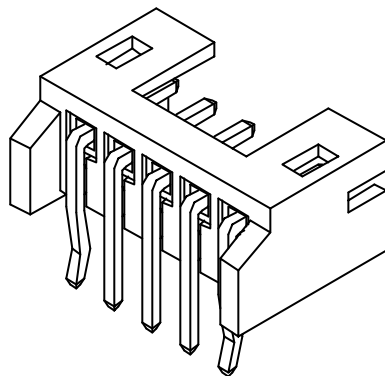
SPECIFICATIONS

Current Rating: 2A AC,DC
 Voltage Rating: 100V AC,DC
 Temperature Range: -25°C ~ +85°C
 Contact Resistance: 10mΩ Max.
 Insulation Resistance: 1000MΩ Min.
 Withstanding Voltage: 800V AC/minute
 Pin Material: Brass/Tin-plated
 Material: Nylon 66,UL94V-0
 Color: Natural(Black)

Ordering Information & Dimensions

PART NO.	Dimensions	
	A	B
A2001WV-2P	2.00	6.00
A2001WV-3P	4.00	8.00
A2001WV-4P	6.00	10.00
A2001WV-5P	8.00	12.00
A2001WV-6P	10.00	14.00
A2001WV-7P	12.00	16.00
A2001WV-8P	14.00	18.00
A2001WV-9P	16.00	20.00
A2001WV-10P	18.00	22.00
A2001WV-11P	20.00	24.00
A2001WV-12P	22.00	26.00
A2001WV-13P	24.00	28.00
A2001WV-14P	26.00	30.00
A2001WV-15P	28.00	32.00
A2001WV-16P	30.00	34.00
A2001WV-17P	32.00	36.00
A2001WV-18P	34.00	38.00

				广瑞电子科技有限公司	
		UNIT	SCALE	SHEET	TITLE:
		mm		1 of 1	2.00mm PITCH 180° WAFER
		DRAWN BY SUSAN 2006.02.24	APPROVED BY HENLY 2006.02.24		
		GENERAL TOLERANCE			
		X. X±0.25	ANGLE±		
A0	NEW RELEASE	2006.02.24	X. XX±0.15	DRAW NO. : A2001WV-XPXBK	
REV.	DESCRIPTION	DATE	X. XXX±0.05		

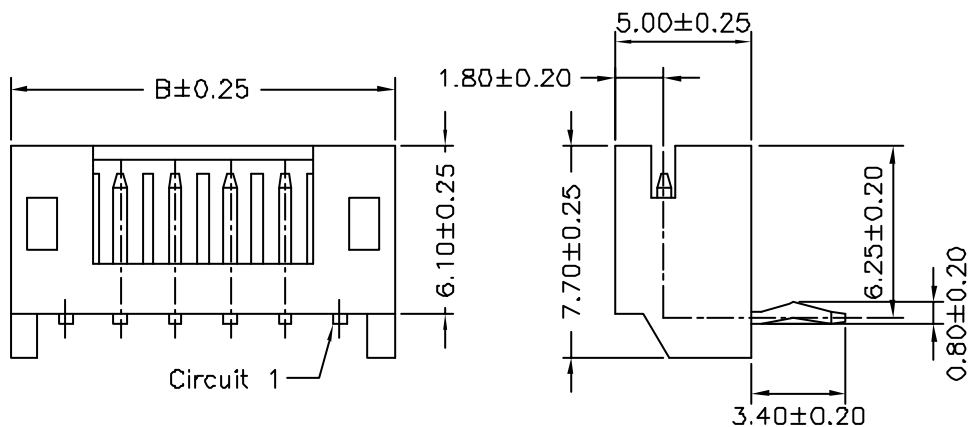
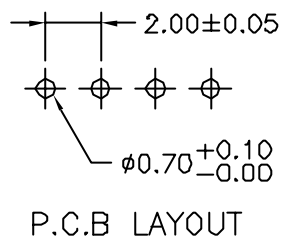
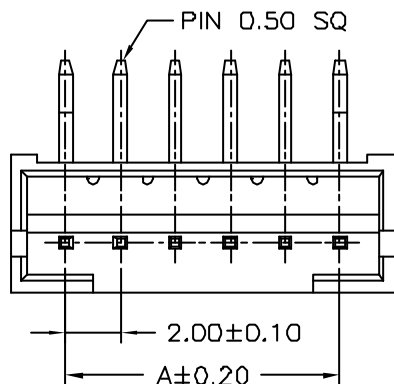


SPECIFICATIONS

Current Rating: 2A AC,DC
 Voltage Rating: 100V AC,DC
 Temperature Range: -25°C ~ +85°C
 Contact Resistance: 10mΩ Max.
 Insulation Resistance: 1000MΩ Min.
 Withstanding Voltage: 800V AC/minute
 Pin Material: Brass/Tin-plated
 Material: Nylon 66,UL94V-0
 Color: Natural(White)

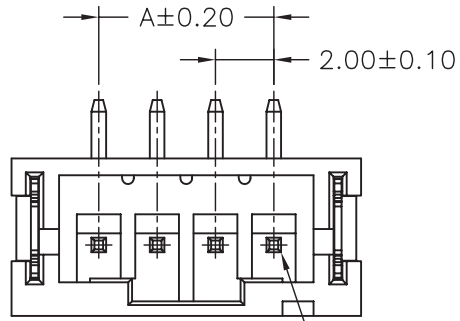
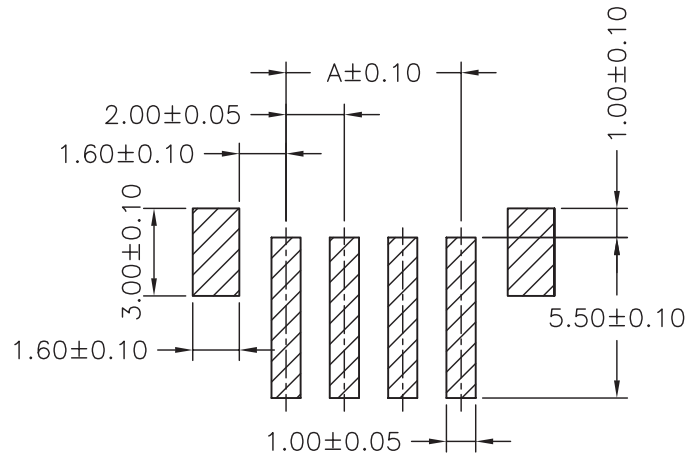
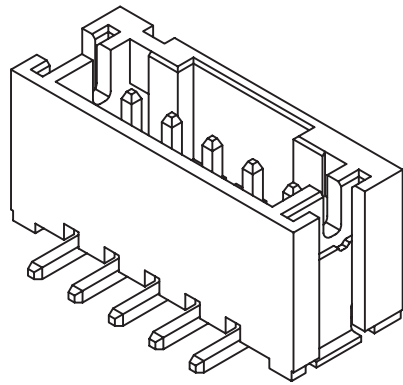
Ordering Information & Dimensions

PART NO.	Dimensions	
	A	B
A2001WR-02P	2.00	6.00
A2001WR-03P	4.00	8.00
A2001WR-04P	6.00	10.00
A2001WR-05P	8.00	12.00
A2001WR-06P	10.00	14.00
A2001WR-07P	12.00	16.00
A2001WR-08P	14.00	18.00
A2001WR-09P	16.00	20.00
A2001WR-10P	18.00	22.00
A2001WR-11P	20.00	24.00
A2001WR-12P	22.00	26.00
A2001WR-13P	24.00	28.00
A2001WR-14P	26.00	30.00
A2001WR-15P	28.00	32.00
A2001WR-16P	30.00	34.00
A2001WR-17P	32.00	36.00
A2001WR-18P	34.00	38.00

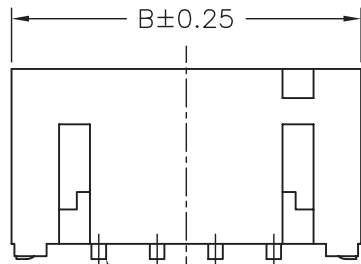


广瑞电子科技有限公司

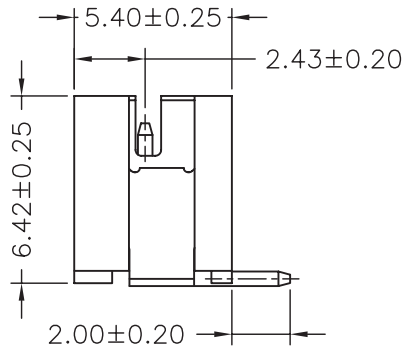
UNIT		SCALE	SHEET	TITLE:
mm			1 of 1	2.00mm PITCH 90° WAFER, TYPE 1
DRAWN BY SUSAN 2006.07.21		APPROVED BY HENLY 2006.07.21		
GENERAL TOLERANCE				
A1	REVISE	2006.09.02	X.X _i ±0.25	ANGLE: 0°
A0	NEW RELEASE	2006.07.21	X.XX _i ±0.15	DRAW NO.: A2001WR-XP1
REV.	DESCRIPTION	DATE	X.XXX _i ±0.05	



Circuit 1



PIN 0.50 SQ



PCB LAYOUT

SPECIFICATIONS

Current Rating: 2A AC,DC
 Voltage Rating: 100V AC,DC
 Temperature Range: -25°C ~ +85°C
 Contact Resistance: 10mΩ Max.
 Insulation Resistance: 1000MΩ Min.
 Withstanding Voltage: 800V AC/minute
 Pin Material: Brass/Tin-plated
 Solder Tabs: Brass/Tin-plated
 Material: Nylon 6T,UL94V-0
 Color: Natural(Beige)

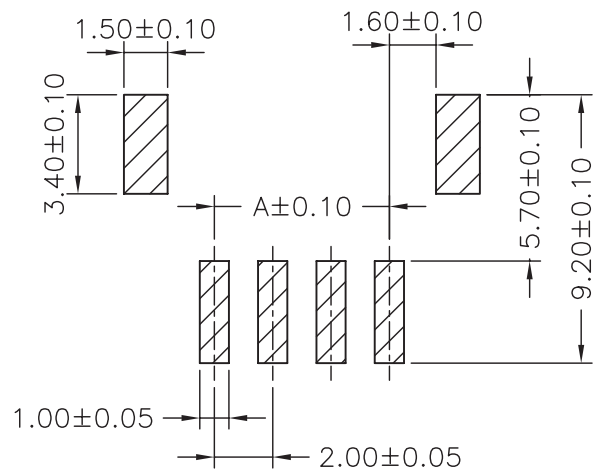
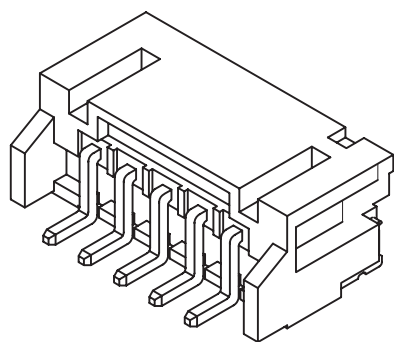
Ordering Information & Dimensions

PART NO.	Dimensions	
	A	B
A2001WV-S-02P	2.00	8.00
A2001WV-S-03P	4.00	10.00
A2001WV-S-04P	6.00	12.00
A2001WV-S-05P	8.00	14.00
A2001WV-S-06P	10.00	16.00
A2001WV-S-07P	12.00	18.00
A2001WV-S-08P	14.00	20.00
A2001WV-S-09P	16.00	22.00
A2001WV-S-10P	18.00	24.00
A2001WV-S-11P	20.00	26.00
A2001WV-S-12P	22.00	28.00
A2001WV-S-13P	24.00	30.00
A2001WV-S-14P	26.00	32.00
A2001WV-S-15P	28.00	34.00
A2001WV-S-16P	30.00	36.00

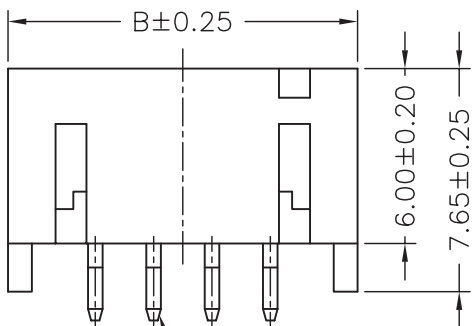
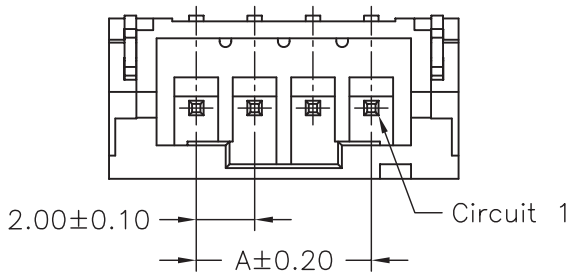
广瑞电子科技有限公司

UNIT	SCALE	SHEET	TITLE:
mm		1 of 2	
DRAWN BY	APPROVED BY		
HENLY 2005.06.28	SUSAN 2005.06.28		
GENERAL TOLERANCE			2.00mm PITCH 180° WAFER-SMT TYPE
X.X±0.25	ANGLE±		
B0	NEW RELEASE	2006.07.21	DRAW NO. : A2001WV-S-XP
REV.	DESCRIPTION	DATE	

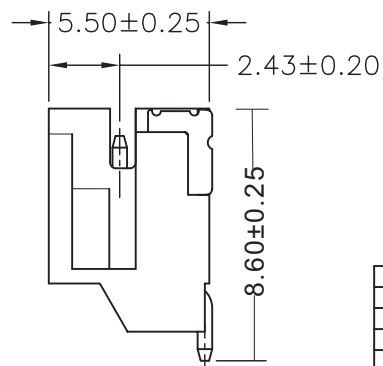
REV.
B0



PCB LAYOUT



PIN 0.50 SQ



SPECIFICATIONS

Current Rating: 2A AC,DC
 Voltage Rating: 100V AC,DC
 Temperature Range: -25°C ~ +85°C
 Contact Resistance: 10mΩ Max.
 Insulation Resistance: 1000MΩ Min.
 Withstanding Voltage: 800V AC/minute
 Pin Material: Brass/Tin-plated
 Solder Tabs: Brass/Tin-plated
 Material: Nylon 6T,UL94V-0
 Color: Natural(Beige)

Ordering Information & Dimensions

PART NO.	Dimensions	
	A	B
A2001WR-S-02P	2.00	8.00
A2001WR-S-03P	4.00	10.00
A2001WR-S-04P	6.00	12.00
A2001WR-S-05P	8.00	14.00
A2001WR-S-06P	10.00	16.00
A2001WR-S-07P	12.00	18.00
A2001WR-S-08P	14.00	20.00
A2001WR-S-09P	16.00	22.00
A2001WR-S-10P	18.00	24.00
A2001WR-S-11P	20.00	26.00
A2001WR-S-12P	22.00	28.00
A2001WR-S-13P	24.00	30.00
A2001WR-S-14P	26.00	32.00
A2001WR-S-15P	28.00	34.00
A2001WR-S-16P	30.00	36.00

广瑞电子科技有限公司

UNIT	SCALE	SHEET	TITLE:		
mm		1 of 2			
DRAWN BY	APPROVED BY				
HENLY 2005.06.28	SUSAN 2005.06.28				
GENERAL TOLERANCE			2.00mm PITCH 90° WAFER-SMT TYPE		
WANGDONG	2009.05.12	X.X±0.25		DRAW NO.:	
NEW RELEASE	2006.07.21	X.XX±0.15			
REV.	DESCRIPTION	DATE	X.XXX±0.05	A2001WR-S-XP	REV. B1