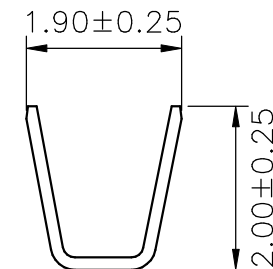
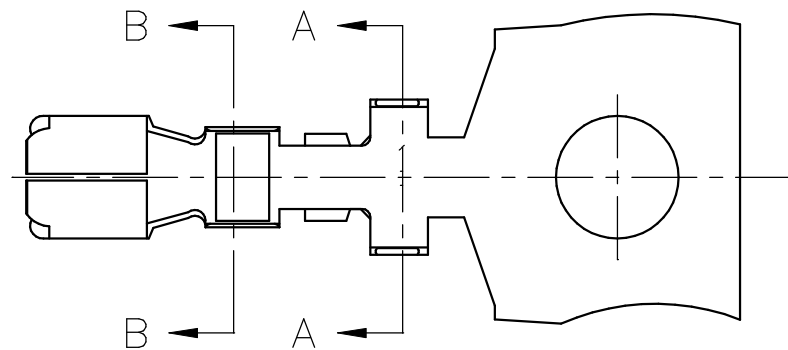


**SPECIFICATIONS**  
 Current Rating: 2A AC,DC  
 Voltage Rating: 125V AC,DC  
 Temperature Range: -25°C ~ +85°C  
 Contact Resistance: 20mΩ Max.  
 Insulation Resistance: 1000MΩ Min.  
 Withstanding Voltage: 800V AC/minute  
 Material: Nylon 66,UL94V-0  
 Color: Natural(White)

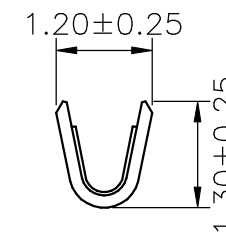
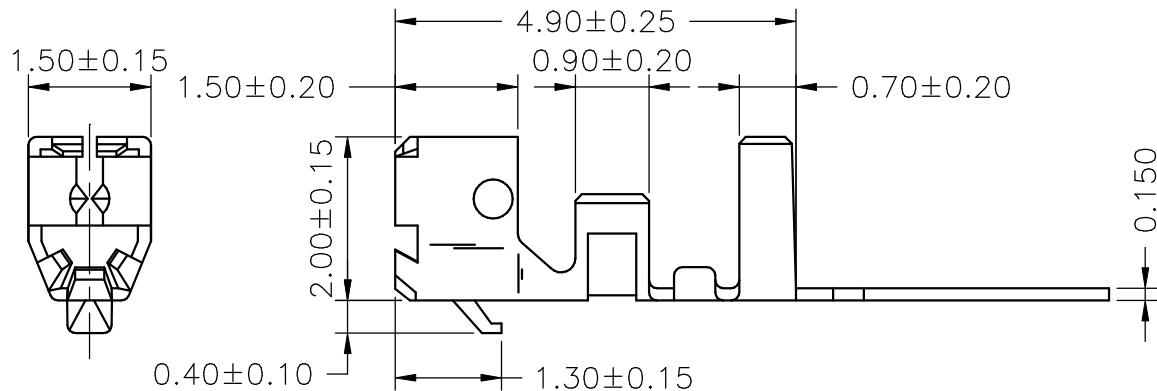
**Ordering Information & Dimensions**

PART NO.	Dimensions	
	A	B
A2002H-2P	2.00	4.90
A2002H-3P	4.00	6.90
A2002H-4P	6.00	8.90
A2002H-5P	8.00	10.90
A2002H-6P	10.00	12.90
A2002H-7P	12.00	14.90
A2002H-8P	14.00	16.90
A2002H-9P	16.00	18.90
A2002H-10P	18.00	20.90
A2002H-11P	20.00	22.90
A2002H-12P	22.00	24.90
A2002H-13P	24.00	26.90
A2002H-14P	26.00	28.90
A2002H-15P	28.00	30.90

<b>广瑞电子科技有限公司</b>					
UNIT	SCALE	SHEET	TITLE:		
mm		1 of 1	<b>2.00mm PITCH HOUSING</b>		
DRAWN BY	APPROVED BY				
SUSAN	HENLY				
2001.02.01	2001.02.01				
GENERAL TOLERANCE					
		X. X±0.25	ANGLE±		
B0	NEW RELEASE	2005.12.05	X. XX±0.15		
REV.	DESCRIPTION	DATE	X. XXX±0.05	DRW NO. : A2002H-XP	REV. B0



SEC:A-A



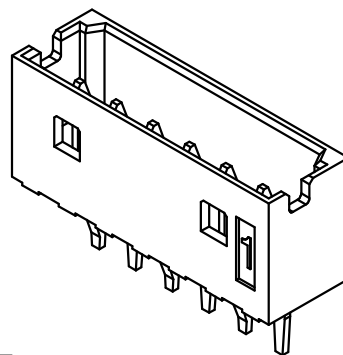
SEC:B-B

Ordering Information & Specifications

Part No	Wire Range	Insulation O.D.	Material	Finish	Qty/reel
A2002-TPe	AWG#24-#30	1.40mm(max)	Phosphor Bronze	Tin-plated	10,000pcs

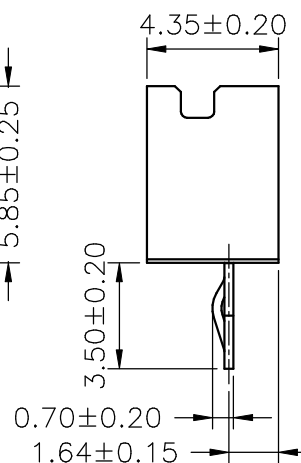
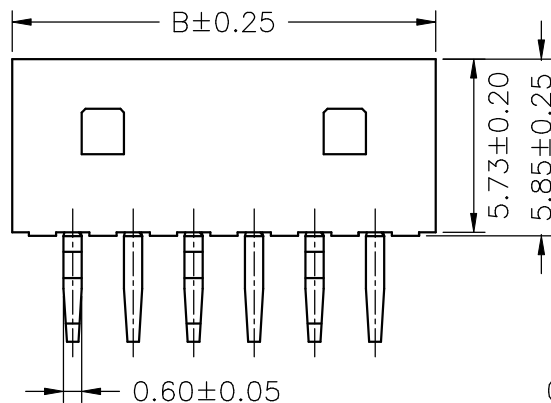
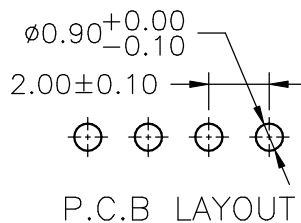
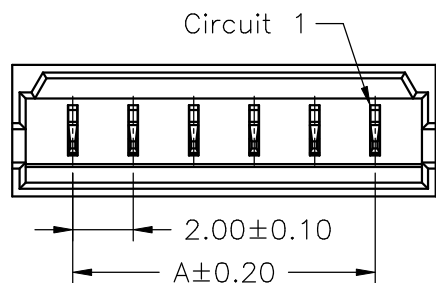
Note:e-Stamping before Tin-plated

广瑞电子科技有限公司					
			UNIT mm	SCALE	SHEET 1 of 1
			DRAWN BY SUSAN 2001.02.01	APPROVED BY HENLY 2001.02.01	TITLE:  2.00mm PITCH CRIMP TERMINAL
			GENERAL TOLERANCE		
			X. X±0.25	ANGLE±	
B0	NEW RELEASE	2005.12.05	X. XX±0.15		DRAW NO. :
REV.	DESCRIPTION	DATE	X. XXX±0.05		A2002-XX



### SPECIFICATIONS

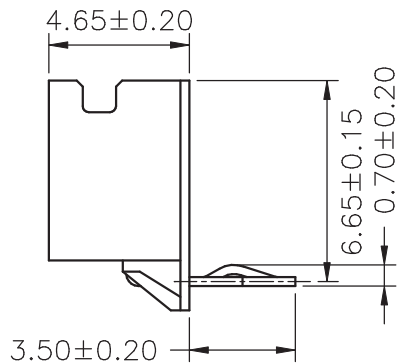
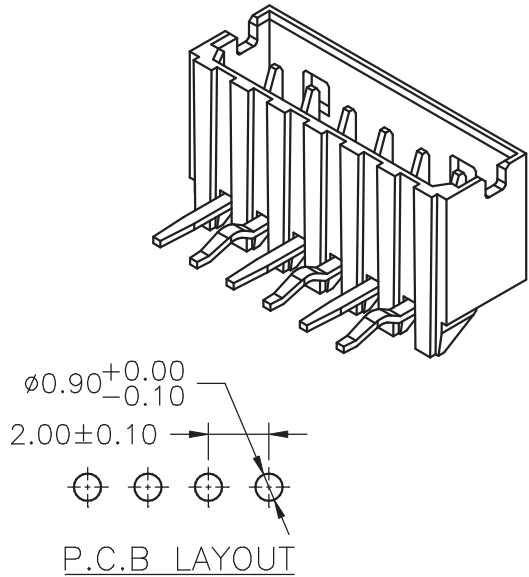
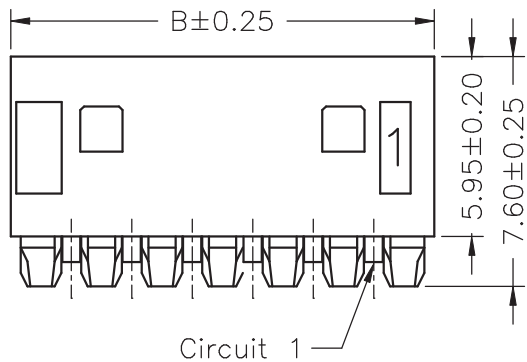
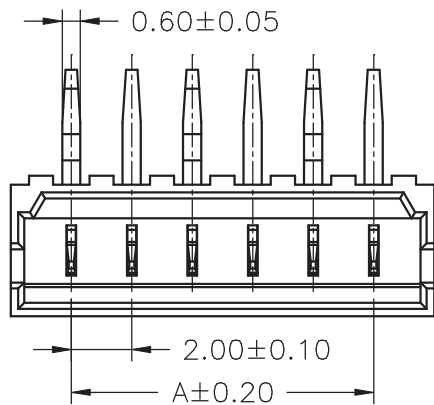
Current Rating: 2A AC,DC  
 Voltage Rating: 125V AC,DC  
 Temperature Range: -25°C ~ +85°C  
 Contact Resistance: 20mΩ Max.  
 Insulation Resistance: 1000MΩ Min.  
 Withstanding Voltage: 800V AC/minute  
 Pin Material: Phosphor Bronze/Tin-plated  
 Material: Nylon 66,UL94V-0  
 Pantone Color: 4685C



### Ordering Information & Dimensions

PART NO.	Dimensions	
	A	B
A2002WV-2P	2.00	6.00
A2002WV-3P	4.00	8.00
A2002WV-4P	6.00	10.00
A2002WV-5P	8.00	12.00
A2002WV-6P	10.00	14.00
A2002WV-7P	12.00	16.00
A2002WV-8P	14.00	18.00
A2002WV-9P	16.00	20.00
A2002WV-10P	18.00	22.00
A2002WV-11P	20.00	24.00
A2002WV-12P	22.00	26.00
A2002WV-13P	24.00	28.00
A2002WV-14P	26.00	30.00
A2002WV-15P	28.00	32.00

				<b>广瑞电子科技有限公司</b>	
		UNIT	SCALE	SHEET	TITLE:
		mm		1 of 1	<b>2.00mm PITCH 180° WAFER</b>
		DRAWN BY	APPROVED BY		
		SUSAN	HENLY		
		2004.09.07	2004.09.07		DRAW NO. : A2002WV-XP
		GENERAL TOLERANCE			
		X. X±0.25	ANGLE±		REV. B0
B0	NEW RELEASE	2005.12.05	X. XX±0.15		
REV.	DESCRIPTION	DATE	X. XXX±0.05		



**SPECIFICATIONS**  
 Current Rating: 2A AC,DC  
 Voltage Rating: 125V AC,DC  
 Temperature Range: -25°C ~ +85°C  
 Contact Resistance: 20mΩ Max.  
 Insulation Resistance: 1000MΩ Min.  
 Withstanding Voltage: 800V AC/minute  
 Pin Material: Phosphor Bronze/Tin-plated  
 Material: Nylon 66,UL94V-0  
 Pantone Color: 4685C

**Ordering Information & Dimensions**

PART NO.	Dimensions	
	A	B
A2002WR-2P	2.00	6.00
A2002WR-3P	4.00	8.00
A2002WR-4P	6.00	10.00
A2002WR-5P	8.00	12.00
A2002WR-6P	10.00	14.00
A2002WR-7P	12.00	16.00
A2002WR-8P	14.00	18.00
A2002WR-9P	16.00	20.00
A2002WR-10P	18.00	22.00
A2002WR-11P	20.00	24.00
A2002WR-12P	22.00	26.00
A2002WR-13P	24.00	28.00
A2002WR-14P	26.00	30.00
A2002WR-15P	28.00	32.00

				<b>广瑞电子科技有限公司</b>	
		UNIT	SCALE	SHEET	TITLE:
		mm		1 of 1	<b>2.00mm PITCH 90° WAFER</b>
		DRAWN BY	APPROVED BY		
		SUSAN	HENLY		
		2004.09.07	2004.09.07		DRAW NO. : A2002WR-XP
		GENERAL TOLERANCE			
		X. X±0.25	ANGLE±		REV. B0
B0	NEW RELEASE	2005.12.05	X. XX±0.15		
REV.	DESCRIPTION	DATE	X. XXX±0.05		