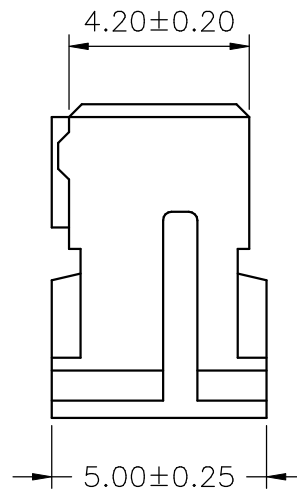
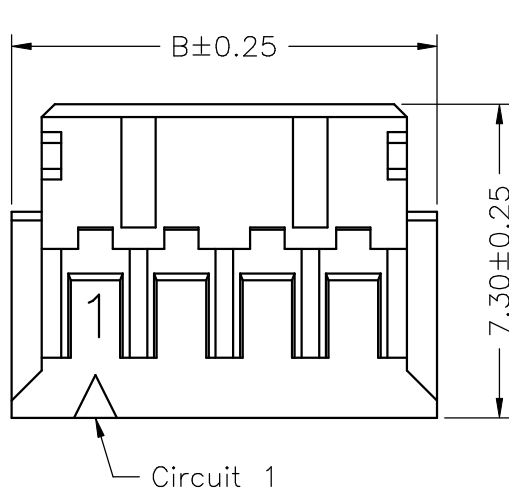
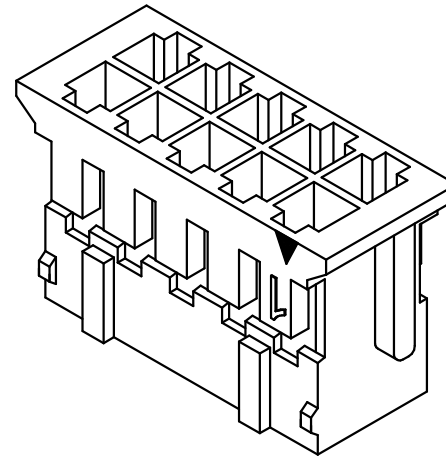
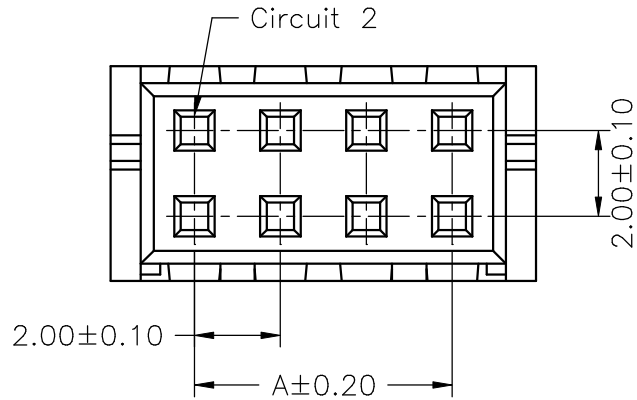


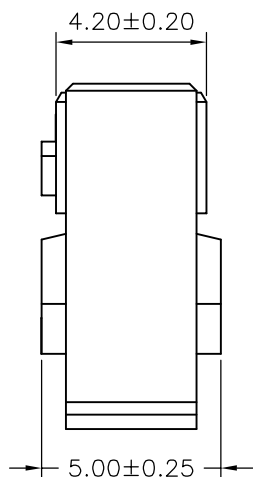
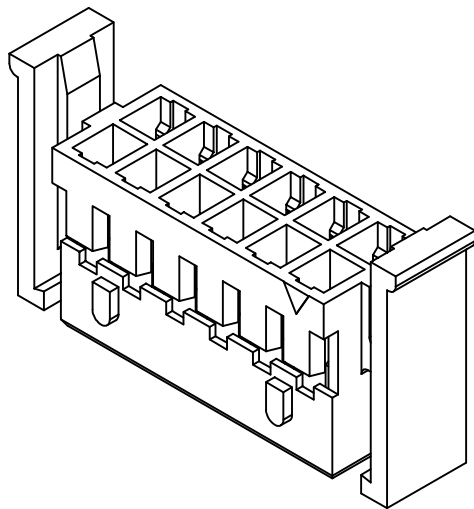
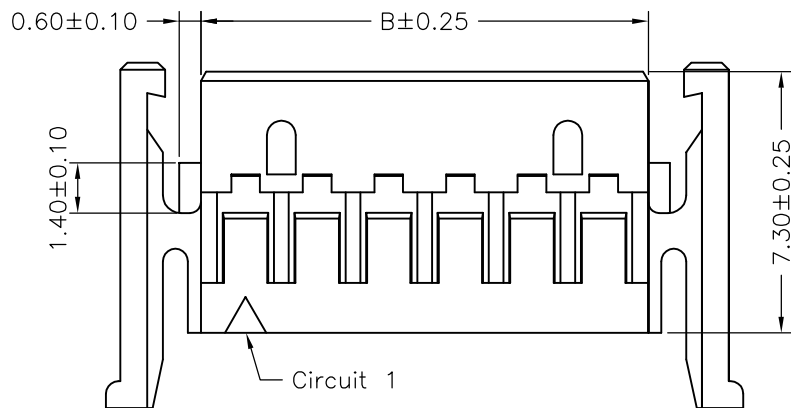
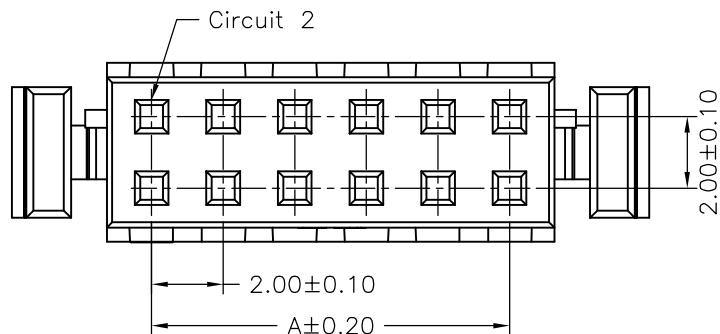
**SPECIFICATIONS**  
 Current Rating: 3A AC,DC  
 Voltage Rating: 250V AC,DC  
 Temperature Range: -25°C ~ +85°C  
 Contact Resistance: 10mΩ Max.  
 Insulation Resistance: 1000MΩ Min.  
 Withstanding Voltage: 800V AC/minute  
 Material: Nylon 66,UL94V-0  
 Color: Natural(White)

**Ordering Information & Dimensions**

PART NO.	Dimensions	
	A	B
A2004H-2X02P	2.00	5.90
A2004H-2X03P	4.00	7.90
A2004H-2X04P	6.00	9.90
A2004H-2X05P	8.00	11.90
A2004H-2X06P	10.00	13.90
A2004H-2X07P	12.00	15.90
A2004H-2X08P	14.00	17.90
A2004H-2X09P	16.00	19.90
A2004H-2X10P	18.00	21.90
A2004H-2X11P	20.00	23.90
A2004H-2X12P	22.00	25.90
A2004H-2X13P	24.00	27.90
A2004H-2X14P	26.00	29.90
A2004H-2X15P	28.00	31.90
A2004H-2X16P	30.00	33.90
A2004H-2X17P	32.00	35.90
A2004H-2X18P	34.00	37.90
A2004H-2X19P	36.00	39.90
A2004H-2X20P	38.00	41.90



<b>广瑞电子科技有限公司</b>					
UNIT	SCALE	SHEET	TITLE:		
mm		1 of 1	<b>2.00mm PITCH HOUSING</b>		
DRAWN BY SUSAN 2001.02.01		APPROVED BY HENLY 2001.02.01			
GENERAL TOLERANCE			DRAW NO. :		
			A2004H-2XNP		
BO	NEW RELEASE	2006.05.13	X. X±0.25	ANGLE±	REV. B0
REV.	DESCRIPTION	DATE	X. XX±0.15	⊕	
			X. XXX±0.05		

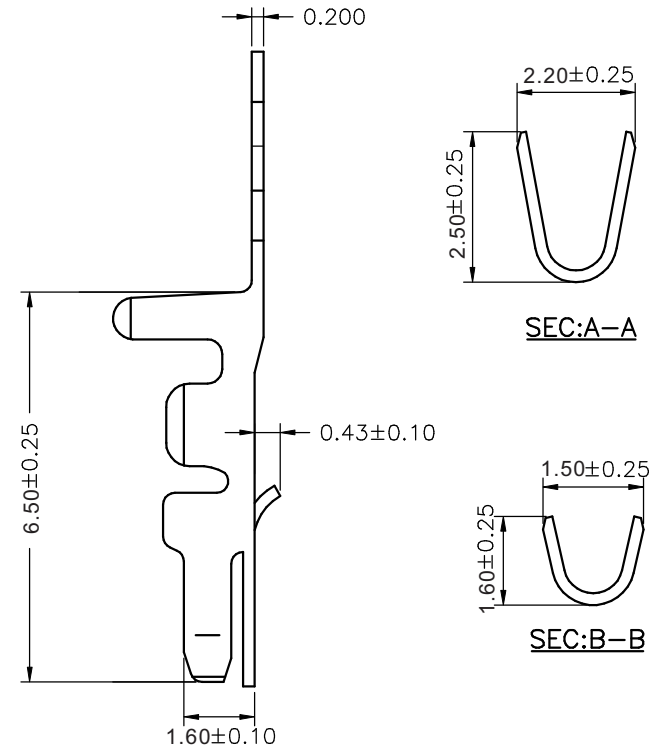
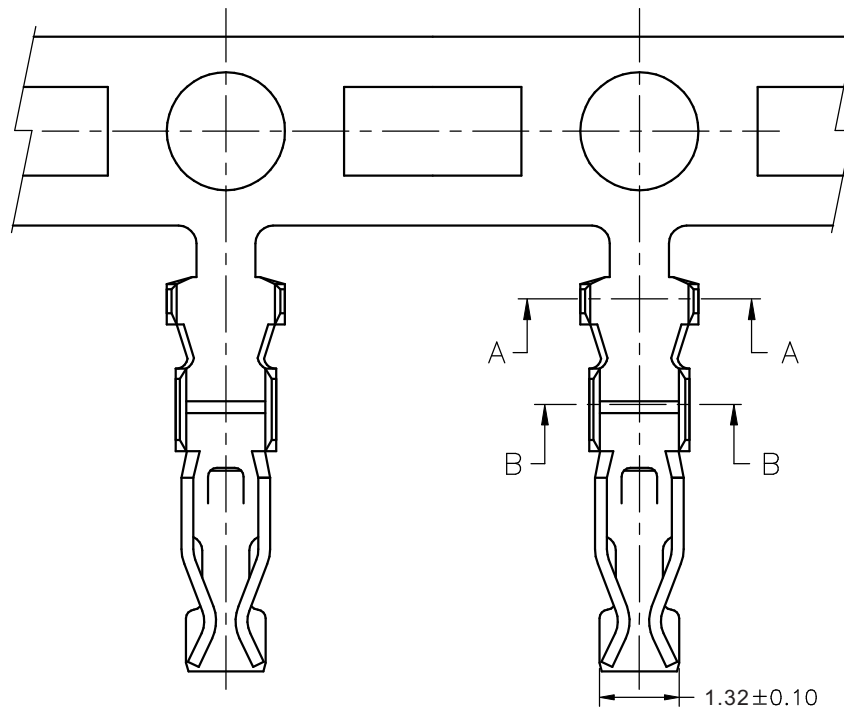


**SPECIFICATIONS**  
 Current Rating: 3A AC,DC  
 Voltage Rating: 250V AC,DC  
 Temperature Range: -25°C ~ +85°C  
 Contact Resistance: 10mΩ Max.  
 Insulation Resistance: 1000MΩ Min.  
 Withstanding Voltage: 800V AC/minute  
 Material: Nylon 66,UL94V-0  
 Color: Natural(White)

**Ordering Information & Dimensions**

PART NO.	Dimensions	
	A	B
A2004HA-2X02P	2.00	4.50
A2004HA-2X03P	4.00	6.50
A2004HA-2X04P	6.00	8.50
A2004HA-2X05P	8.00	10.50
A2004HA-2X06P	10.00	12.50
A2004HA-2X07P	12.00	14.50
A2004HA-2X08P	14.00	16.50
A2004HA-2X09P	16.00	18.50
A2004HA-2X10P	18.00	20.50
A2004HA-2X11P	20.00	22.50
A2004HA-2X12P	22.00	24.50
A2004HA-2X13P	24.00	26.50
A2004HA-2X14P	26.00	28.50
A2004HA-2X15P	28.00	30.50
A2004HA-2X16P	30.00	32.50
A2004HA-2X17P	32.00	34.50
A2004HA-2X18P	34.00	36.50
A2004HA-2X19P	36.00	38.50
A2004HA-2X20P	38.00	40.50
A2004HA-2X22P	42.00	44.50

<b>广瑞电子科技有限公司</b>					
UNIT	SCALE	SHEET	TITLE :		
mm		1 of 1	2.00mm PITCH HOUSING LOCK TYPE		
DRAWN BY		APPROVED BY			
SUSAN		HENLY			
2006.10.27		2006.10.27			
A2	REVISE	2008.08.14	GENERAL TOLERANCE		
A1	REVISE	2007.01.09	X X ± .25	ANGLE ±	
A0	NEW RELEASE	2006.10.27	X XX ± .15		
REV.	DESCRIPTION	DATE	X XXX ± .05		
DRAW NO. :			REV. :		
A2004HA-2XNP			A2		



Ordering Information & Specifications

Part No	Wire Range	Insulation O.D.	Material	Finish	Qty/reel
A2004-TPE	AWG#22-#28	1.50mm(max)	Phosphor Bronze	Tin-plated	10,000pcs
A2004-GPE	AWG#22-#28	1.50mm(max)	Phosphor Bronze	Gold-flash	10,000pcs
A2004-MPE	AWG#22-#28	1.50mm(max)	Phosphor Bronze	Mist Tin	10,000pcs

Note:E-Stamping before Tin-plated or Gold-flash

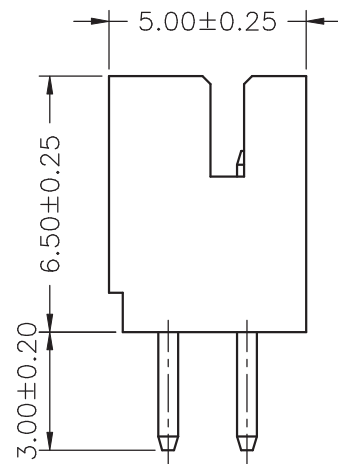
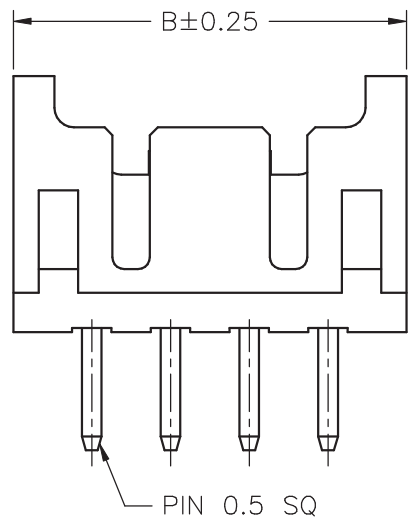
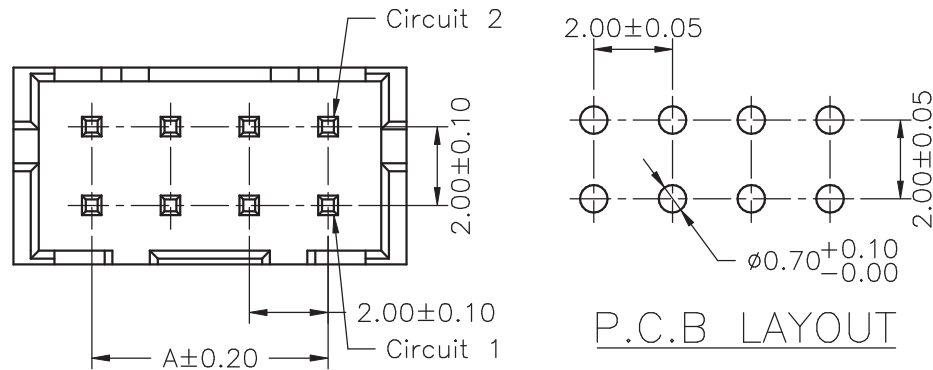
广瑞电子科技有限公司					
			UNIT	SCALE	SHEET
			mm		1 of 1
			DRAWN BY	APPROVED BY	
			SUSAN	HENLY	
			2001.02.01	2001.02.01	
			GENERAL TOLERANCE		
			X. X±0.25	ANGLE±	
			X. XX±0.15	▽ ⊕	
			X. XXX±0.05		
BO	NEW RELEASE	2006.05.13	DRAW NO. : A2004-XX		
REV.	DESCRIPTION	DATE			

TITLE:  
**2.00mm PITCH  
CRIMP TERMINAL**

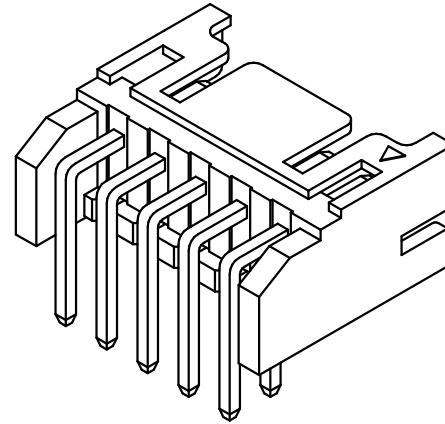
**SPECIFICATIONS**  
 Current Rating: 3A AC,DC  
 Voltage Rating: 250V AC,DC  
 Temperature Range: -25°C ~ +85°C  
 Contact Resistance: 10mΩ Max.  
 Insulation Resistance: 1000MΩ Min.  
 Withstanding Voltage: 800V AC/minute  
 Pin Material: Brass/Tin-plated  
 Material: Nylon 66,UL94V-0  
 Pantone Color: 7528C

**Ordering Information & Dimensions**

PART NO.	Dimensions	
	A	B
A2004WV-2X02P	2.00	6.00
A2004WV-2X03P	4.00	8.00
A2004WV-2X04P	6.00	10.00
A2004WV-2X05P	8.00	12.00
A2004WV-2X06P	10.00	14.00
A2004WV-2X07P	12.00	16.00
A2004WV-2X08P	14.00	18.00
A2004WV-2X09P	16.00	20.00
A2004WV-2X10P	18.00	22.00
A2004WV-2X11P	20.00	24.00
A2004WV-2X12P	22.00	26.00
A2004WV-2X13P	24.00	28.00
A2004WV-2X14P	26.00	30.00
A2004WV-2X15P	28.00	32.00
A2004WV-2X16P	30.00	34.00
A2004WV-2X17P	32.00	36.00
A2004WV-2X18P	34.00	38.00
A2004WV-2X19P	36.00	40.00
A2004WV-2X20P	38.00	42.00



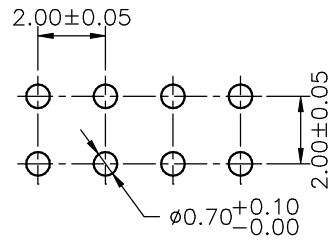
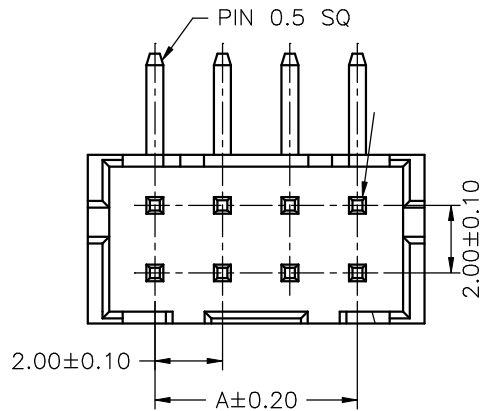
<b>广瑞电子科技有限公司</b>					
UNIT	SCALE	SHEET	TITLE:		
mm		1 of 1	<b>2.00mm PITCH 180° WAFER</b>		
DRAWN BY		APPROVED BY			
陈敬全		SUSAN			
2001.02.01		2001.02.01			
GENERAL TOLERANCE					
X. X±0.25	ANGLE±		DRAW NO. : A2004WV-2XNP		
X. XX±0.15					
X. XXX±0.05					
BO	NEW RELEASE	2006.05.13	REV. B0		
REV.	DESCRIPTION	DATE			



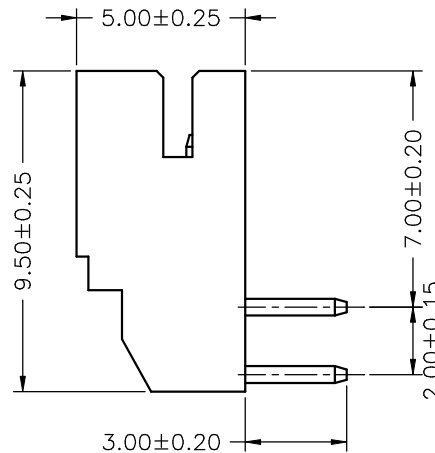
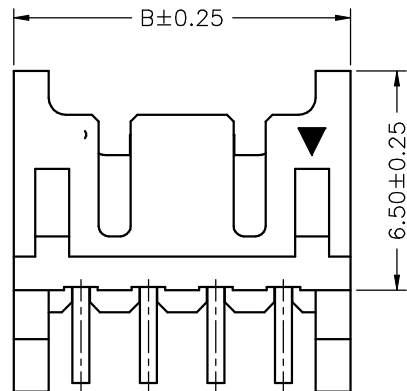
**SPECIFICATIONS**  
 Current Rating: 3A AC,DC  
 Voltage Rating: 250V AC,DC  
 Temperature Range: -25°C ~ +85°C  
 Contact Resistance: 10mΩ Max.  
 Insulation Resistance: 1000MΩ Min.  
 Withstanding Voltage: 800V AC/minute  
 Pin Material: Brass/Tin-plated  
 Material: Nylon 66,UL94V-0  
 Pantone Color: 7528C

**Ordering Information & Dimensions**

PART NO.	Dimensions	
	A	B
A2004WR-2X02P	2.00	6.00
A2004WR-2X03P	4.00	8.00
A2004WR-2X04P	6.00	10.00
A2004WR-2X05P	8.00	12.00
A2004WR-2X06P	10.00	14.00
A2004WR-2X07P	12.00	16.00
A2004WR-2X08P	14.00	18.00
A2004WR-2X09P	16.00	20.00
A2004WR-2X10P	18.00	22.00
A2004WR-2X11P	20.00	24.00
A2004WR-2X12P	22.00	26.00
A2004WR-2X13P	24.00	28.00
A2004WR-2X14P	26.00	30.00
A2004WR-2X15P	28.00	32.00
A2004WR-2X16P	30.00	34.00
A2004WR-2X17P	32.00	36.00
A2004WR-2X18P	34.00	38.00
A2004WR-2X19P	36.00	40.00
A2004WR-2X20P	38.00	42.00



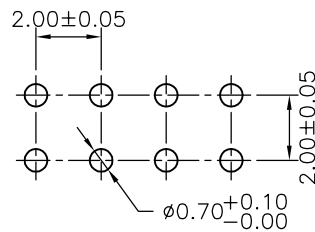
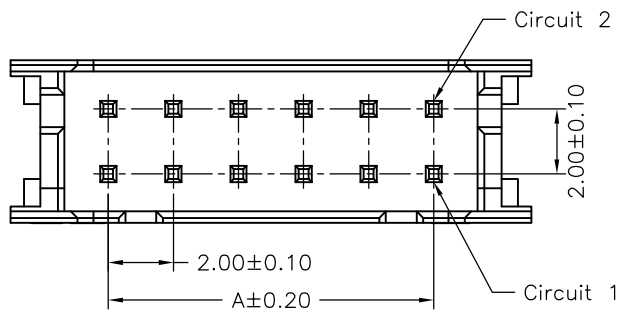
P.C.B LAYOUT



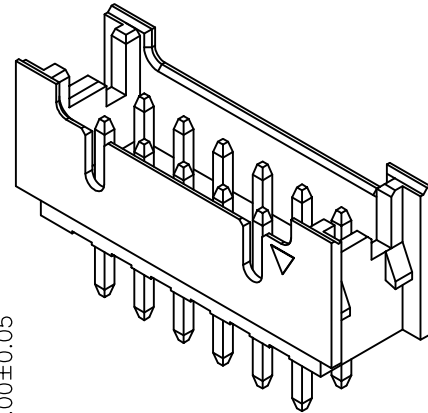
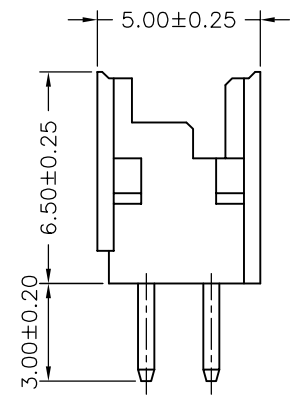
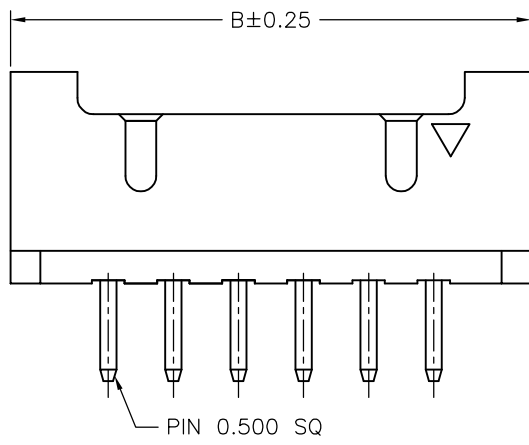
**广瑞电子科技有限公司**

UNIT		SCALE	SHEET	TITLE:
mm			1 of 1	
DRAWN BY		APPROVED BY		2.00mm PITCH 90° WAFER
SUSAN		HENLY		
2001.02.01		2001.02.01		
GENERAL TOLERANCE				
	X. X±0.25	ANGLE±		DRAW NO. : A2004WR-2XNP
BO	NEW RELEASE	2006.05.13	X. XX±0.15	
REV.	DESCRIPTION	DATE	X. XXX±0.05	

REV. BO



P.C.B LAYOUT



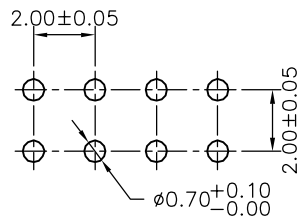
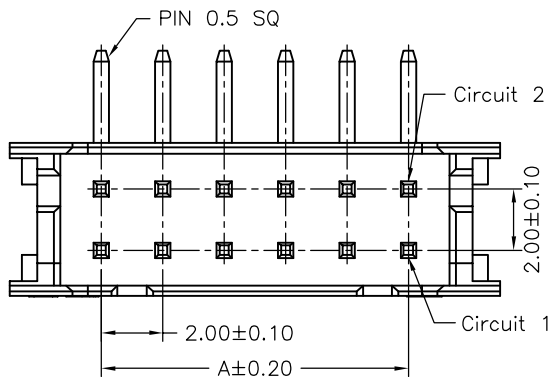
**SPECIFICATIONS**

Current Rating: 3A AC,DC  
 Voltage Rating: 250V AC,DC  
 Temperature Range: -25°C ~ +85°C  
 Contact Resistance: 10mΩ Max.  
 Insulation Resistance: 1000MΩ Min.  
 Withstanding Voltage: 800V AC/minute  
 Pin Material: Brass/Gold-flash  
 Material: Nylon 6T,UL94V-0  
 Color: Natural(Beige)

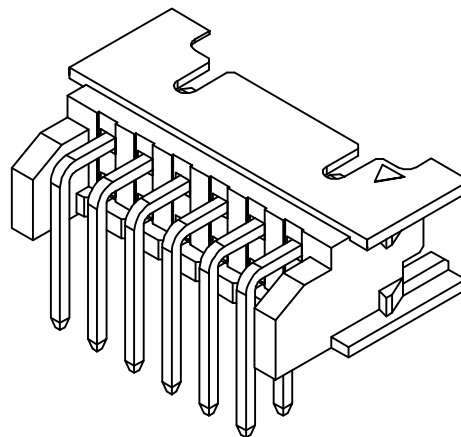
**Ordering Information & Dimensions**

PART NO.	Dimensions	
	A	B
A2004WVA-2X02P	2.00	8.00
A2004WVA-2X03P	4.00	10.00
A2004WVA-2X04P	6.00	12.00
A2004WVA-2X05P	8.00	14.00
A2004WVA-2X06P	10.00	16.00
A2004WVA-2X07P	12.00	18.00
A2004WVA-2X08P	14.00	20.00
A2004WVA-2X09P	16.00	22.00
A2004WVA-2X10P	18.00	24.00
A2004WVA-2X11P	20.00	26.00
A2004WVA-2X12P	22.00	28.00
A2004WVA-2X13P	24.00	30.00
A2004WVA-2X14P	26.00	32.00
A2004WVA-2X15P	28.00	34.00
A2004WVA-2X16P	30.00	36.00
A2004WVA-2X17P	32.00	38.00
A2004WVA-2X18P	34.00	40.00
A2004WVA-2X19P	36.00	42.00
A2004WVA-2X20P	38.00	44.00
A2004WVA-2X22P	42.00	48.00

<b>广瑞电子科技有限公司</b>					
UNIT	SCALE	SHEET	TITLE :		
mm		1 of 1	2.00mm PITCH 180 WAFER LOCK TYPE		
DRAWN BY	APPROVED BY				DRAW NO. :
SUSAN	HENLY				A2004WVA-2XNP
2006.10.27	2006.10.27				REV. A1
GENERAL TOLERANCE					
A1	REVISE	2008.08.14	X X ± .25	ANGLE ±	
A0	NEW RELEASE	2006.10.27	X XX ± .15		
REV.	DESCRIPTION	DATE	X XXX ± .05		



P.C.B LAYOUT

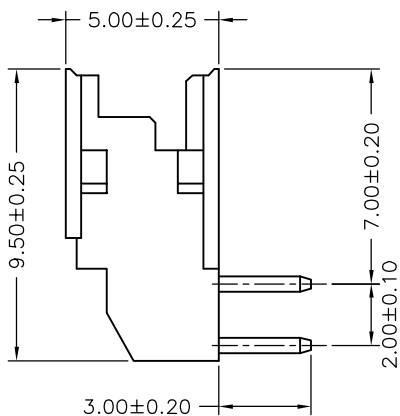
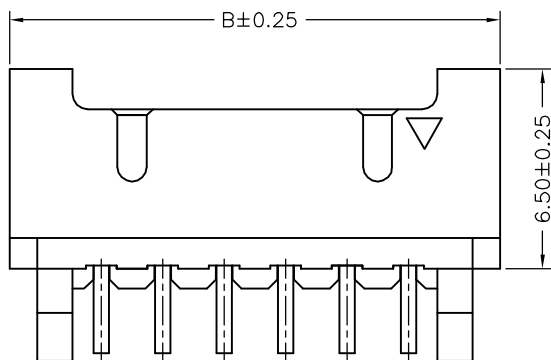


**SPECIFICATIONS**

Current Rating: 3A AC,DC  
 Voltage Rating: 250V AC,DC  
 Temperature Range: -25°C ~ +85°C  
 Contact Resistance: 10mΩ Max.  
 Insulation Resistance: 1000MΩ Min.  
 Withstanding Voltage: 800V AC/minute  
 Pin Material: Brass/Gold-flash  
 Material: Nylon 6T,UL94V-0  
 Color: Natural(Beige)

**Ordering Information & Dimensions**

PART NO.	Dimensions	
	A	B
A2004WRA-2X02P	2.00	8.00
A2004WRA-2X03P	4.00	10.00
A2004WRA-2X04P	6.00	12.00
A2004WRA-2X05P	8.00	14.00
A2004WRA-2X06P	10.00	16.00
A2004WRA-2X07P	12.00	18.00
A2004WRA-2X08P	14.00	20.00
A2004WRA-2X09P	16.00	22.00
A2004WRA-2X10P	18.00	24.00
A2004WRA-2X11P	20.00	26.00
A2004WRA-2X12P	22.00	28.00
A2004WRA-2X13P	24.00	30.00
A2004WRA-2X14P	26.00	32.00
A2004WRA-2X15P	28.00	34.00
A2004WRA-2X16P	30.00	36.00
A2004WRA-2X17P	32.00	38.00
A2004WRA-2X18P	34.00	40.00
A2004WRA-2X19P	36.00	42.00
A2004WRA-2X20P	38.00	44.00



<b>广瑞电子科技有限公司</b>					
UNIT	SCALE	SHEET	TITLE :		
mm		1 of 1	2.00mm PITCH 90° WAFER LOCK TYPE		
DRAWN BY SUSAN		APPROVED BY HENLY			
2006.10.27		2006.10.27			
GENERAL TOLERANCE					
		X X ±0.25	ANGLE ±		
A0	NEW RELEASE	2006.10.27	X XX ±0.15	DRAW NO. : A2004WRA-2XNP	
REV.	DESCRIPTION	DATE	X XXX ±0.05		REV. A0