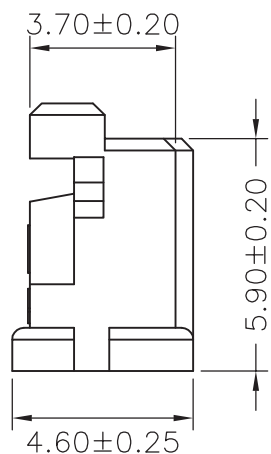
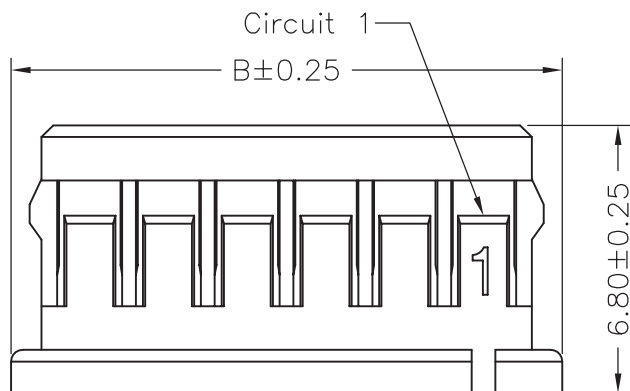


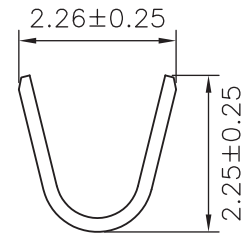
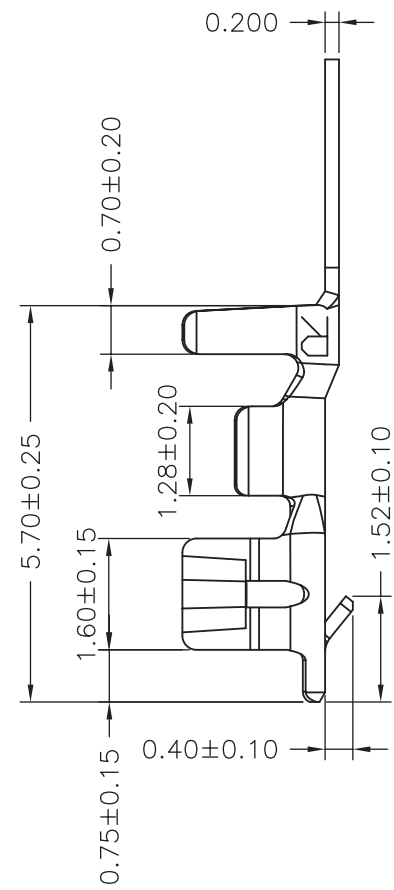
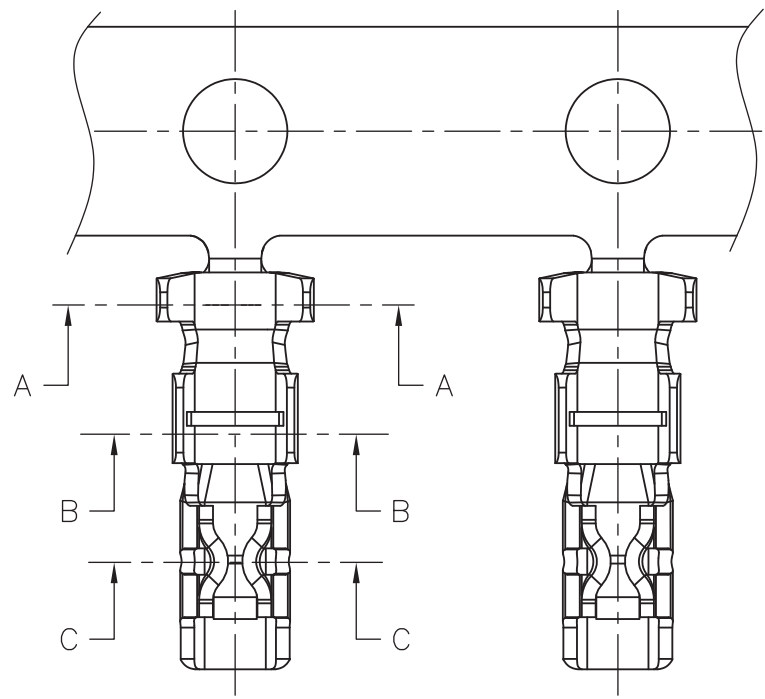
SPECIFICATIONS
 Current Rating: 3A AC,DC
 Voltage Rating: 250V AC,DC
 Temperature Range: -25°C ~ +85°C
 Contact Resistance: 30mΩ Max.
 Insulation Resistance: 1000MΩ Min.
 Withstanding Voltage: 650V AC/minute
 Material: Nylon 66,UL94V-0
 Color: Black



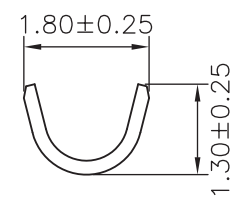
Ordering Information & Dimensions

PART NO.	Dimensions	
	A	B
A2005H-02P	2.00	6.00
A2005H-03P	4.00	8.00
A2005H-04P	6.00	10.00
A2005H-05P	8.00	12.00
A2005H-06P	10.00	14.00
A2005H-07P	12.00	16.00
A2005H-08P	14.00	18.00
A2005H-09P	16.00	20.00
A2005H-10P	18.00	22.00
A2005H-11P	20.00	24.00
A2005H-12P	22.00	26.00
A2005H-13P	24.00	28.00
A2005H-14P	26.00	30.00
A2005H-15P	28.00	32.00

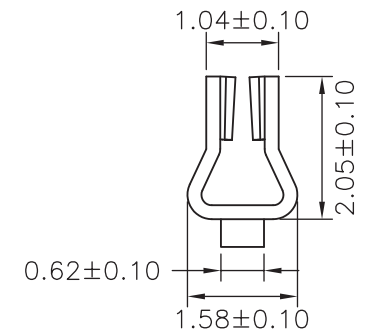
广瑞电子科技有限公司					
UNIT	SCALE	SHEET	TITLE:		
mm		1 of 1	2.00mm PITCH HOUSING		
DRAWN BY SUSAN		APPROVED BY HENLY			
2005.04.16		2005.04.16			
GENERAL TOLERANCE					
B1	REVISE	2006.12.12	X.X±0.25	ANGLE±	
B0	NEW RELEASE	2005.11.24	X.XX±0.15		
REV.	DESCRIPTION	DATE	X.XXX±0.05		
			DRAW NO. :	REV.	
			A2005H-XP	B1	



SEC:A-A



SEC:B-B



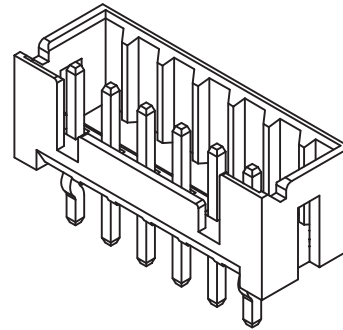
SEC:C-C

Ordering Information & Specifications

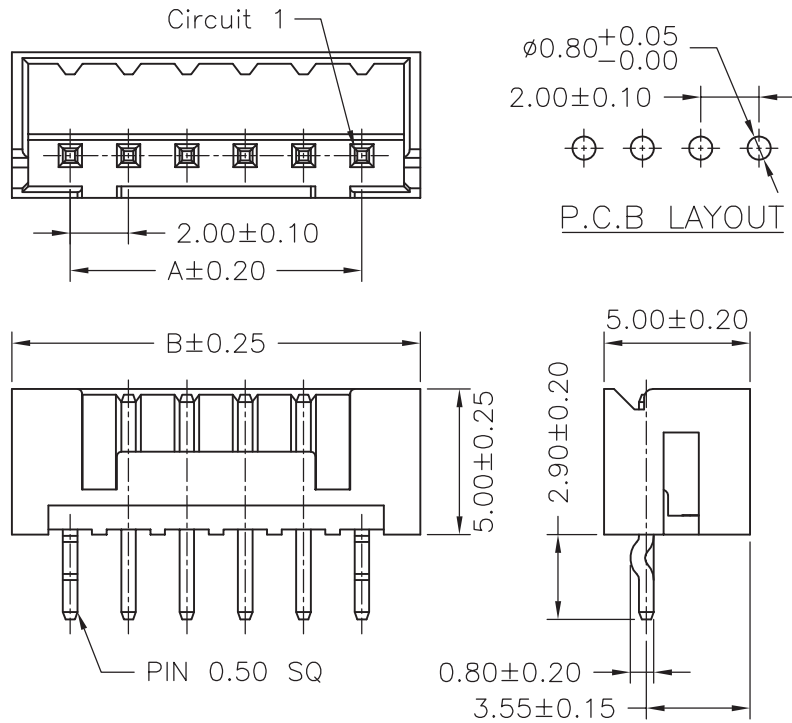
Part No	Wire Range	Insulation O.D.	Material	Finish	Qty/reel
A2005-TPE	AWG#22-#28	1.45mm(max)	Phosphor Bronze	Tin-plated	10,000pcs
A2005-GPE	AWG#22-#28	1.45mm(max)	Phosphor Bronze	Gold-flash	10,000pcs

Note:E-Stamping before Tin-plated or Gold-flash

				广瑞电子科技有限公司			
		UNIT	SCALE	SHEET		TITLE:	
		mm		1 of 1		2.00mm PITCH CRIMP TERMINAL	
		DRAWN BY SUSAN 2005.04.16		APPROVED BY HENLY 2005.04.16			
		GENERAL TOLERANCE					
B2	REVISE	2008.06.04	X.X±0.25		ANGLE±		DRAW NO. : A2005-XX
B1	REVISE	2006.12.12	X.XX±0.15				
B0	NEW RELEASE	2005.11.24	X.XXX±0.05				
REV.	DESCRIPTION	DATE					REV. B2



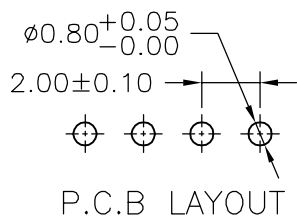
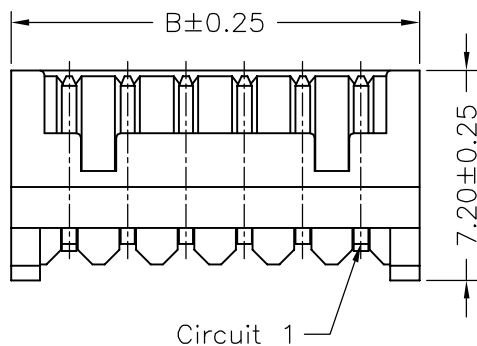
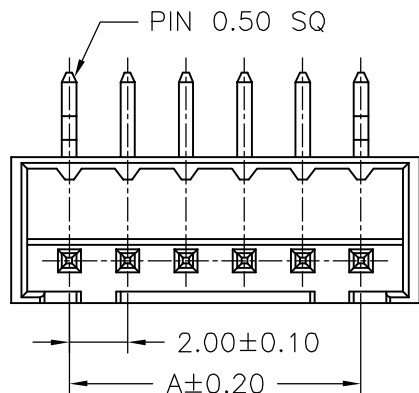
SPECIFICATIONS
 Current Rating: 3A AC,DC
 Voltage Rating: 250V AC,DC
 Temperature Range: -25°C ~ +85°C
 Contact Resistance: 30mΩ Max.
 Insulation Resistance: 1000MΩ Min.
 Withstanding Voltage: 650V AC/minute
 Pin Material: Brass/Gold-flash
 Material: Nylon 6T,UL94V-0
 Color: Natural(Black)



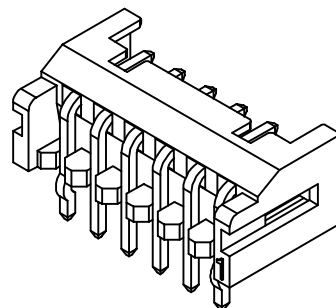
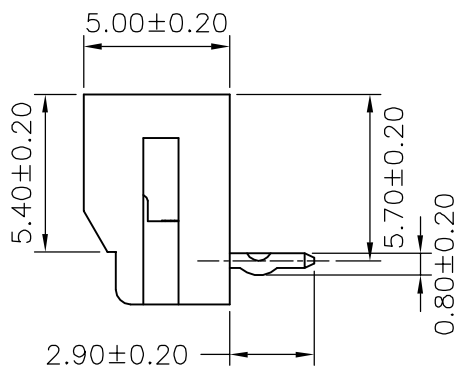
Ordering Information & Dimensions

PART NO.	Dimensions	
	A	B
A2005WV-02P	2.00	6.00
A2005WV-03P	4.00	8.00
A2005WV-04P	6.00	10.00
A2005WV-05P	8.00	12.00
A2005WV-06P	10.00	14.00
A2005WV-07P	12.00	16.00
A2005WV-08P	14.00	18.00
A2005WV-09P	16.00	20.00
A2005WV-10P	18.00	22.00
A2005WV-11P	20.00	24.00
A2005WV-12P	22.00	26.00
A2005WV-13P	24.00	28.00
A2005WV-14P	26.00	30.00
A2005WV-15P	28.00	32.00

广瑞电子科技有限公司					
UNIT	SCALE	SHEET	TITLE:		
mm		1 of 1	2.00mm PITCH 180° WAFER		
DRAWN BY	APPROVED BY				
SUSAN	HELNY				
	2005.04.16	2005.04.16			
GENERAL TOLERANCE					
B1	REVISE	2006.12.12	X.X ±0.25	ANGLE ±	
B0	NEW RELEASE	2005.11.24	X.XX ±0.15		
REV.	DESCRIPTION	DATE	X.XXX ±0.05		
				DRAW NO. : A2005WV-XP	
				REV. B1	



P.C.B LAYOUT



SPECIFICATIONS

Current Rating: 3A AC,DC
 Voltage Rating: 250V AC,DC
 Temperature Range: -25°C ~ +85°C
 Contact Resistance: 30mΩ Max.
 Insulation Resistance: 1000MΩ Min.
 Withstanding Voltage: 650V AC/minute
 Pin Material: Brass/Gold-flash
 Material: Nylon 6T,UL94V-0
 Color: Natural(Black)

Ordering Information & Dimensions

PART NO.	Dimensions	
	A	B
A2005WR-02P	2.00	6.00
A2005WR-03P	4.00	8.00
A2005WR-04P	6.00	10.00
A2005WR-05P	8.00	12.00
A2005WR-06P	10.00	14.00
A2005WR-07P	12.00	16.00
A2005WR-08P	14.00	18.00
A2005WR-09P	16.00	20.00
A2005WR-10P	18.00	22.00
A2005WR-11P	20.00	24.00
A2005WR-12P	22.00	26.00
A2005WR-13P	24.00	28.00
A2005WR-14P	26.00	30.00
A2005WR-15P	28.00	32.00

广瑞电子科技有限公司				
UNIT	SCALE	SHEET	TITLE:	
mm		1 of 1	2.00mm PITCH 90° WAFER	
DRAWN BY SUSAN 2005.04.16		APPROVED BY HENLY 2005.04.16		
B2	REVISE	2007.06.21	GENERAL TOLERANCE	
B1	REVISE	2006.12.12	X. X±0.25	ANGLE±
B0	NEW RELEASE	2005.11.24	X. XX±0.15	
REV.	DESCRIPTION	DATE	X. XXX±0.05	
DRAW NO.:			A2005WR-XP	REV. B2