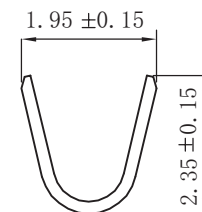
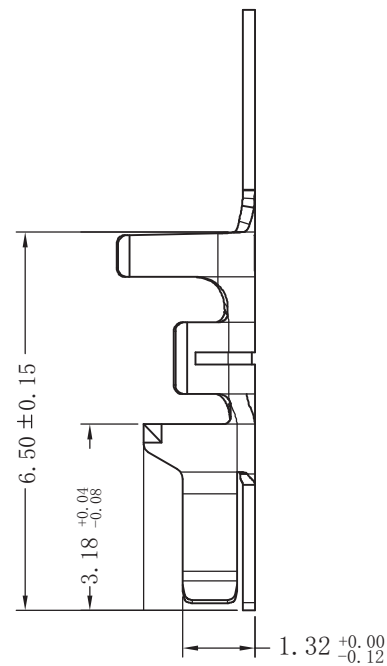
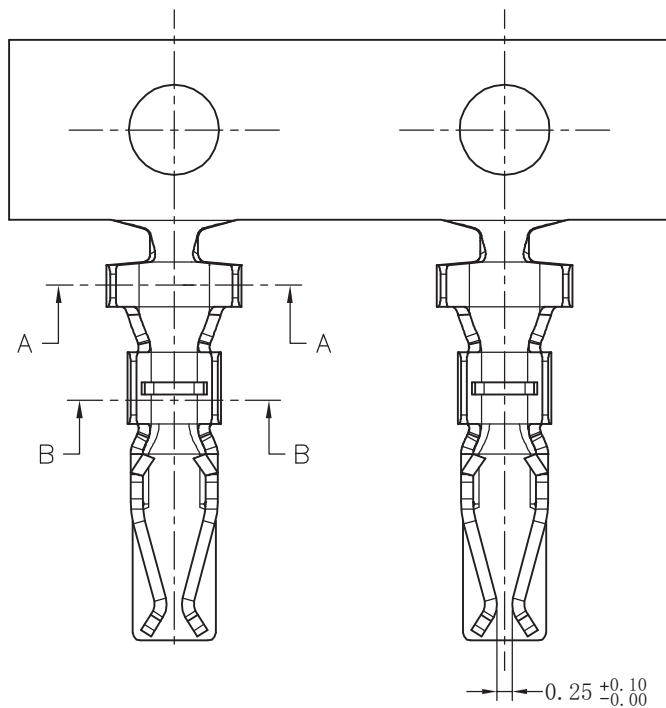


SPECIFICATIONS
 Current Rating: 3A AC,DC
 Voltage Rating: 250V AC,DC
 Temperature Range: -25°C ~ +85°C
 Contact Resistance: 30mΩ Max
 Insulation Resistance: 1000MΩ Min
 Withstanding Voltage: 1000V AC/minute
 Material: Nylon 66,UL94V-0
 Color: Natural(White)

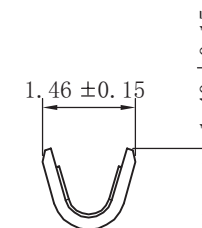
Ordering Information & Dimensions

PART NO.	Dimensions	
	A	B
A2006H-02P	2.00	4.60
A2006H-03P	4.00	6.60
A2006H-04P	6.00	8.60
A2006H-05P	8.00	10.60
A2006H-06P	10.00	12.60
A2006H-07P	12.00	14.60
A2006H-08P	14.00	16.60
A2006H-09P	16.00	18.60
A2006H-10P	18.00	20.60
A2006H-11P	20.00	22.60
A2006H-12P	22.00	24.60
A2006H-13P	24.00	26.60
A2006H-14P	26.00	28.60
A2006H-15P	28.00	30.60
A2006H-16P	30.00	32.60

广瑞电子科技有限公司					
		UNIT	SCALE	SHEET	TITLE:
		mm		1 of 1	
		DRAWN BY	APPROVED BY	2.00mm PITCH HOUSING	
		SUSAN	HENLY		
B3	REVISE	2006.05.20	2005.03.02	2005.03.02	DRAW NO. : A2006H-XP
B2	REVISE	2006.05.07	GENERAL TOLERANCE		
B1	REVISE	2006.02.17	X. X±0.25	ANGLE±	REV. B3
B0	NEW RELEASE	2005.10.07	X. XX±0.15	⌀	
REV.	DESCRIPTION	DATE	X. XXX±0.05		



SEC:A-A



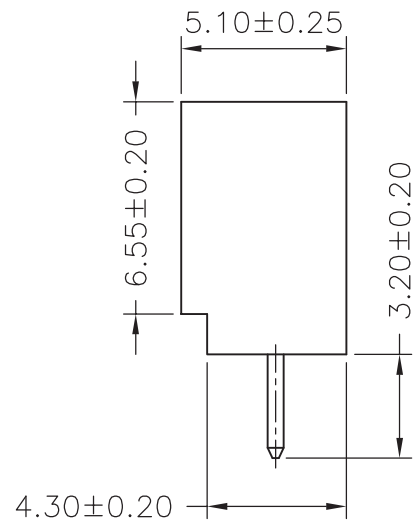
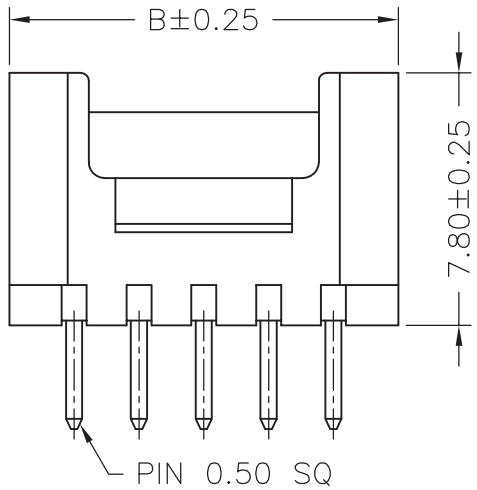
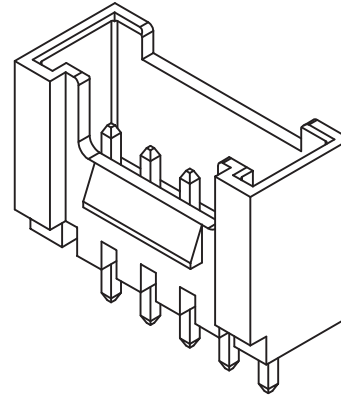
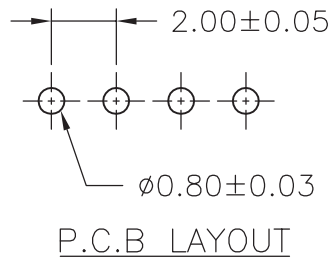
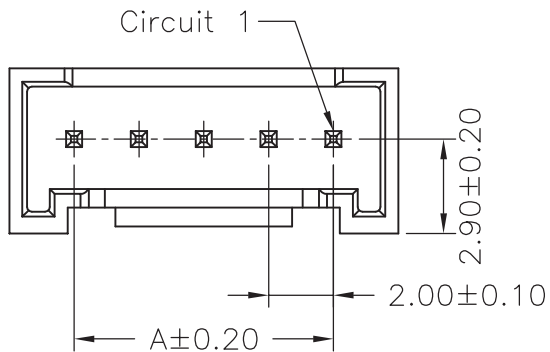
SEC:B-B

Ordering Information & Specifications

Part No.	Wire Range	Insulation O.D.	Material	Finish	Qty/reel
A2211-TPE-A	AWG#22-#30	1.45mm(max)	Phosphor Bronze	Tin-plated	15,000PCS

Note:E-Stamping before Tin-plated

广瑞电子科技有限公司					
			UNIT	SCALE	SHEET
			mm		1 of 1
			DRAWN BY	APPROVED BY	
			SUSAN	HENLY	
			2007.04.03	2007.04.03	
			GENERAL TOLERANCE		
A1	REVISE	2007.04.10	X.X ± 0.25	ANGLE ±	
A0	NEW RELEASE	2007.04.03	X.XX ± 0.15		
REV.	DESCRIPTION	DATE	X.XXX ± 0.05		
TITLE:					
2.00mm PITCH					
CRIMP TERMINAL					
DRAW NO. :					REV.
A2211-XX-A					A1



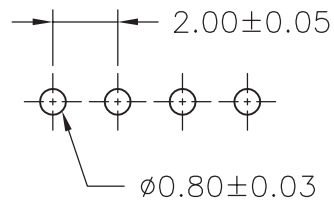
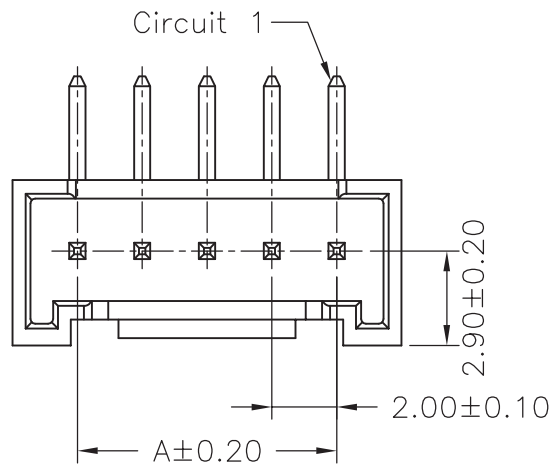
SPECIFICATIONS

Current Rating: 3A AC,DC
 Voltage Rating: 250V AC,DC
 Temperature Range: -25°C ~ +85°C
 Contact Resistance: 30mΩ Max
 Insulation Resistance: 1000MΩ Min
 Withstanding Voltage: 1000V AC/minute
 Pin Material: Brass/Gold-flash
 Material: Nylon 46,UL94V-0
 Color: Natural(Beige)

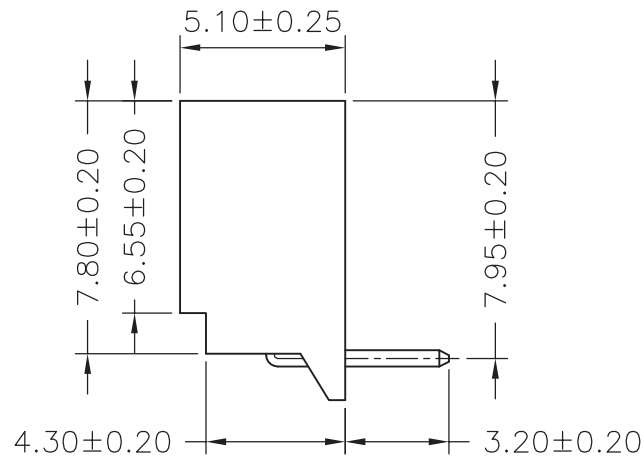
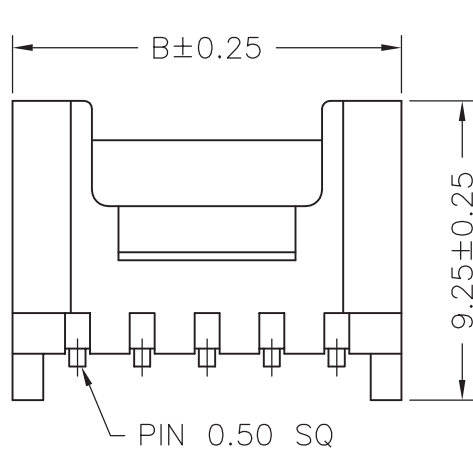
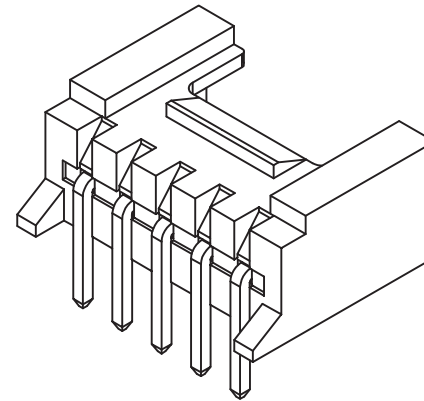
Ordering Information & Dimensions

PART NO.	Dimensions	
	A	B
A2006WV-02P	2.00	6.00
A2006WV-03P	4.00	8.00
A2006WV-04P	6.00	10.00
A2006WV-05P	8.00	12.00
A2006WV-06P	10.00	14.00
A2006WV-07P	12.00	16.00
A2006WV-08P	14.00	18.00
A2006WV-09P	16.00	20.00
A2006WV-10P	18.00	22.00
A2006WV-11P	20.00	24.00
A2006WV-12P	22.00	26.00
A2006WV-13P	24.00	28.00
A2006WV-14P	26.00	30.00
A2006WV-15P	28.00	32.00
A2006WV-16P	30.00	34.00

				广瑞电子科技有限公司				
			UNIT	SCALE	SHEET	TITLE:		
			mm		1 of 1	2.00mm PITCH 180° WAFER		
B4	REVISE	2007.05.18	DRAWN BY SUSAN		APPROVED BY HENLY			
B3	REVISE	2006.05.11	2005.03.03		2005.03.03			
B2	REVISE	2006.05.07	GENERAL TOLERANCE					
B1	REVISE	2005.11.24	X.X±0.25	ANGLE±				
B0	NEW RELEASE	2005.10.07	X.XX±0.15	⊕		DRAW NO. :		
REV.	DESCRIPTION	DATE	X.XXX±0.05			A2006WV-XP		REV. B4



P.C.B LAYOUT



SPECIFICATIONS

Current Rating: 3A AC,DC
 Voltage Rating: 250V AC,DC
 Temperature Range: -25°C ~ +85°C
 Contact Resistance: 30mΩ Max
 Insulation Resistance: 1000MΩ Min
 Withstanding Voltage: 1000V AC/minute
 Pin Material: Brass/Gold-flash
 Material: Nylon 46,UL94V-0
 Color: Natural(Beige)

Ordering Information & Dimensions

PART NO.	Dimensions	
	A	B
A2006WR-02P	2.00	6.00
A2006WR-03P	4.00	8.00
A2006WR-04P	6.00	10.00
A2006WR-05P	8.00	12.00
A2006WR-06P	10.00	14.00
A2006WR-07P	12.00	16.00
A2006WR-08P	14.00	18.00
A2006WR-09P	16.00	20.00
A2006WR-10P	18.00	22.00
A2006WR-11P	20.00	24.00
A2006WR-12P	22.00	26.00
A2006WR-13P	24.00	28.00
A2006WR-14P	26.00	30.00
A2006WR-15P	28.00	32.00
A2006WR-16P	30.00	34.00

				广瑞电子科技有限公司	
		UNIT	SCALE	SHEET	TITLE:
		mm		1 of 1	
B4	REVISE	2007.05.18	DRAWN BY SUSAN	APPROVED BY HENLY	
B3	REVISE	2006.05.11	2005.04.08	2005.04.08	2.00mm PITCH 90° WAFER
B2	REVISE	2006.05.07	GENERAL TOLERANCE		
B1	REVISE	2005.11.24	X.X±0.25	ANGLE±	DRAW NO. : A2006WR-XP
B0	NEW RELEASE	2005.10.07	X.XX±0.15		
REV.	DESCRIPTION	DATE	X.XXX±0.05		