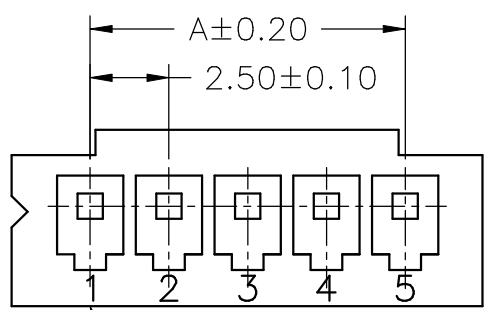
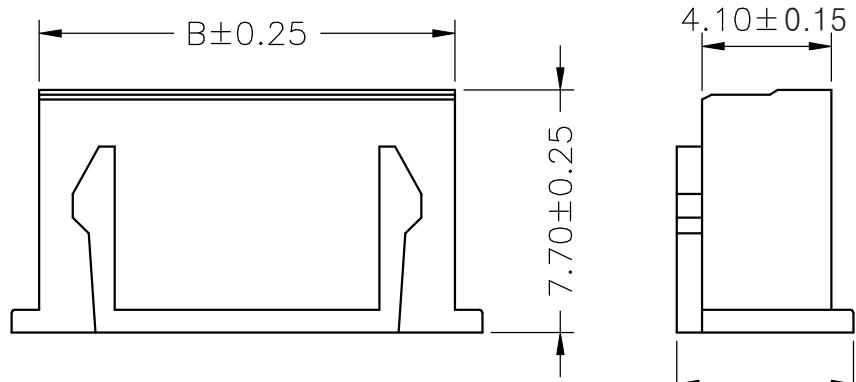


**SPECIFICATIONS**  
 Current Rating: 3A AC,DC  
 Voltage Rating: 250V AC,DC  
 Temperature Range: -25°C ~ +85°C  
 Contact Resistance: 10mΩ Max  
 Insulation Resistance: 1000MΩ Min  
 Withstanding Voltage: 800V AC/minute  
 Material: Nylon 66,UL94V-0  
 Color: Natural(White)

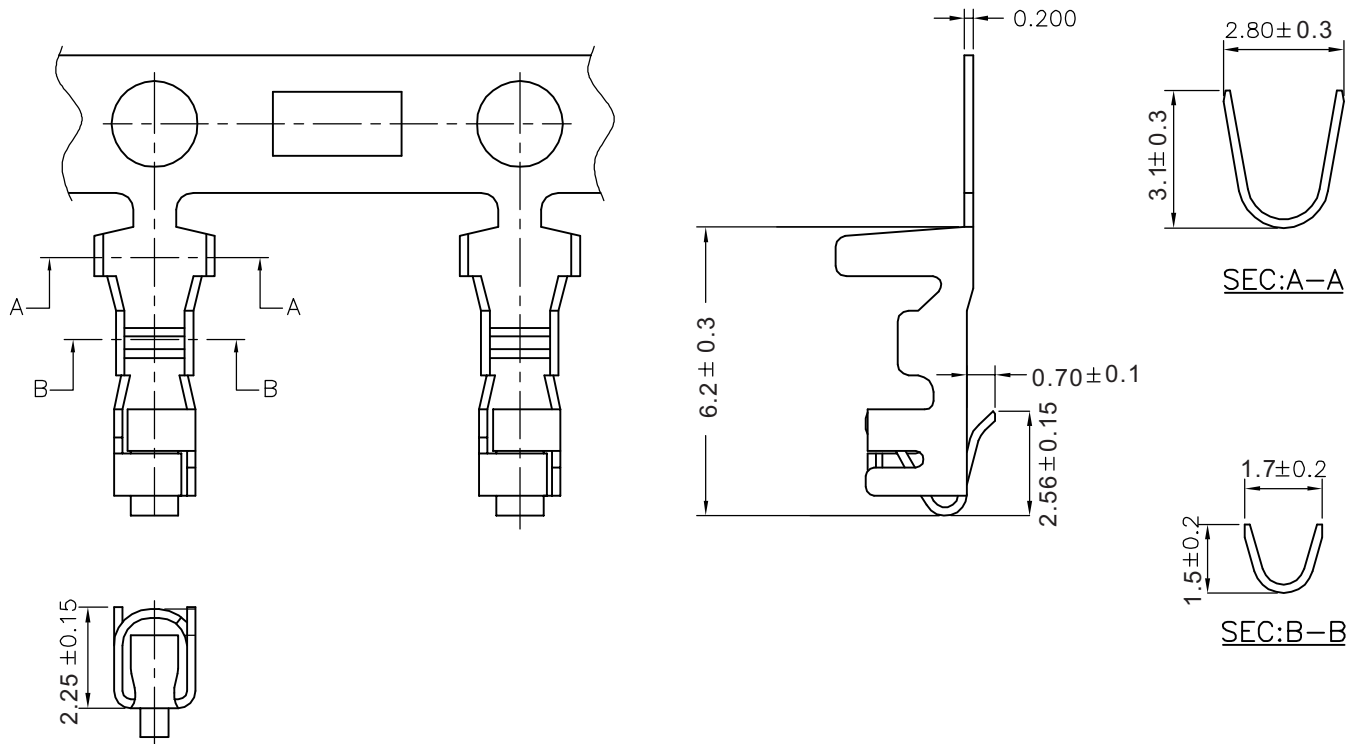
**Ordering Information & Dimensions**

PART NO.	Dimensions	
	A	B
A2501H-02P	2.50	5.70
A2501H-03P	5.00	8.20
A2501H-04P	7.50	10.70
A2501H-05P	10.00	13.20
A2501H-06P	12.50	15.70
A2501H-07P	15.00	18.20
A2501H-08P	17.50	20.70
A2501H-09P	20.00	23.20
A2501H-10P	22.50	25.70
A2501H-11P	25.00	28.20
A2501H-12P	27.50	30.70
A2501H-13P	30.00	33.20
A2501H-14P	32.50	35.70
A2501H-15P	35.00	38.20
A2501H-16P	37.50	40.70



Circuit 1

<b>广瑞电子科技有限公司</b>					
UNIT	SCALE	SHEET	TITLE:		
mm		1 of 1	<b>2.50mm PITCH HOUSING</b>		
DRAWN BY SUSAN 2001.02.01		APPROVED BY HENLY 2001.02.01			
GENERAL TOLERANCE					
B0	NEW RELEASE	2006.05.17	X. X±0.25	ANGLE±	
REV.	DESCRIPTION	DATE	X. XX±0.15	▽ ⊕	
			X. XXX±0.05		
			DRAW NO. :	REV. B0	
			A2501H-XP		

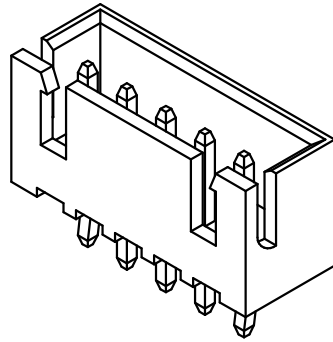


Ordering Information & Specifications

Part No	Wire Range	Insulation O.D.	Material	Finish	Qty/reel
A2501-TBE	AWG#22-#28	1.90mm(max)	Brass	Tin-plated	8,000pcs
A2501-TPE	AWG#22-#28	1.90mm(max)	Phosphor Bronze	Tin-plated	8,000pcs

Note:E-Stamping before Tin-plated

广瑞电子科技有限公司					
			UNIT	SCALE	SHEET
			mm		1 of 1
			DRAWN BY		APPROVED BY
			SUSAN		HENLY
			2001.02.01		2001.02.01
			GENERAL TOLERANCE		
B1	REVISE	2006.11.29	X X $\neq$ .25	ANGLE $\neq$	
B0	NEW RELEASE	2006.05.17	X XX $\neq$ .15		
REV .	DESCRIPTION	DATE	X XXX $\neq$ .05		
TITLE :					
2.50mm PITCH					
CRIMP TERMINAL					
DRAW NO. : A2501-XX					REV . B1



Ordering Information:

A2501WV-XP \*  
1 2

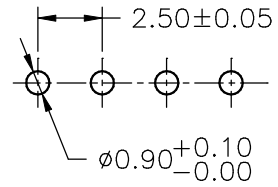
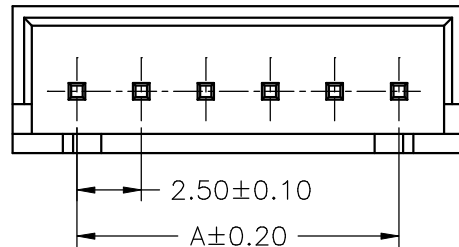
1.Part No.

2.Style:

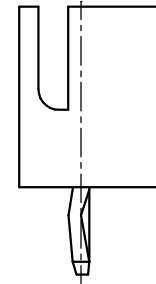
- 1-Type 1
- 2-Type 2
- 3-Type 3

SPECIFICATIONS

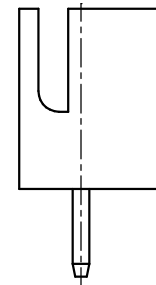
Current Rating: 3A AC,DC  
 Voltage Rating: 250V AC,DC  
 Temperature Range: -25°C ~ +85°C  
 Contact Resistance: 10mΩ Max  
 Insulation Resistance: 1000MΩ Min  
 Withstanding Voltage: 1000V AC/minute  
 Pin Material: Brass/Tin-plated  
 Material: Nylon 66,UL94V-0  
 Color: Natural(White)



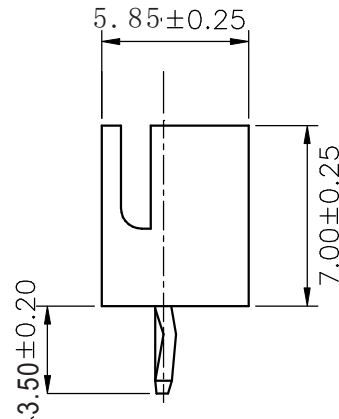
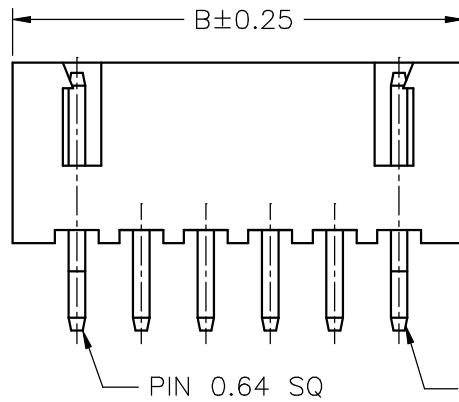
P.C.B LAYOUT



TYPE 2



TYPE 3

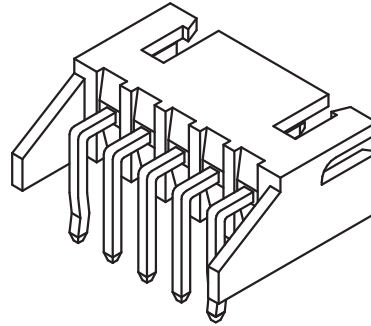


TYPE 1

Ordering Information & Dimensions

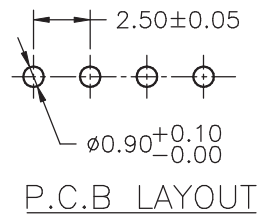
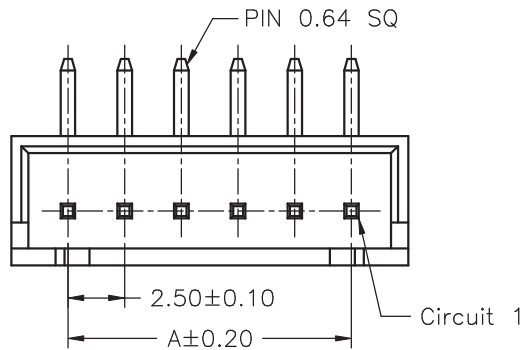
PART NO.	Dimensions	
	A	B
A2501WV-02P	2.50	7.50
A2501WV-03P	5.00	10.00
A2501WV-04P	7.50	12.50
A2501WV-05P	10.00	15.00
A2501WV-06P	12.50	17.50
A2501WV-07P	15.00	20.00
A2501WV-08P	17.50	22.50
A2501WV-09P	20.00	25.00
A2501WV-10P	22.50	27.50
A2501WV-11P	25.00	30.00
A2501WV-12P	27.50	32.50
A2501WV-13P	30.00	35.00
A2501WV-14P	32.50	37.50
A2501WV-15P	35.00	40.00
A2501WV-16P	37.50	42.50
A2501WV-17P	40.00	45.00
A2501WV-18P	42.50	47.50
A2501WV-19P	45.00	50.00
A2501WV-20P	47.50	52.50

广瑞电子科技有限公司					
UNIT	SCALE	SHEET	TITLE:		
mm		1 of 1	2.50mm PITCH 180° WAFER		
DRAWN BY SUSAN		APPROVED BY HENLY			
2006.05.17		2006.05.17			
GENERAL TOLERANCE					
A0	NEW RELEASE	2006.05.17	X. X±0.25	ANGLE±	
REV.	DESCRIPTION	DATE	X. XX±0.15	⊕	
			X. XXX±0.05		
			DRAW NO. :	REV.	
			A2501WV-XPX	A0	



**SPECIFICATIONS**

Current Rating: 3A AC,DC  
 Voltage Rating: 250V AC,DC  
 Temperature Range: -25°C ~ +85°C  
 Contact Resistance: 10mΩ Max  
 Insulation Resistance: 1000MΩ Min  
 Withstanding Voltage: 1000V AC/minute  
 Pin Material: Brass/Tin-plated  
 Material: Nylon 66,UL94V-0  
 Color: Natural(White)



**Ordering Information:**

A2501WR-XP \*  
 1 2

1.Part No.

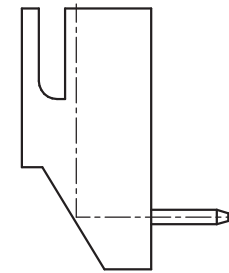
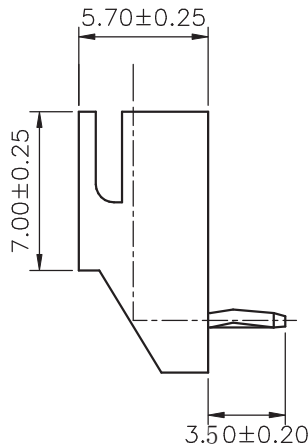
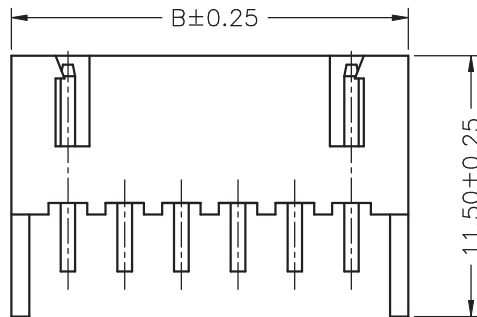
2.Style:

1-Type 1

2-Type 2

**Ordering Information & Dimensions**

PART NO.	Dimensions	
	A	B
A2501WR-02P	2.50	7.50
A2501WR-03P	5.00	10.00
A2501WR-04P	7.50	12.50
A2501WR-05P	10.00	15.00
A2501WR-06P	12.50	17.50
A2501WR-07P	15.00	20.00
A2501WR-08P	17.50	22.50
A2501WR-09P	20.00	25.00
A2501WR-10P	22.50	27.50
A2501WR-11P	25.00	30.00
A2501WR-12P	27.50	32.50
A2501WR-13P	30.00	35.00
A2501WR-14P	32.50	37.50
A2501WR-15P	35.00	40.00
A2501WR-16P	37.50	42.50
A2501WR-17P	40.00	45.00
A2501WR-18P	42.50	47.50
A2501WR-19P	45.00	50.00
A2501WR-20P	47.50	52.50



TYPE 2

TYPE 1

<b>广瑞电子科技有限公司</b>					
UNIT	SCALE	SHEET	TITLE:		
mm		1 of 1	<b>2.50mm PITCH 90° WAFER</b>		
DRAWN BY SUSAN		APPROVED BY HENLY			
2006.05.17		2006.05.17			
GENERAL TOLERANCE					
A0	NEW RELEASE	2006.05.17	X. X±0.25	ANGLE±	
REV.	DESCRIPTION	DATE	X. XX±0.15	⌀	
			X. XXX±0.05		
			DRAW NO. :	REV.	
			A2501WR-XPX	A0	