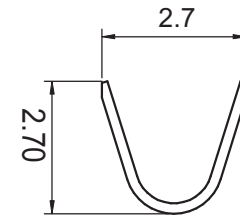
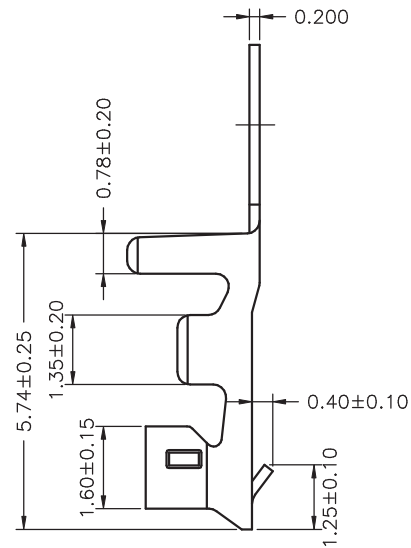
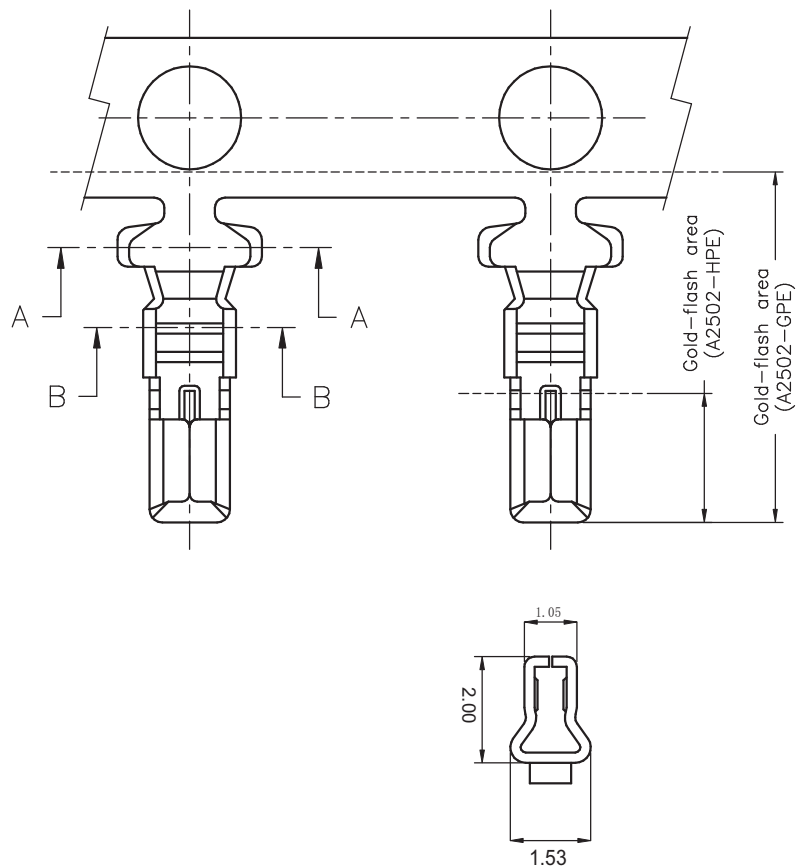


**SPECIFICATIONS**  
 Current Rating: 3A AC,DC  
 Voltage Rating: 250V AC,DC  
 Temperature Range: -25°C ~ +85°C  
 Contact Resistance: 10mΩ Max  
 Insulation Resistance: 1000MΩ Min  
 Withstanding Voltage: 800V AC/minute  
 Material: Nylon 66,UL94V-0  
 Color: Natural(White)

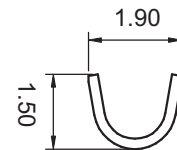
**Ordering Information & Dimensions**

PART NO.	Dimensions	
	A	B
A2502H-02P	2.50	7.00
A2502H-03P	5.00	9.50
A2502H-04P	7.50	12.00
A2502H-05P	10.00	14.50
A2502H-06P	12.50	17.00
A2502H-07P	15.00	19.50
A2502H-08P	17.50	22.00
A2502H-09P	20.00	24.50
A2502H-10P	22.50	27.00
A2502H-11P	25.00	29.50
A2502H-12P	27.50	32.00
A2502H-13P	30.00	34.50
A2502H-14P	32.50	37.00
A2502H-15P	35.00	39.50

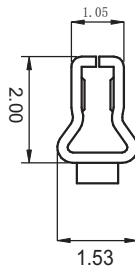
<b>广瑞电子科技有限公司</b>					
UNIT	SCALE	SHEET	TITLE:		
mm		1 of 1	<b>2.50mm PITCH HOUSING</b>		
DRAWN BY	APPROVED BY	DRAW NO. :			
SUSAN	HENLY	A2502H-XP			
2001.02.01	2001.02.01	REV. B0			
GENERAL TOLERANCE					
X. X±0.25	ANGLE±				
B0	NEW RELEASE	2006.05.14	X. XX±0.15		
REV.	DESCRIPTION	DATE	X. XXX±0.05		



SEC:A-A



SEC:B-B



Ordering Information & Specifications

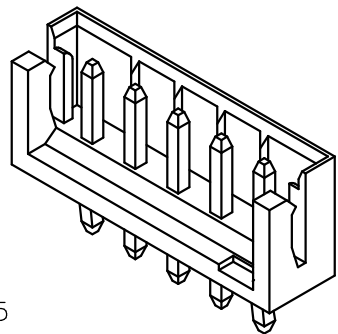
Part No	Wire Range	Insulation O.D.	Material	Finish	Qty/reel
A2502-TPE	AWG#22-#28	1.90mm(max)	Phosphor Bronze	Tin-plated	10,000pcs
A2502-GPE	AWG#22-#28	1.90mm(max)	Phosphor Bronze	Gold-flash	
A2502-HPE	AWG#22-#28	1.90mm(max)	Phosphor Bronze	Gold-flash	

Note:E-Stamping before Tin-plated or Gold-flash

广瑞电子科技有限公司					
			UNIT	SCALE	SHEET
			mm		1 of 1
			DRAWN BY SUSAN 2001.02.01		APPROVED BY HENLY 2001.02.01
			GENERAL TOLERANCE		
			X. X±0.25	ANGLE±	
B0	NEW RELEASE	2006.05.14	X. XX±0.15		DRAW NO. : A2502-XX
REV.	DESCRIPTION	DATE	X. XXX±0.08		

TITLE:

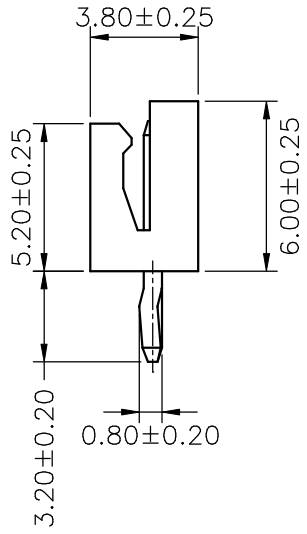
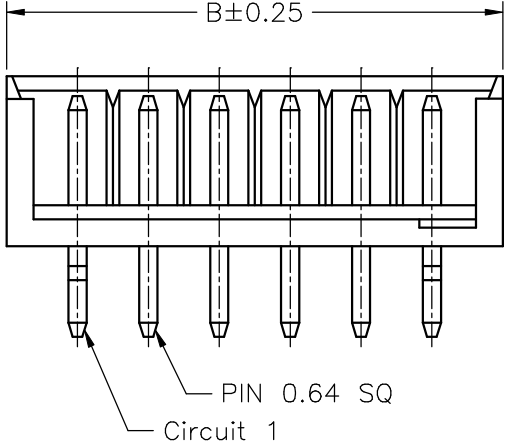
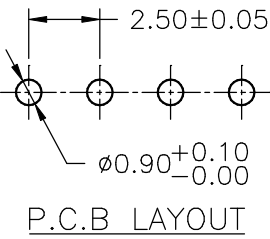
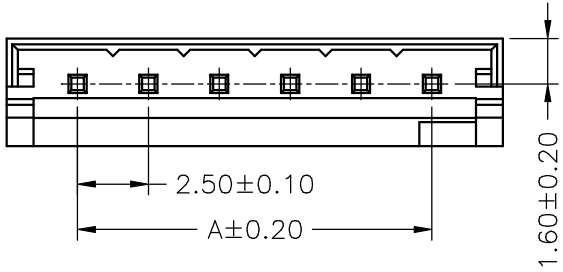
2.50mm PITCH  
CRIMP TERMINAL



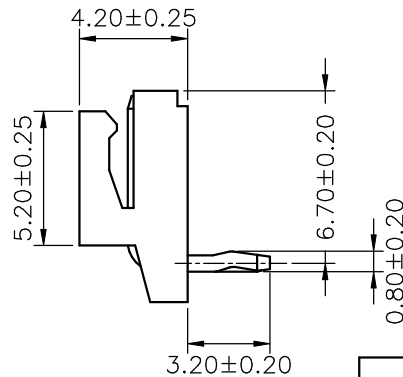
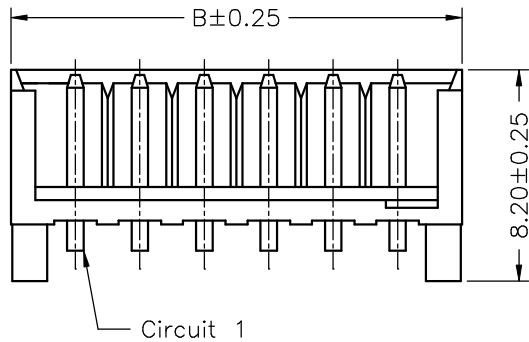
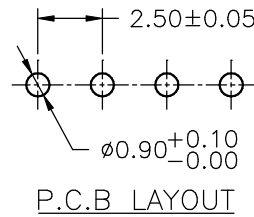
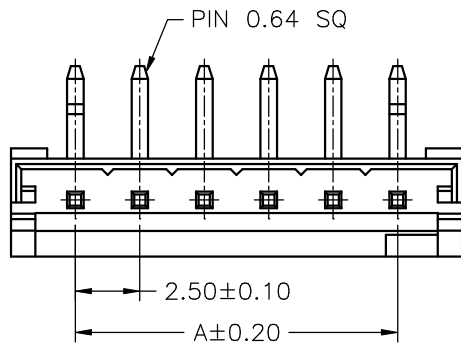
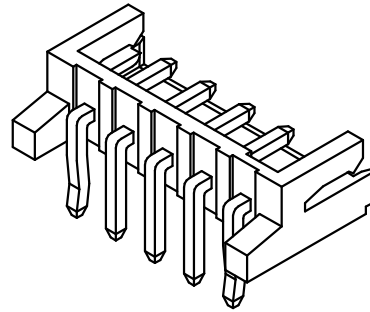
**SPECIFICATIONS**  
 Current Rating: 3A AC,DC  
 Voltage Rating: 250V AC,DC  
 Temperature Range: -25°C ~ +85°C  
 Contact Resistance: 10mΩ Max  
 Insulation Resistance: 1000MΩ Min  
 Withstanding Voltage: 800V AC/minute  
 Pin Material: Brass/Tin-plated  
 Material: Nylon 66,UL94V-0  
 Color: Natural(White)

**Ordering Information & Dimensions**

PART NO.	Dimensions	
	A	B
A2502WV-02P	2.50	7.50
A2502WV-03P	5.00	10.00
A2502WV-04P	7.50	12.50
A2502WV-05P	10.00	15.00
A2502WV-06P	12.50	17.50
A2502WV-07P	15.00	20.00
A2502WV-08P	17.50	22.50
A2502WV-09P	20.00	25.00
A2502WV-10P	22.50	27.50
A2502WV-11P	25.00	30.00
A2502WV-12P	27.50	32.50
A2502WV-13P	30.00	35.00
A2502WV-14P	32.50	37.50
A2502WV-15P	35.00	40.00



<b>广瑞电子科技有限公司</b>					
UNIT	SCALE	SHEET	TITLE:		
mm		1 of 1	<b>2.50mm PITCH 180° WAFER</b>		
DRAWN BY	APPROVED BY	DRAW NO. :			
SUSAN	HENLY	A2502WV-XP			
2001.02.01	2001.02.01	REV. B0			
GENERAL TOLERANCE					
X. X±0.25	ANGLE±				
X. XX±0.15	⊕				
X. XXX±0.05	⊗				
B0	NEW RELEASE	2006.05.14			
REV.	DESCRIPTION	DATE			



TYPE 1

**SPECIFICATIONS**

Current Rating: 3A AC,DC  
 Voltage Rating: 250V AC,DC  
 Temperature Range: -25°C ~ +85°C  
 Contact Resistance: 10mΩ Max  
 Insulation Resistance: 1000MΩ Min  
 Withstanding Voltage: 800V AC/minute  
 Pin Material: Brass/Tin-plated  
 Material: Nylon 66,UL94V-0  
 Color: Natural(White)

**Ordering Information & Dimensions**

PART NO.	Dimensions	
	A	B
A2502WR-02P1	2.50	7.50
A2502WR-03P1	5.00	10.00
A2502WR-04P1	7.50	12.50
A2502WR-05P1	10.00	15.00
A2502WR-06P1	12.50	17.50
A2502WR-07P1	15.00	20.00
A2502WR-08P1	17.50	22.50
A2502WR-09P1	20.00	25.00
A2502WR-10P1	22.50	27.50
A2502WR-11P1	25.00	30.00
A2502WR-12P1	27.50	32.50
A2502WR-13P1	30.00	35.00
A2502WR-14P1	32.50	37.50
A2502WR-15P1	35.00	40.00

				<b>广瑞电子科技有限公司</b>			
UNIT	SCALE	SHEET	TITLE:				
mm		1 of 1	<b>2.50mm PITCH 90° WAFER, TYPE 1</b>				
DRAWN BY		APPROVED BY				DRAW NO. :	
SUSAN		HENLY					A2502WR-XP1
2006.05.14		2006.05.14				REV. A0	
GENERAL TOLERANCE							
X. X±0.25	ANGLE±						
A0	NEW RELEASE	2006.05.14	X. XX±0.15				
REV.	DESCRIPTION	DATE	X. XXX±0.05				