

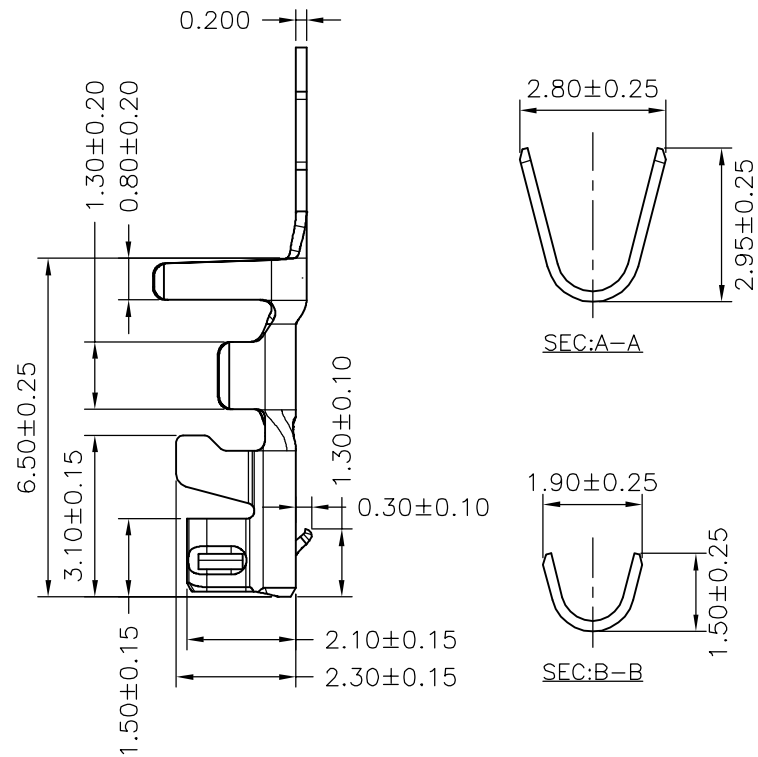
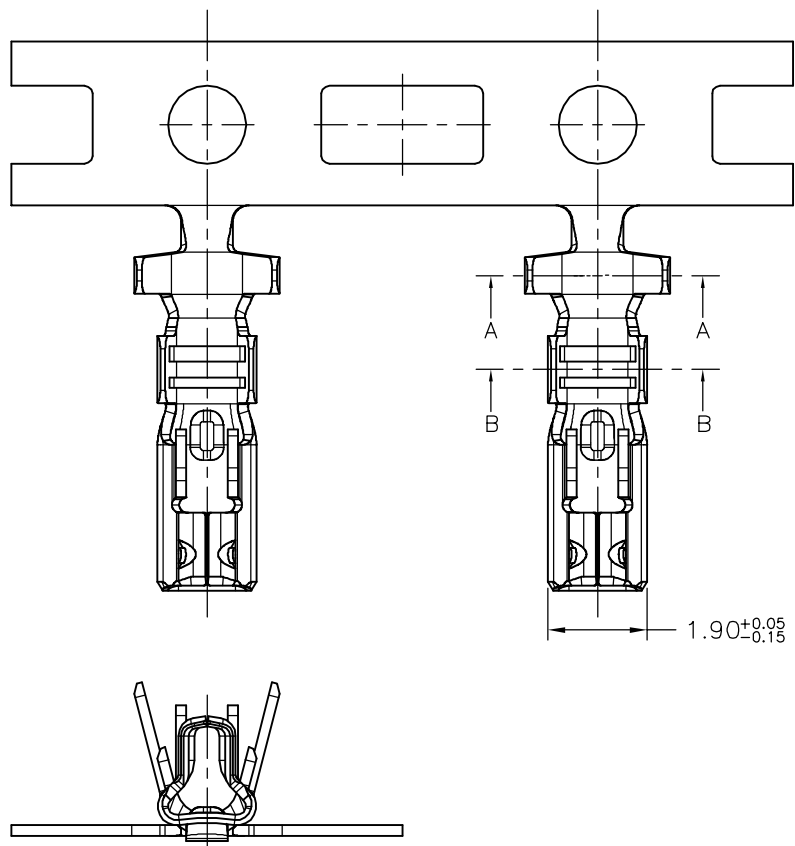
**SPECIFICATIONS**

Current Rating: 3A AC,DC  
 Voltage Rating: 250V AC,DC  
 Temperature Range: -25°C ~ +85°C  
 Contact Resistance: 10mΩ Max  
 Insulation Resistance: 1000MΩ Min  
 Withstanding Voltage: 1000V AC/minute  
 Material: Nylon 66,UL94V-0  
 Color: Natural(White)

**Ordering Information & Dimensions**

PART NO.	Dimensions	
	A	B
A2508H-02P	2.50	7.30
A2508H-03P	5.00	9.80
A2508H-04P	7.50	12.30
A2508H-05P	10.00	14.80
A2508H-06P	12.50	17.30
A2508H-07P	15.00	19.80
A2508H-08P	17.50	22.30
A2508H-09P	20.00	24.80
A2508H-10P	22.50	27.30
A2508H-11P	25.00	29.80
A2508H-12P	27.50	32.30
A2508H-13P	30.00	34.80
A2508H-14P	32.50	37.30
A2508H-15P	35.00	39.80
A2508H-20P	47.50	52.30

				<b>广瑞电子科技有限公司</b>	
UNIT	SCALE	SHEET	TITLE:		
mm		1 of 1	2.50mm PITCH HOUSING		
DRAWN BY Susan 2007.08.23		APPROVED BY Henley 2007.08.23			
GENERAL TOLERANCE			DRAW NO.: A2508H-XP		
X. X±0.25		ANGLE±			
A0	NEW RELEASE	2007.08.23	X. XX±0.15		REV. A0
REV.	DESCRIPTION	DATE	X. XXX±0.05		



Ordering Information & Specifications

Part No	Wire Range	Insulation O.D.	Material	Finish	Qty/reel
A2508-TPE	AWG#20-#28	1.90mm(max)	Phosphor Bronze	Tin-plated	8,000pcs

Note:E-Stamping before Tin-plated

<b>广瑞电子科技有限公司</b>					
			UNIT mm	SCALE	SHEET 1 of 1
			DRAWN BY Susan	APPROVED BY Henley	
			2007.08.23	2007.08.23	
			GENERAL TOLERANCE		
			X. X±0.25	ANGLE±	
A0	NEW RELEASE	2007.08.23	X. XX±0.15		
REV.	DESCRIPTION	DATE	X. XXX±0.05		
			TITLE:  2.50mm PITCH CRIMP TERMINAL		
			DRAW NO. : A2508-XX		REV. A0