

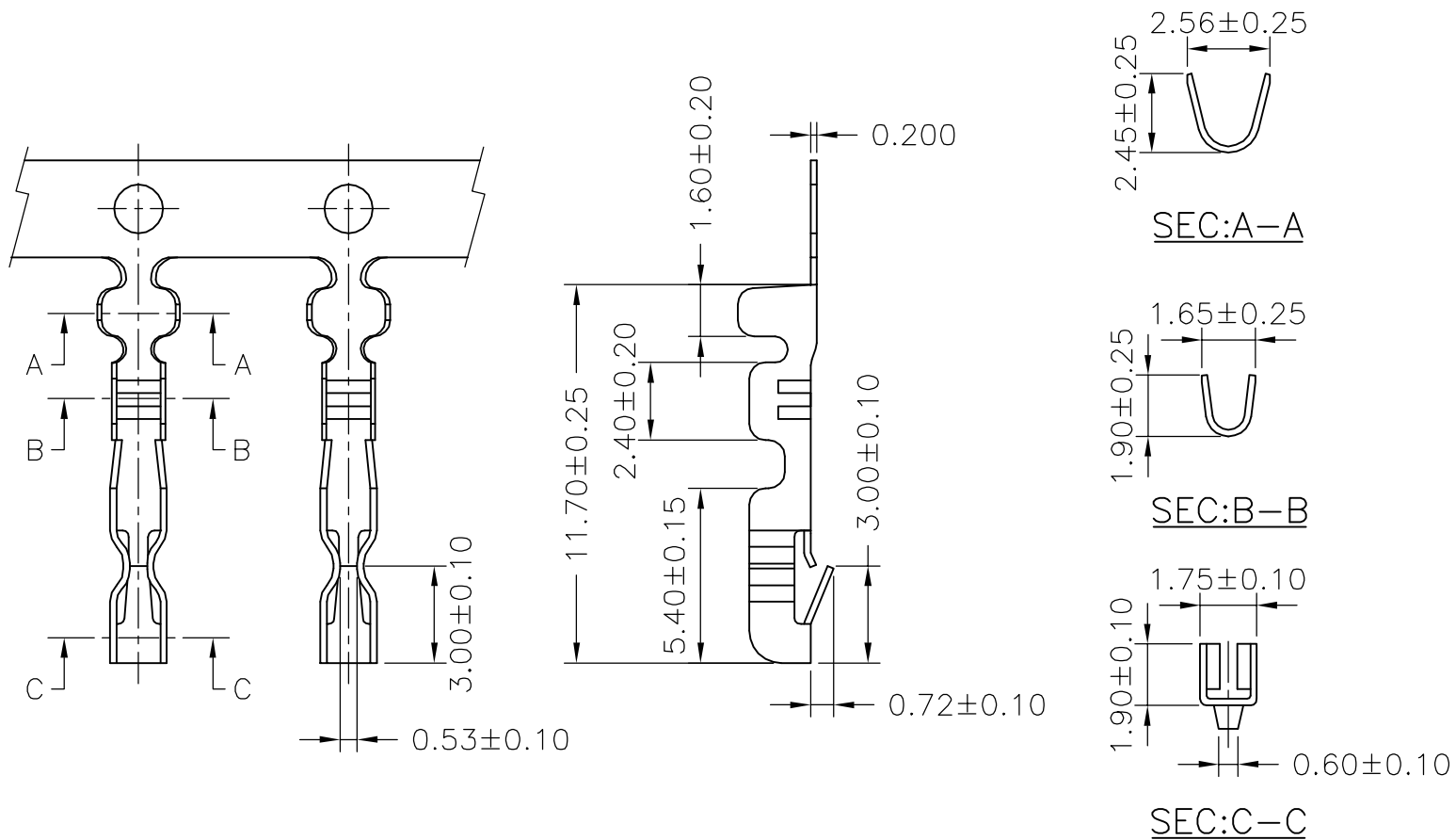
SPECIFICATIONS

Current Rating: 3A AC,DC
 Voltage Rating: 250V AC,DC
 Temperature Range: -25°C ~ +85°C
 Contact Resistance: 10mΩ Max
 Insulation Resistance: 500MΩ Min
 Withstanding Voltage: 800V AC/minute
 Material: Nylon 66,UL94V-0
 Color: Natural(White)

Ordering Information & Dimensions

PART NO.	Dimensions		
	A	B	C
A2540H-02P	2.50	7.25	5.90
A2540H-03P	5.00	9.75	8.40
A2540H-04P	7.50	12.25	10.90
A2540H-05P	10.00	14.75	13.40
A2540H-06P	12.50	17.25	15.90
A2540H-07P	15.00	19.75	18.40
A2540H-08P	17.50	22.25	20.90
A2540H-09P	20.00	24.75	23.40
A2540H-10P	22.50	27.25	25.90
A2540H-11P	25.00	29.75	28.40
A2540H-12P	27.50	32.25	30.90
A2540H-13P	30.00	34.75	33.40
A2540H-14P	32.50	37.25	35.90
A2540H-15P	35.00	39.75	38.40

					广瑞电子科技有限公司	
			UNIT	SCALE	SHEET	TITLE :
			mm		1 of 1	2.50mm PITCH HOUSING
			DRAWN BY	APPROVED BY		
			SUSAN	HENLY		
			2001.02.01	2001.02.01		
B3	REVISE	2006.10.23	GENERAL TOLERANCE			
B2	REVISE	2006.09.18				
B1	REVISE	2006.05.15	X X ±0.25	ANGLE ±		
B0	NEW RELEASE	2005.12.23	X XX ±0.15			
REV.	DESCRIPTION	DATE	X XXX ±0.05			
						DRAW NO. : A2540H-XP
						REV. : B3

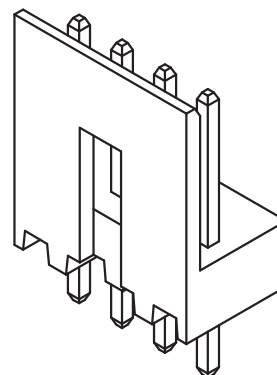
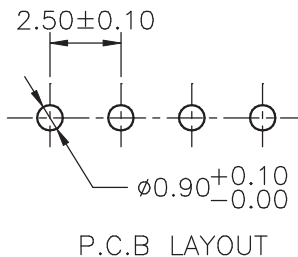
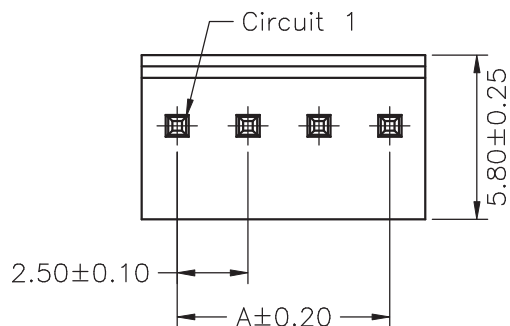


Ordering Information & Specifications

Part NO.	Wire Range	Insulation O.D.	Material	Finish	Qty/reel
A2540-TBE	AWG#20-#26	1.90mm(max)	Brass	Tin-plated	10,000pcs

Note:E-Stamping before Tin-plated

广瑞电子科技有限公司					
UNIT	SCALE	SHEET	TITLE :		
mm		1 of 1	2.50mm PITCH CRIMP TERMINAL		
DRAWN BY		APPROVED BY			
SUSAN		HENLY			
2001.02.01		2001.02.01			
GENERAL TOLERANCE					
B2	REVISE	2006.11.11	ANGLE ±		
B1	REVISE	2006.05.15	X X ± 0.25		
B0	NEW RELEASE	2005.12.23	X XX ± 0.15		
REV .	DESCRIPTION	DATE	X XXX ± 0.05		
DRAW NO. : A2540-XX					REV . B2

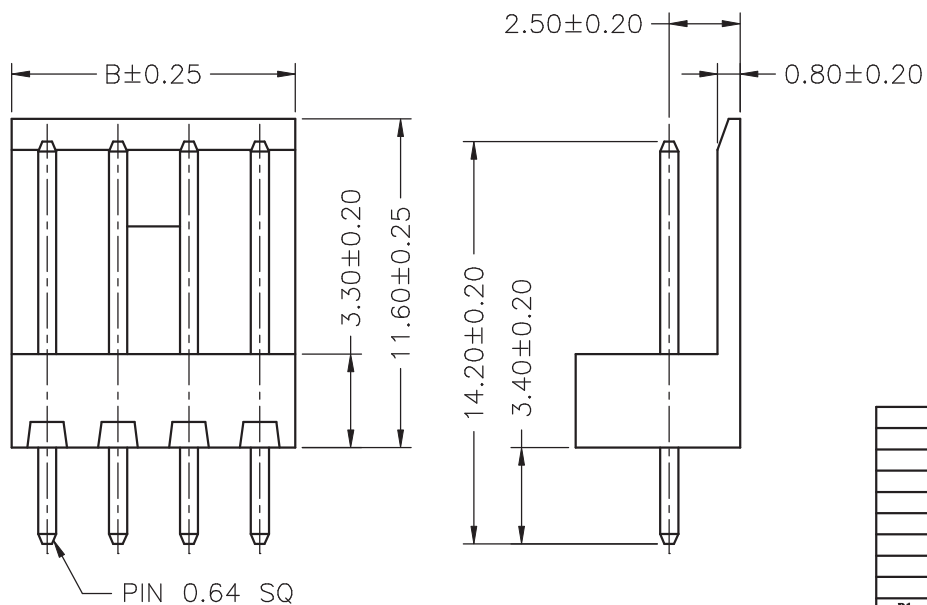


SPECIFICATIONS

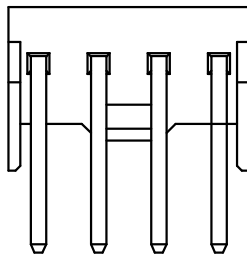
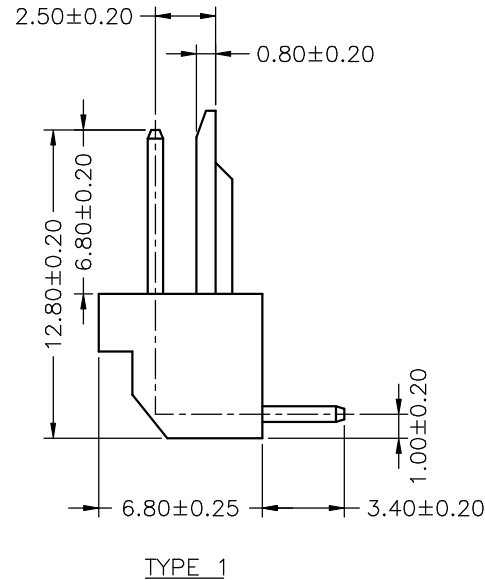
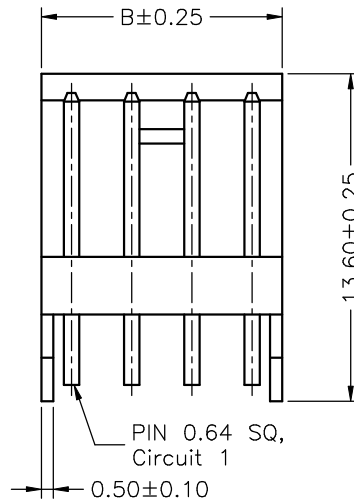
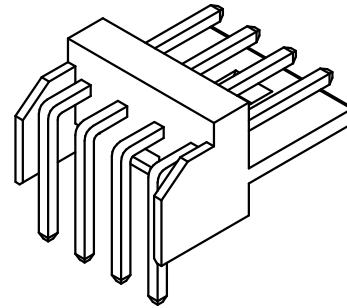
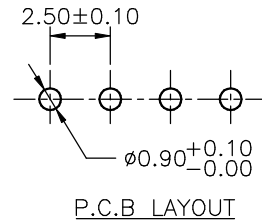
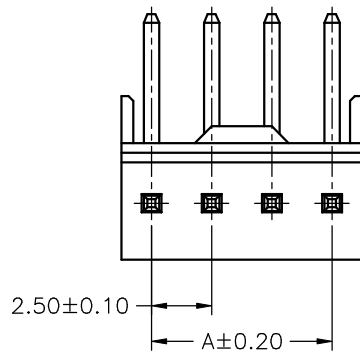
Current Rating: 3A AC,DC
 Voltage Rating: 250V AC,DC
 Temperature Range: -25°C ~ +85°C
 Contact Resistance: 10mΩ Max
 Insulation Resistance: 500MΩ Min
 Withstanding Voltage: 800V AC/minute
 Pin Material: Brass/Tin-plated
 Material: Nylon 66,UL94V-0
 Color: Natural(White)

Ordering Information & Dimensions

PART NO.	Dimensions	
	A	B
A2540WV-02P	2.50	5.00
A2540WV-03P	5.00	7.50
A2540WV-04P	7.50	10.00
A2540WV-05P	10.00	12.50
A2540WV-06P	12.50	15.00
A2540WV-07P	15.00	17.50
A2540WV-08P	17.50	20.00
A2540WV-09P	20.00	22.50
A2540WV-10P	22.50	25.00
A2540WV-11P	25.00	27.50
A2540WV-12P	27.50	30.00



广瑞电子科技有限公司					
UNIT	SCALE	SHEET	TITLE:		
mm		1 of 1	2.50mm PITCH 180° WAFER		
DRAWN BY	APPROVED BY				DRAW NO. :
SUSAN	HENLY				
2001.02.01	2001.02.01		A2540WV-XP		
GENERAL TOLERANCE					
B1	REVISE	2006.05.15	X. X±0.25	ANGLE±	
B0	NEW RELEASE	2005.12.23	X. XX±0.15		
REV.	DESCRIPTION	DATE	X. XXX±0.05		



SPECIFICATIONS

Current Rating: 3A AC,DC
 Voltage Rating: 250V AC,DC
 Temperature Range: -25°C ~ +85°C
 Contact Resistance: 10mΩ Max
 Insulation Resistance: 500MΩ Min
 Withstanding Voltage: 800V AC/minute
 Pin Material: Brass/Tin-plated
 Material: Nylon 66,UL94V-0
 Color: Natural(White)

Ordering Information & Dimensions

PART NO.	Dimensions	
	A	B
A2540WR-02P1	2.50	5.00
A2540WR-03P1	5.00	7.50
A2540WR-04P1	7.50	10.00
A2540WR-05P1	10.00	12.50
A2540WR-06P1	12.50	15.00
A2540WR-07P1	15.00	17.50
A2540WR-08P1	17.50	20.00
A2540WR-09P1	20.00	22.50
A2540WR-10P1	22.50	25.00
A2540WR-11P1	25.00	27.50
A2540WR-12P1	27.50	30.00

广瑞电子科技有限公司					
UNIT	SCALE	SHEET	TITLE:		
mm		1 of 1	2.50mm PITCH 90° WAFER		
DRAWN BY SUSAN 2005.12.23		APPROVED BY HENLY 2005.12.23			
GENERAL TOLERANCE					
A1	REVISE	2006.05.15	X.X±0.25	ANGLE±	DRAW NO. : A2540WR-XP1
A0	NEW RELEASE	2005.12.23	X.XX±0.15	⊕	
REV.	DESCRIPTION	DATE	X.XXX±0.05	⊕	