

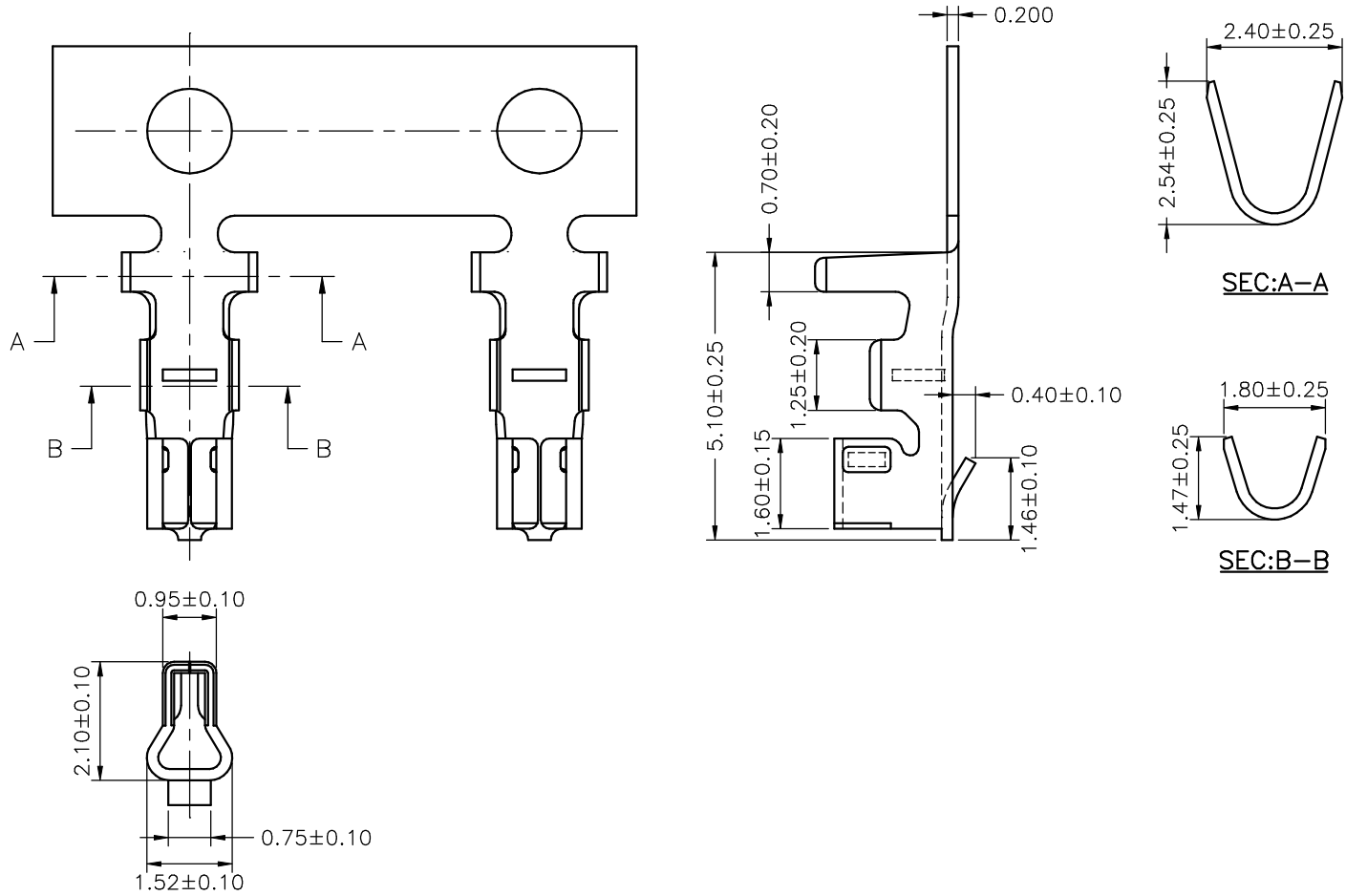
### SPECIFICATIONS

Current Rating: 3A AC,DC  
 Voltage Rating: 300V AC,DC  
 Temperature Range: -25°C ~ +85°C  
 Contact Resistance: 20mΩ Max  
 Insulation Resistance: 100MΩ Min  
 Withstanding Voltage: 1000V AC/minute  
 Material: Nylon 66,UL94V-0  
 Pantone Color: 153C~154C

### Ordering Information & Dimensions

PART NO.	Dimensions	
	A	B
A2100H-2P	2.00	5.60
A2100H-3P	4.00	7.60
A2100H-4P	6.00	9.60
A2100H-5P	8.00	11.60
A2100H-6P	10.00	13.60
A2100H-7P	12.00	15.60
A2100H-8P	14.00	17.60
A2100H-9P	16.00	19.60
A2100H-10P	18.00	21.60
A2100H-11P	20.00	23.60
A2100H-12P	22.00	25.60
A2100H-13P	24.00	27.60
A2100H-14P	26.00	29.60
A2100H-15P	28.00	31.60

<b>广瑞电子科技有限公司</b>					
UNIT	SCALE	SHEET	TITLE:		
mm		1 of 1	<b>2.00mm PITCH HOUSING</b>		
DRAWN BY	APPROVED BY	DRAW NO. :			
SUAN	HENLY	A2100H-XP			
2001.02.01	2001.02.01	REV. B0			
GENERAL TOLERANCE					
	X. X±0.25	ANGLE±			
B0	NEW RELEASE	2006.01.07	X. XX±0.15		
REV.	DESCRIPTION	DATE	X. XXX±0.05		

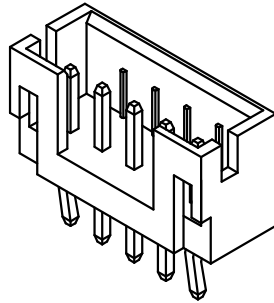


Ordering Information & Specifications

Part No.	Wire Range	Insulation O.D.	Material	Finish	Qty/reel
A2100-TPe	AWG#24-#28	1.50mm(max)	Phosphor Bronze	Tin-plated	10,000pcs

Note:e-Stamping before Tin-plated

广瑞电子科技有限公司					
			UNIT	SCALE	SHEET
			mm		1 of 1
			DRAWN BY	APPROVED BY	TITLE:
			SUSAN	HENLY	2.00mm PITCH CRIMP TERMINAL
			2001.02.01	2001.02.01	
			GENERAL TOLERANCE		
			X. X $\pm$ 0.25	ANGLE $\pm$	
B0	NEW RELEASE	2006.01.07	X. XX $\pm$ 0.15	▽ ⊕	DRAW NO. :
REV.	DESCRIPTION	DATE	X. XXX $\pm$ 0.05		A2100-XX



Ordering Information:

A2100WV-XP \*  
1 2

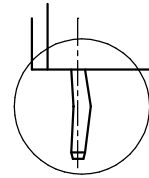
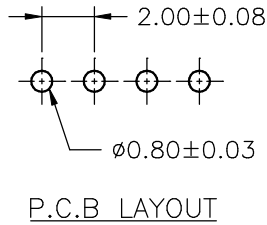
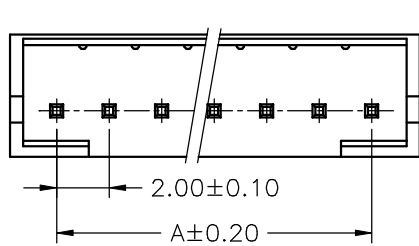
- 1-Part No.
- 2-Style:
- 1-Type 1
- 2-Type 2
- 3-Type 3

SPECIFICATIONS

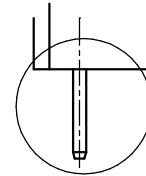
Current Rating: 3A AC,DC  
 Voltage Rating: 300V AC,DC  
 Temperature Range: -25°C ~ +85°C  
 Contact Resistance: 20mΩ Max  
 Insulation Resistance: 100MΩ Min  
 Withstanding Voltage: 1000V AC/minute  
 Pin Material: Brass/Tin-plated  
 Material: Nylon 66,UL94V-0  
 Pantone Color: 153C~154C

Ordering Information & Dimensions

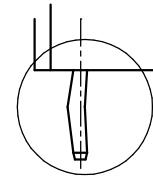
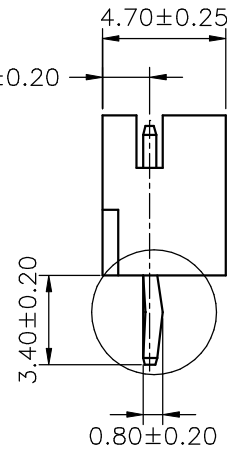
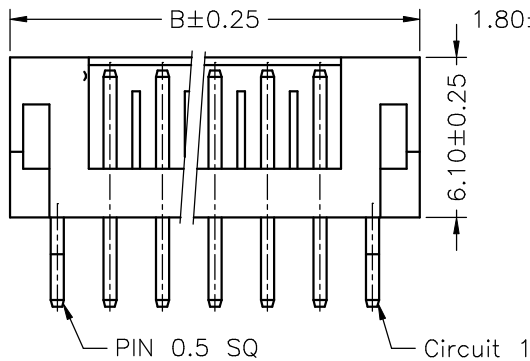
PART NO.	Dimensions	
	A	B
A2100WV-2P	2.00	6.00
A2100WV-3P	4.00	8.00
A2100WV-4P	6.00	10.00
A2100WV-5P	8.00	12.00
A2100WV-6P	10.00	14.00
A2100WV-7P	12.00	16.00
A2100WV-8P	14.00	18.00
A2100WV-9P	16.00	20.00
A2100WV-10P	18.00	22.00
A2100WV-11P	20.00	24.00
A2100WV-12P	22.00	26.00
A2100WV-13P	24.00	28.00
A2100WV-14P	26.00	30.00
A2100WV-15P	28.00	32.00



TYPE 1

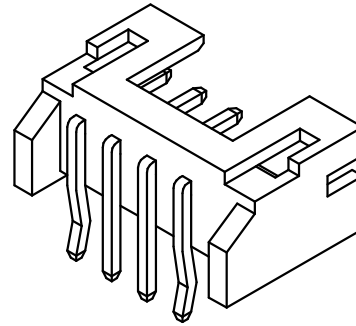


TYPE 3



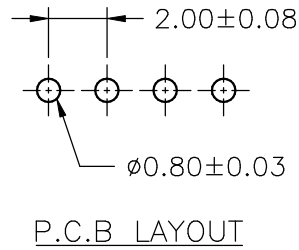
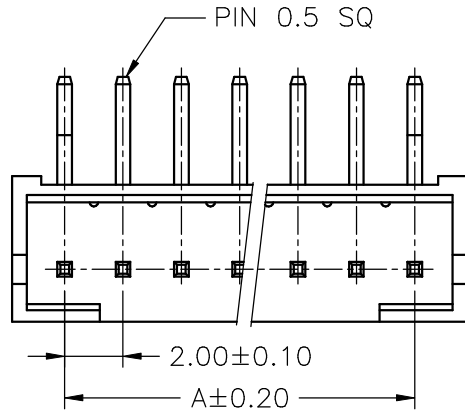
TYPE 2

广瑞电子科技有限公司					
UNIT	SCALE	SHEET	TITLE:		
mm		1 of 1	2.00mm PITCH 180° WAFER		
DRAWN BY SUSAN 2001.02.01		APPROVED BY HENLY 2001.02.01			
GENERAL TOLERANCE					
	X. X±0.25	ANGLE±		DRAW NO. : A2100WV-XPX	
BO	X. XX±0.15	REV. BO			
REV.	X. XXX±0.05			NEW RELEASE	2006.01.07
		DESCRIPTION	DATE		



**SPECIFICATIONS**

Current Rating: 3A AC,DC  
 Voltage Rating: 300V AC,DC  
 Temperature Range: -25°C ~ +85°C  
 Contact Resistance: 20mΩ Max  
 Insulation Resistance: 100MΩ Min  
 Withstanding Voltage: 1000V AC/minute  
 Pin Material: Brass/Tin-plated  
 Material: Nylon 66,UL94V-0  
 Pantone Color: 153C~154C



**Ordering Information:**

A2100WR-XP\*  
 1 2

1.Part No.

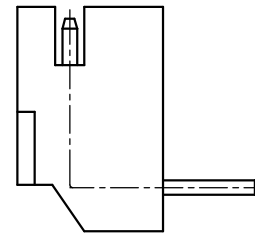
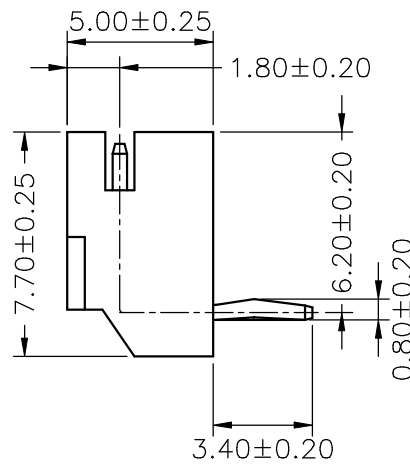
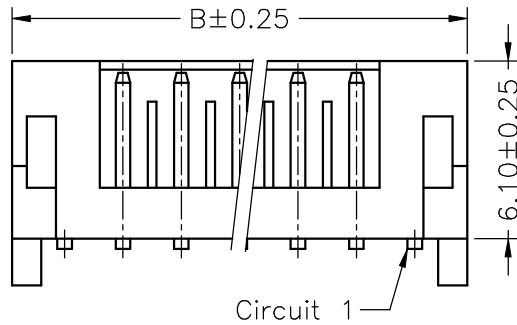
2.Style:

1-Type 1

2-Type 2

**Ordering Information & Dimensions**

PART NO.	Dimensions	
	A	B
A2100WR-2P	2.00	6.00
A2100WR-3P	4.00	8.00
A2100WR-4P	6.00	10.00
A2100WR-5P	8.00	12.00
A2100WR-6P	10.00	14.00
A2100WR-7P	12.00	16.00
A2100WR-8P	14.00	18.00
A2100WR-9P	16.00	20.00
A2100WR-10P	18.00	22.00
A2100WR-11P	20.00	24.00
A2100WR-12P	22.00	26.00
A2100WR-13P	24.00	28.00
A2100WR-14P	26.00	30.00
A2100WR-15P	28.00	32.00



TYPE 2

TYPE 1

广瑞电子科技有限公司

UNIT	SCALE	SHEET	TITLE:
mm		1 of 1	
DRAWN BY	APPROVED BY	2.00mm PITCH 90° WAFER	
SUAN	HENLY		
2001.02.01	2001.02.01	DRAW NO. : A2100WR-XPX	
GENERAL TOLERANCE		REV. B0	
X. X±0.25	ANGLE±		
X. XX±0.15	⊕		
X. XXX±0.05	⊗		
B0	NEW RELEASE	2006.01.07	
REV.	DESCRIPTION	DATE	