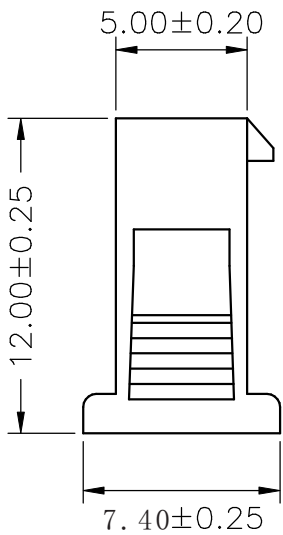
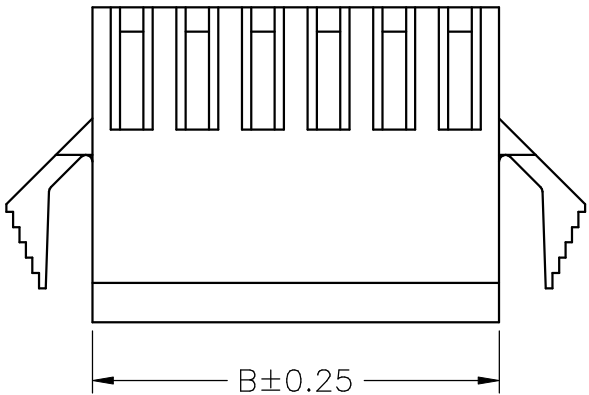
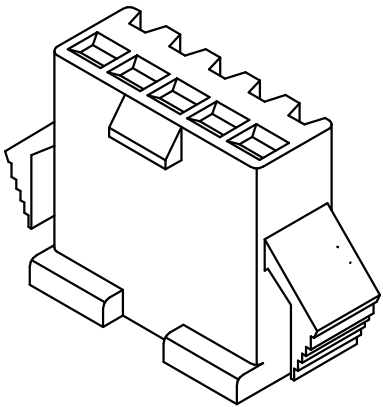
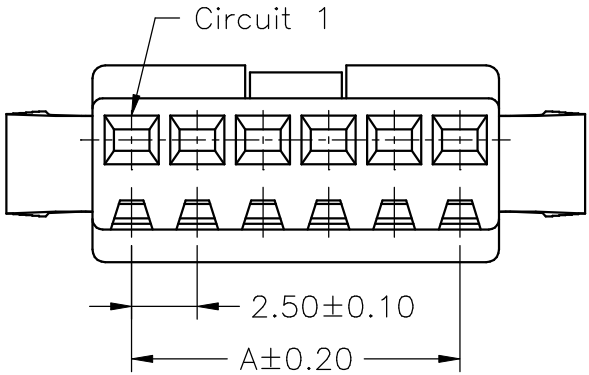


SPECIFICATIONS

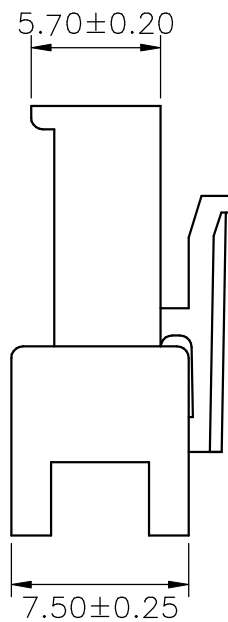
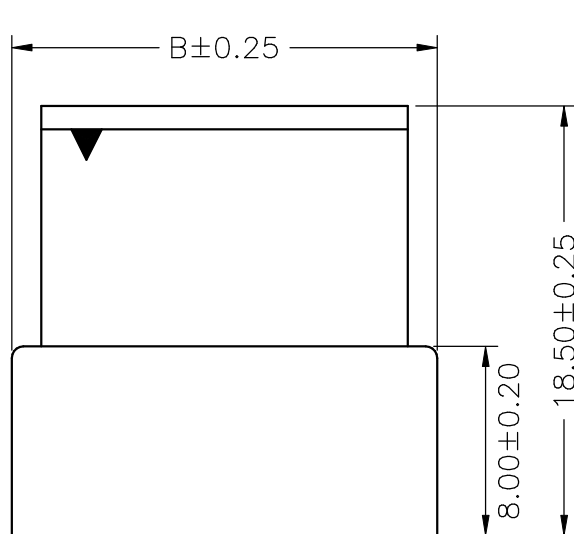
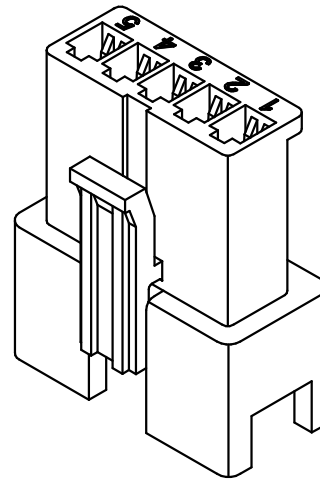
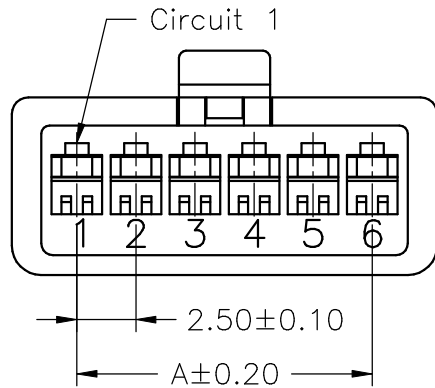
Current Rating: 3A AC,DC
 Voltage Rating: 250V AC,DC
 Temperature Range: -25°C ~ +85°C
 Contact Resistance: 10mΩ Max
 Insulation Resistance: 500MΩ Min
 Withstanding Voltage: 1500V AC/minute
 Material: Nylon 66,UL94V-0
 Color: Black

Ordering Information & Dimensions

PART NO.	Dimensions	
	A	B
C2505HF-2P	2.50	5.50
C2505HF-3P	5.00	8.00
C2505HF-4P	7.50	10.50
C2505HF-5P	10.00	13.00
C2505HF-6P	12.50	15.50
C2505HF-7P	15.00	18.00
C2505HF-8P	17.50	20.50
C2505HF-9P	20.00	23.00
C2505HF-10P	22.50	25.50
C2505HF-11P	25.00	28.00
C2505HF-12P	27.50	30.50



广瑞电子科技有限公司				
UNIT	SCALE	SHEET	TITLE:	
mm		1 of 1	2.50mm PITCH HOUSING-RECEPTACLE	
DRAWN BY SUSAN 2001.02.01	APPROVED BY HENLY 2001.02.01			
GENERAL TOLERANCE				
B1	REVISE	2005.11.24	X. X±0.25	ANGLE±
B0	NEW RELEASE	2005.10.17	X. XX±0.15	
REV.	DESCRIPTION	DATE	X. XXX±0.05	
DRAW NO. : C2505HF-XP				REV. B1



SPECIFICATIONS

Current Rating: 3A AC,DC

Voltage Rating: 250V AC,DC

Temperature Range: -25°C ~ +85°C

Contact Resistance: 10mΩ Max

Insulation Resistance: 500MΩ Min

Withstanding Voltage: 1500V AC/minute

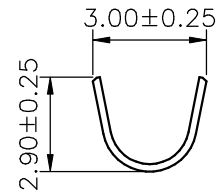
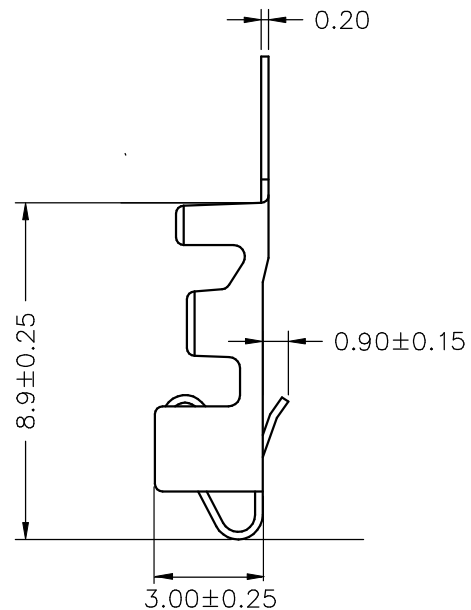
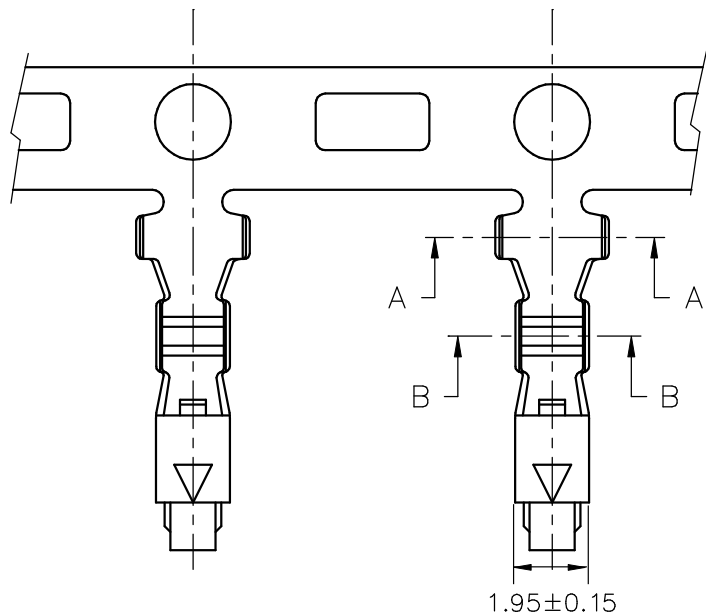
Material: Nylon 66,UL94V-0

Color: Black

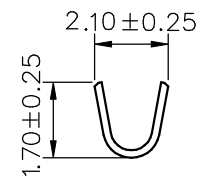
Ordering Information & Dimensions

PART NO.	Dimensions	
	A	B
C2505HM-2P	2.50	8.00
C2505HM-3P	5.00	10.50
C2505HM-4P	7.50	13.00
C2505HM-5P	10.00	15.50
C2505HM-6P	12.50	18.00
C2505HM-7P	15.00	20.50
C2505HM-8P	17.50	23.00
C2505HM-9P	20.00	25.50
C2505HM-10P	22.50	28.00
C2505HM-11P	25.00	30.50
C2505HM-12P	27.50	33.00

广瑞电子科技有限公司				
UNIT	SCALE	SHEET	TITLE:	
mm		1 of 1	2.50mm PITCH HOUSING-PLUG	
DRAWN BY SUSAN 2001.02.01	APPROVED BY HENLY 2001.02.01			
GENERAL TOLERANCE				
		X. X±0.25	ANGLE±	
B0	NEW RELEASE	2005.10.17	X. XX±0.15	DRAW NO. : C2505HM-XP
REV.	DESCRIPTION	DATE	X. XXX±0.05	



SEC:A-A



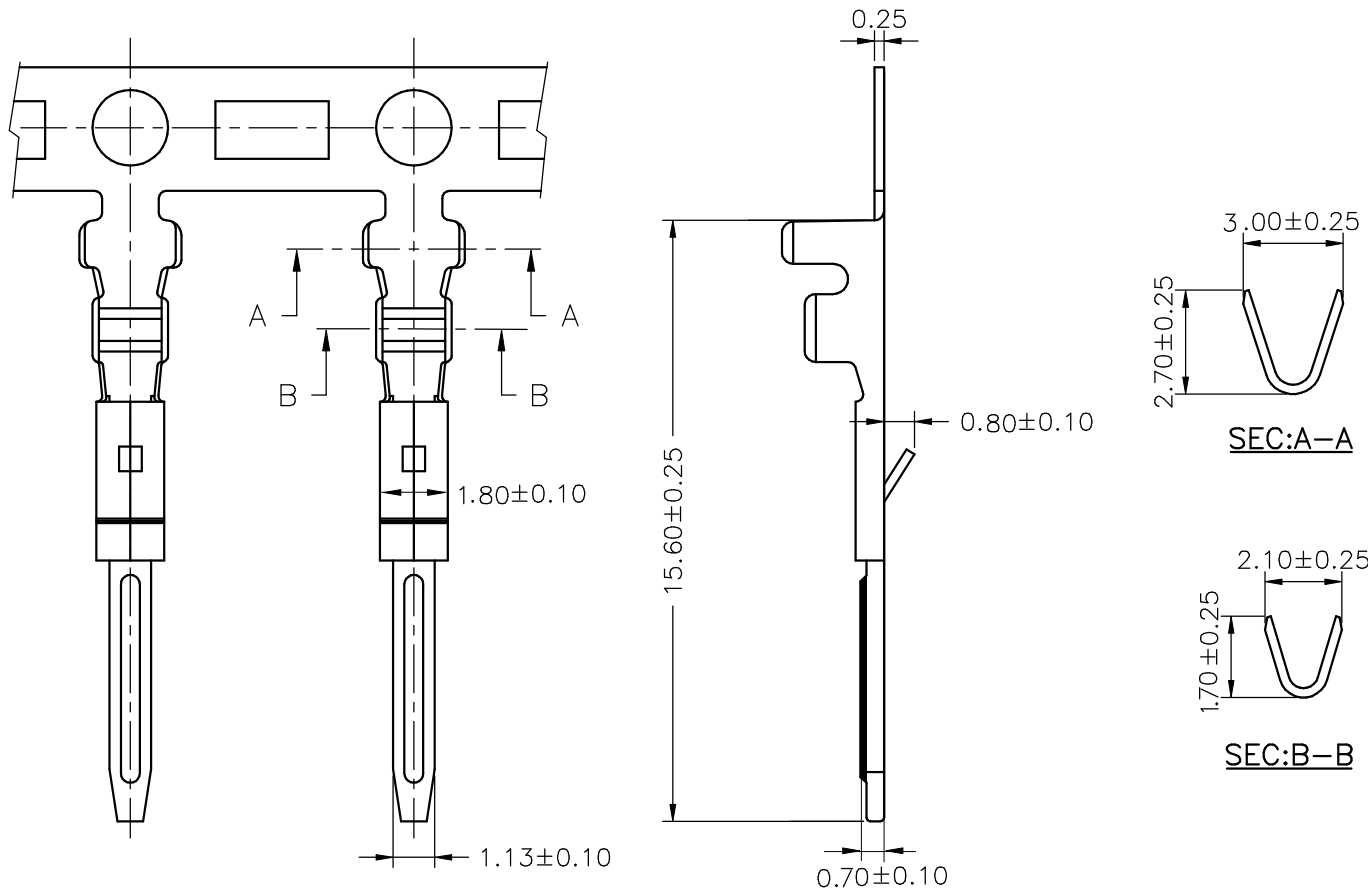
SEC:B-B

Ordering Information & Specifications

Part No	Wire Range	Insulation O.D.	Material	Finish	Qty/reel
C2505F-TBe	AWG#22-#28	1.80mm(max)	Brass	Tin-plated	7,000pcs

Note:e-Stamping before Tin-plated

						广瑞电子科技有限公司			
						UNIT	SCALE	SHEET	TITLE:
						mm		1 of 1	
						DRAWN BY	APPROVED BY		2.50mm PITCH CRIMP TERMINAL-FEMALE
						Susan	Henly		
						2001.02.01	2001.02.01		
						GENERAL TOLERANCE			
B1	REVISE	2005.11.24	X.X±0.25	ANGLE±		DRAW NO. : C2505F-XX			
B0	NEW RELEASE	2005.10.17	X.XX±0.15						
REV.	DESCRIPTION	DATE	X.XXX±0.05						
						REV. B1			



Ordering Information & Specifications

Part No	Wire Range	Insulation O.D.	Material	Finish	Qty/reel
C2505M-TBe	AWG#22-#28	1.80mm(max)	Brass	Tin-plated	5,000pcs

Note:e-Stamping before Tin-plated

广瑞电子科技有限公司					
			UNIT	SCALE	SHEET
			mm		1 of 1
			DRAWN BY	APPROVED BY	TITLE:
			SUSAN	HENLY	2.50mm PITCH
			2001.02.01	2001.02.01	CRIMP TERMINAL-MALE
			GENERAL TOLERANCE		
B1	REVISE	2005.11.24	X. X \pm 0.25	ANGLE \pm	
B0	NEW RELEASE	2005.10.17	X. XX \pm 0.15		
REV.	DESCRIPTION	DATE	X. XXX \pm 0.05	∇ \oslash	DRAW NO. : C2505M-XX
					REV. B1