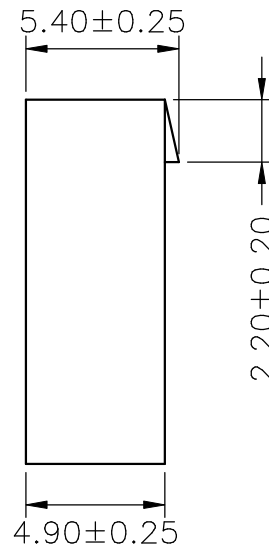
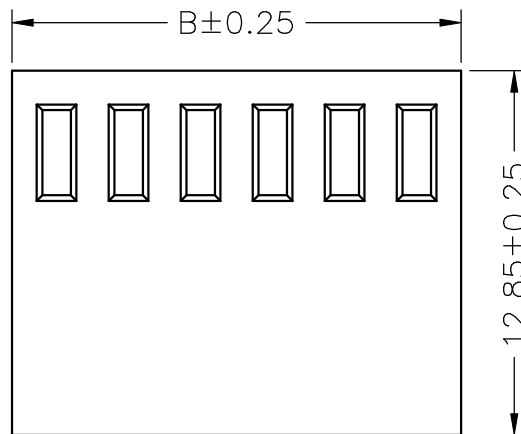
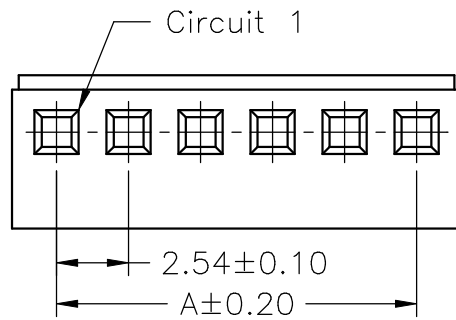
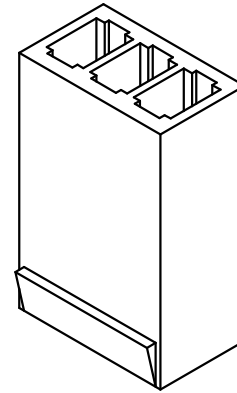


SPECIFICATIONS

Current Rating: 4A AC,DC
 Voltage Rating: 250V AC,DC
 Temperature Range: -25°C ~ +85°C
 Contact Resistance: 10mΩ Max
 Insulation Resistance: 1000MΩ Min
 Withstanding Voltage: 1000V AC/minute
 Material: Nylon 66,UL94V-2
 Pantone Color: 1685C

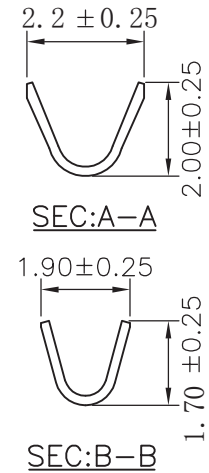
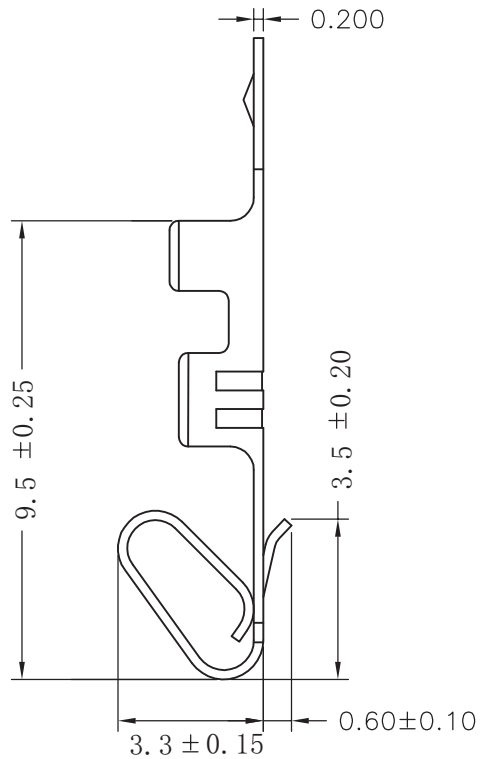
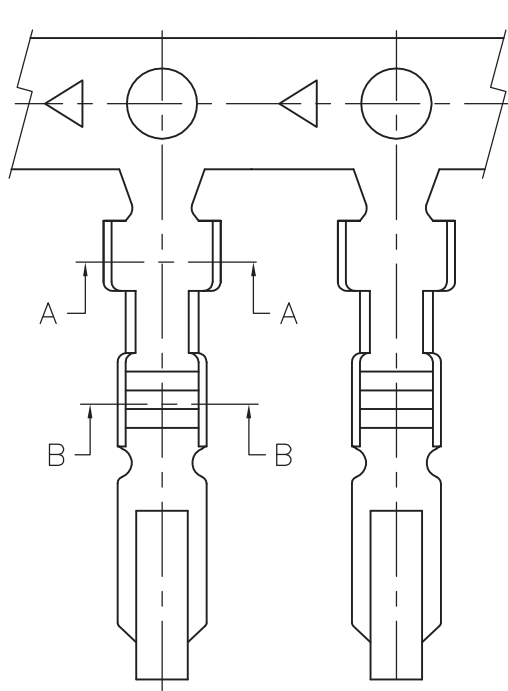
Ordering Information & Dimensions

PART NO.	Dimensions	
	A	B
A2542HB-02P	2.54	5.68
A2542HB-03P	5.08	8.22
A2542HB-04P	7.62	10.76
A2542HB-05P	10.16	13.30
A2542HB-06P	12.70	15.84
A2542HB-07P	15.24	18.38
A2542HB-08P	17.78	20.92
A2542HB-09P	20.32	23.46
A2542HB-10P	22.86	26.00
A2542HB-11P	25.40	28.54
A2542HB-12P	27.94	31.08
A2542HB-13P	30.48	33.62
A2542HB-14P	33.02	36.16
A2542HB-15P	35.56	38.70
A2542HB-16P	38.10	41.24
A2542HB-17P	40.64	43.78
A2542HB-18P	43.18	46.32
A2542HB-19P	45.72	48.86
A2542HB-20P	48.26	51.40



广瑞电子科技有限公司

			UNIT	SCALE	SHEET	TITLE:
			mm		1 of 1	
			DRAWN BY	APPROVED BY		2.54mm PITCH HOUSING
			SUSAN	HENLY		
			2002.07.26	2002.07.26		
			GENERAL TOLERANCE			
			X. X±0.25	ANGLE±		
B0	NEW RELEASE	2006.04.12	X. XX±0.15	▽		DRAW NO. :
REV.	DESCRIPTION	DATE	X. XXX±0.05	⊕		A2542HB-XP
						REV. B0



Ordering Information & Specifications

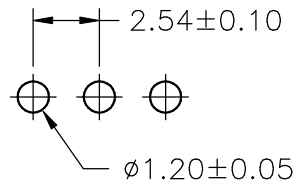
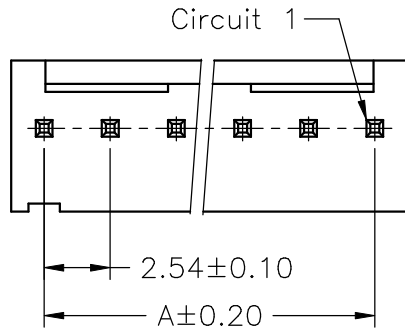
Part No	Wire Range	Insulation O.D.	Material	Finish	Qty/reel
A2510-TBE	AWG#24-#30	1.57mm(max)	Brass	Tin-plated	10,000pcs
A2510-GPE	AWG#24-#30	1.57mm(max)	Brass	Gold-flash	
A2510-TPE	AWG#24-#30	1.57mm(max)	Phosphor Bronze	Tin-plated	

Note:E-Stamping before Tin-plated or Gold-flash

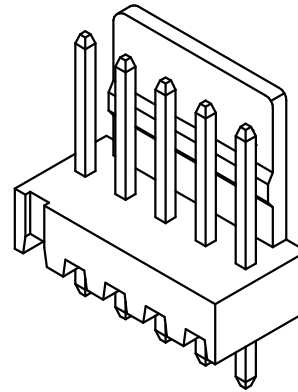
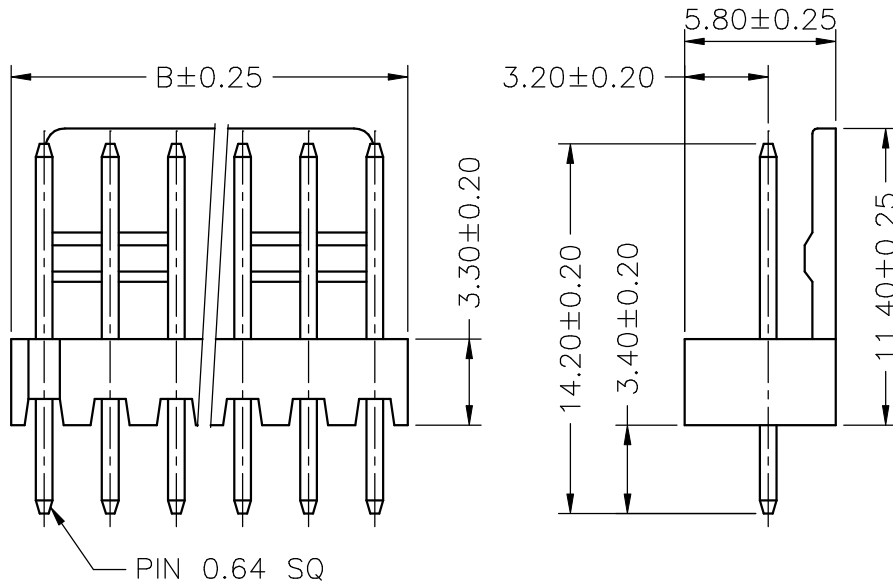
			广瑞电子科技有限公司				
UNIT	SCALE	SHEET	TITLE:				
mm		1 of 1	2.54mm PITCH CRIMP TERMINAL				
C0	REVISE	2007.03.12					
B5	REVISE	2006.09.19				DRAWN BY SUSAN	APPROVED BY HENLY
B4	REVISE	2006.05.11				2001.02.01	2001.02.01
B3	REVISE	2006.03.31				GENERAL TOLERANCE	
B2	REVISE	2006.01.18	GENERAL TOLERANCE				
B1	REVISE	2005.11.22	X.X ±0.25	ANGLE ±			
B0	NEW RELEASE	2005.09.06	X.XX ±0.15				
REV.	DESCRIPTION	DATE	X.XXX ±0.05				

DRAW NO.: A2510-XX

REV. CO



P.C.B LAYOUT



SPECIFICATIONS

Current Rating: 4A AC,DC
 Voltage Rating: 250V AC,DC
 Temperature Range: -25°C ~ +85°C
 Contact Resistance: 10mΩ Max
 Insulation Resistance: 1000MΩ Min
 Withstanding Voltage: 1000V AC/minute
 Pin Material: Brass/Tin-plated
 Material: Nylon 66,UL94V-2
 Pantone Color: 7506C

Ordering Information & Dimensions

PART NO.	Dimensions	
	A	B
A2542WV-02P	2.54	5.08
A2542WV-03P	5.08	7.62
A2542WV-04P	7.62	10.16
A2542WV-05P	10.16	12.70
A2542WV-06P	12.70	15.24
A2542WV-07P	15.24	17.78
A2542WV-08P	17.78	20.32
A2542WV-09P	20.32	22.86
A2542WV-10P	22.86	25.40
A2542WV-11P	25.40	27.94
A2542WV-12P	27.94	30.48
A2542WV-13P	30.48	33.02
A2542WV-14P	33.02	35.56
A2542WV-15P	35.56	38.10
A2542WV-16P	38.10	40.64
A2542WV-17P	40.64	43.18
A2542WV-18P	43.18	45.72
A2542WV-19P	45.72	48.26
A2542WV-20P	48.26	50.80

广瑞电子科技有限公司					
UNIT	SCALE	SHEET	TITLE:		
mm		1 of 1	2.54mm PITCH 180° WAFER		
DRAWN BY	APPROVED BY				
SUSAN	HENLY				
2001.02.01	2001.02.01				
GENERAL TOLERANCE					
	X. X±0.25	ANGLE±			
B0	NEW RELEASE	2006.04.12	X. XX±0.15	DRAW NO. : A2542WV-XP	
REV.	DESCRIPTION	DATE	X. XXX±0.05		REV. B0