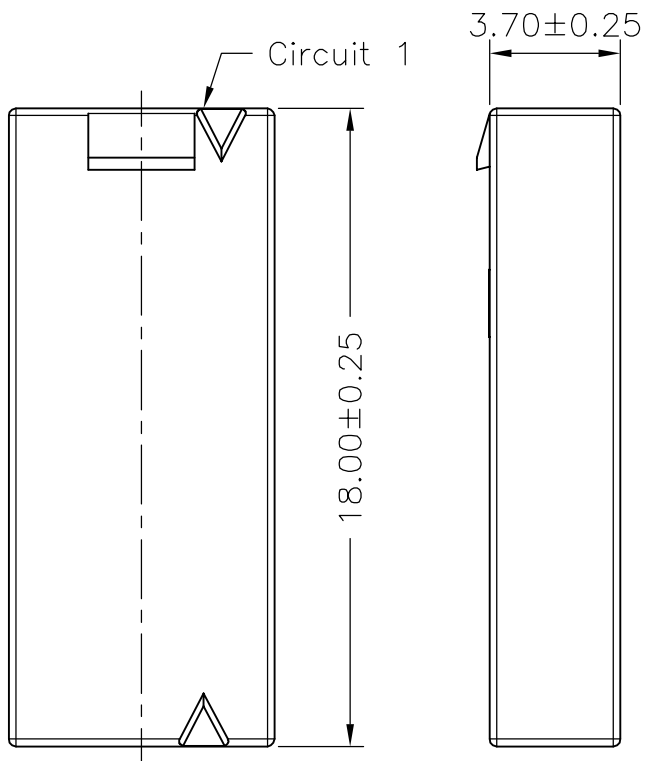
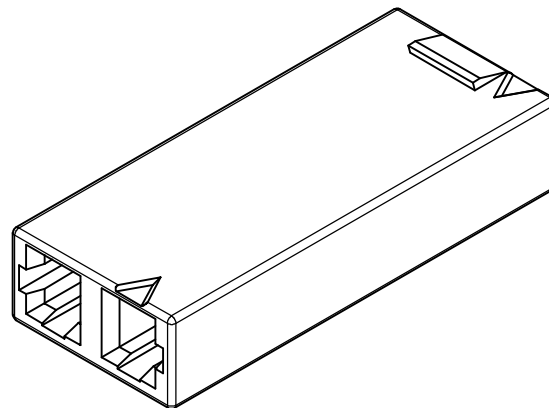
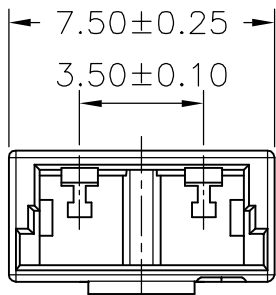


SPECIFICATIONS

Current Rating: 1A AC,DC
 Voltage Rating: 1400V AC,DC
 Temperature Range: $-25^{\circ}\text{C} \sim +85^{\circ}\text{C}$
 Contact Resistance: $10\text{m}\Omega$ Max
 Insulation Resistance: $1000\text{M}\Omega$ Min
 Withstanding Voltage: 3800V AC/minute
 Material: Nylon 66,UL94V-0
 Color: Natural(White)

				广瑞电子科技有限公司			
		UNIT	SCALE	SHEET	TITLE:		
		mm		1 of 1	P/N: A3501H-02P		
		DRAWN BY	APPROVED BY		3.50mm PITCH		
		2006.06.16	2006.06.16		HOUSING WITH LOCK,		
		GENERAL TOLERANCE				ULTRA LOW PROFILE	
		X. X \pm 0.25	ANGLE \pm		DRAW NO. :		
A0	NEW RELEASE	2006.06.16	X. XX \pm 0.15		A3501H-02P	REV.	
REV.	DESCRIPTION	DATE	X. XXX \pm 0.05			A0	



SPECIFICATIONS

Current Rating: 1A AC,DC
 Voltage Rating: 1400V AC,DC
 Temperature Range: -25°C ~ +85°C
 Contact Resistance: 10mΩ Max
 Insulation Resistance: 1000MΩ Min
 Withstanding Voltage: 3800V AC/minute
 Material: Nylon 66,UL94V-0
 Color: Natural(White)

				广瑞电子科技有限公司	
		UNIT	SCALE	SHEET	TITLE :
		mm		1 of 1	
		DRAWN BY	APPROVED BY		
		2009.04.16	2009.04.16		
		GENERAL TOLERANCE			
		X X ±0.25	ANGLE ±		
A0	NEW RELEASE	2009.04.16	X XX ±0.15		DRAW NO. :
REV.	DESCRIPTION	DATE	X XXX ±0.05		A3501HM-02P
					REV. A0

P/N : A3501HM-02P
 3.50mm PITCH HOUSING WITH
 LOCK ULTRA LOW PROFILE