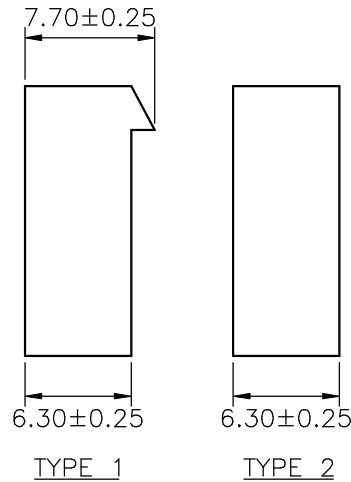
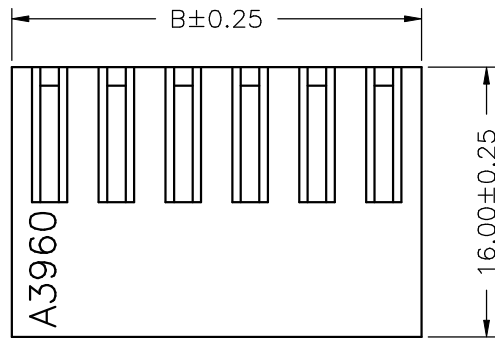
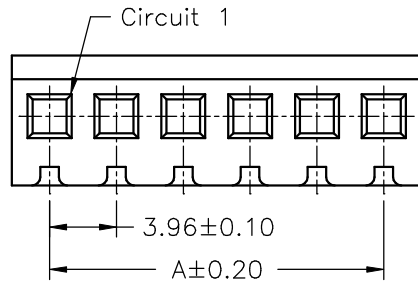
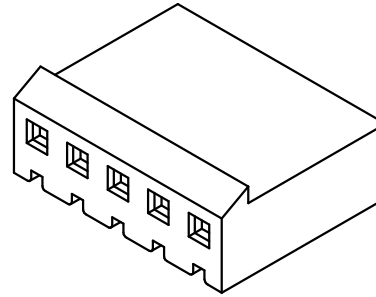


SPECIFICATIONS

Current Rating: 7A AC,DC
 Voltage Rating: 250V AC,DC
 Temperature Range: -25°C ~ +85°C
 Contact Resistance: 10mΩ Max
 Insulation Resistance: 1000MΩ Min
 Withstanding Voltage: 1500V AC/minute
 Material: Nylon 66,UL94V-2
 Color: Natural(Translucent)



Ordering Information:

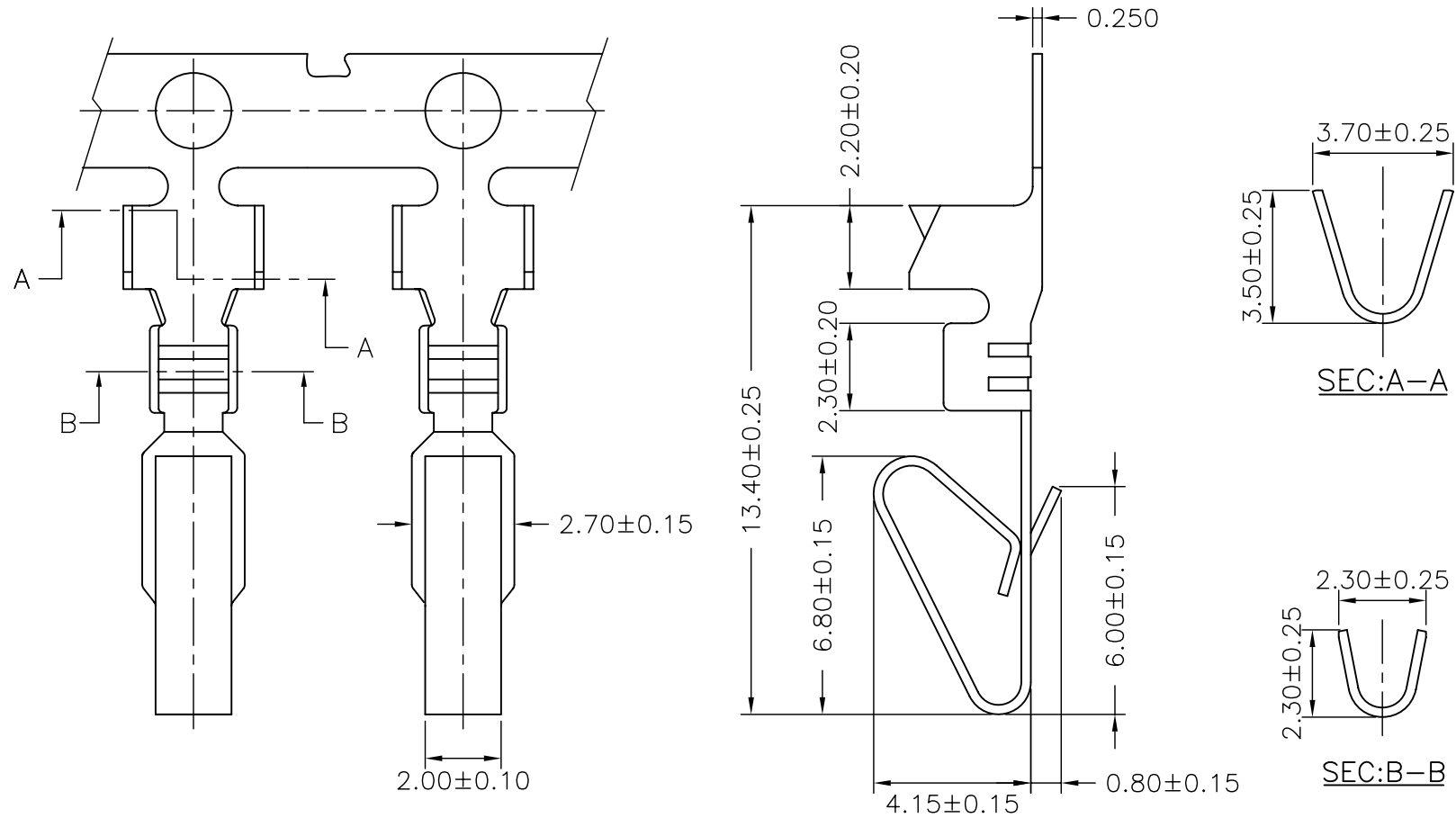
A3960H-XP-*
 1 2
 1.Part No.
 2.Style:
 1-Type 1
 2-Type 2

Ordering Information & Dimensions

PART NO.	Dimensions	
	A	B
A3960H-02P	3.96	8.43
A3960H-03P	7.92	12.39
A3960H-04P	11.88	16.35
A3960H-05P	15.84	20.31
A3960H-06P	19.80	24.27
A3960H-07P	23.76	28.23
A3960H-08P	27.72	32.19
A3960H-09P	31.68	36.15
A3960H-10P	35.64	40.11
A3960H-11P	39.60	44.07
A3960H-12P	43.56	48.03
A3960H-13P	47.52	51.99
A3960H-14P	51.48	55.95
A3960H-15P	55.44	59.91
A3960H-16P	59.40	63.87
A3960H-17P	63.36	67.83
A3960H-18P	67.32	71.79
A3960H-19P	71.28	75.75
A3960H-20P	75.24	79.71

广瑞电子科技有限公司

UNIT	SCALE	SHEET	TITLE:
mm		1 of 1	3.96mm PITCH HOUSING
DRAWN BY SHUSAN 2001.02.01	APPROVED BY HENLY 2001.02.01		
GENERAL TOLERANCE			DRAW NO. : A3960H-XP
X. X±0.25	ANGLE±		
B0	NEW RELEASE	2006.05.29	REV. B0
REV.	DESCRIPTION	DATE	



Ordering Information & Specifications

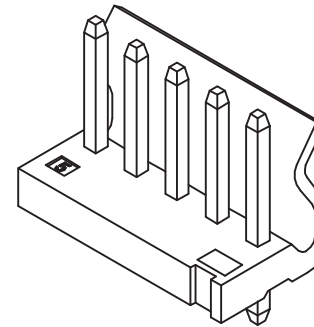
Part No	Wire Range	Insulation O.D.	Material	Finish	Qty/reel
A3960-TBE	AWG#18-#24	2.80mm(max)	Brass	Tin-plated	6,000pcs
A3960-GBE	AWG#18-#24	2.80mm(max)	Brass	Gold-flash	6,000pcs

Note:E-Stamping before Tin-plated or Gold-flash

广瑞电子科技有限公司					
UNIT	SCALE	SHEET	TITLE:		
mm		1 of 1	3.96mm PITCH CRIMP TERMINAL		
DRAWN BY SUSAN		APPROVED BY HENLY			
2001.02.01		2001.02.01			
GENERAL TOLERANCE					
B1	REVISE	2006.06.13	X.X±0.25	ANGLE±	
B0	NEW RELEASE	2006.05.29	X.XX±0.15		
REV.	DESCRIPTION	DATE	X.XXX±0.05		
			DRAW NO. :		REV.
			A3960-XX		B1

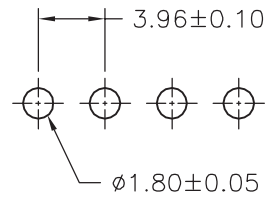
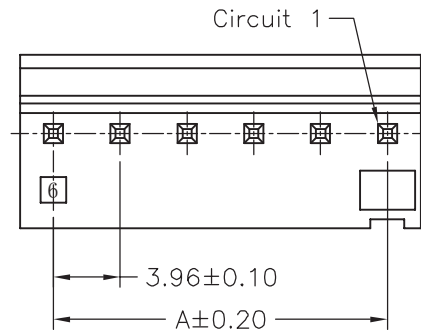
SPECIFICATIONS

Current Rating: 7A AC,DC
 Voltage Rating: 250V AC,DC
 Temperature Range: -25°C ~ +85°C
 Contact Resistance: 10mΩ Max
 Insulation Resistance: 1000MΩ Min
 Withstanding Voltage: 1500V AC/minute
 Pin Material: Brass/Tin-plated
 Material: Nylon 66,UL94V-2
 Color: Natural(Translucent)

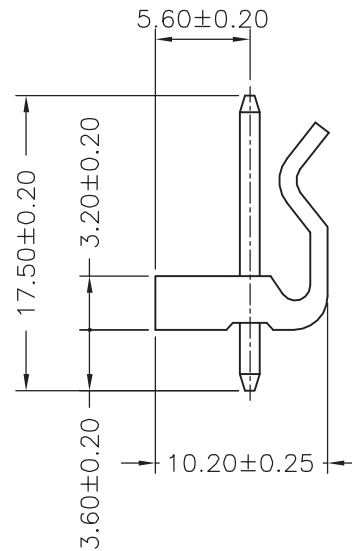
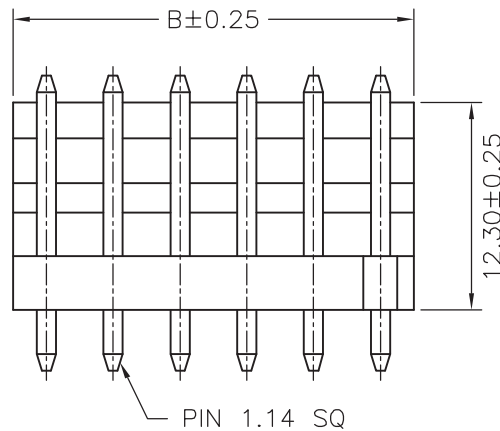


Ordering Information & Dimensions

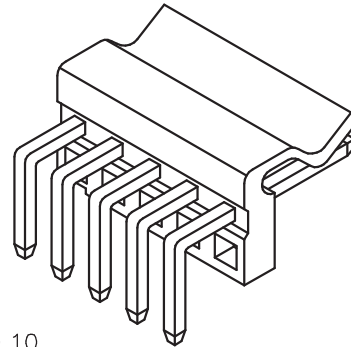
PART NO.	Dimensions	
	A	B
A3960WV-02P	3.96	7.92
A3960WV-03P	7.92	11.88
A3960WV-04P	11.88	15.84
A3960WV-05P	15.84	19.80
A3960WV-06P	19.80	23.76
A3960WV-07P	23.76	27.72
A3960WV-08P	27.72	31.68
A3960WV-09P	31.68	35.64
A3960WV-10P	35.64	39.60
A3960WV-11P	39.60	43.56
A3960WV-12P	43.56	47.52
A3960WV-13P	47.52	51.48
A3960WV-14P	51.48	55.44
A3960WV-15P	55.44	59.40
A3960WV-16P	59.40	63.36
A3960WV-17P	63.36	67.32
A3960WV-18P	67.32	71.28
A3960WV-19P	71.28	75.24
A3960WV-20P	75.24	79.20



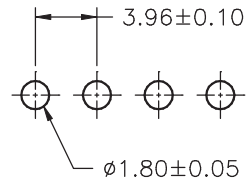
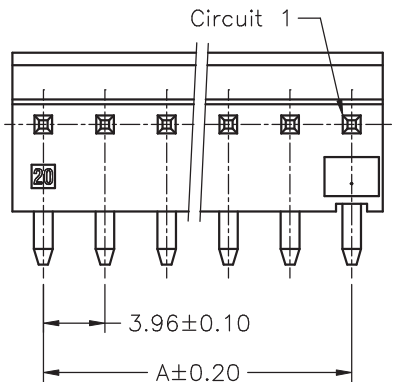
P.C.B LAYOUT



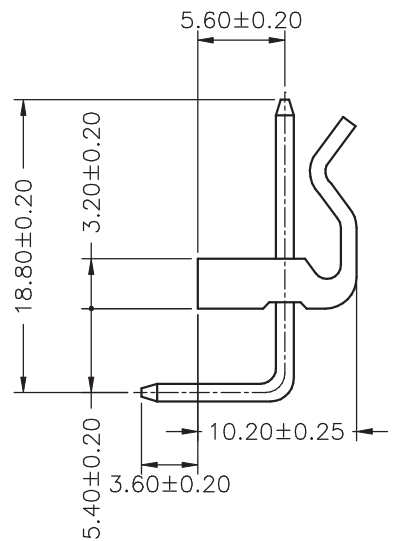
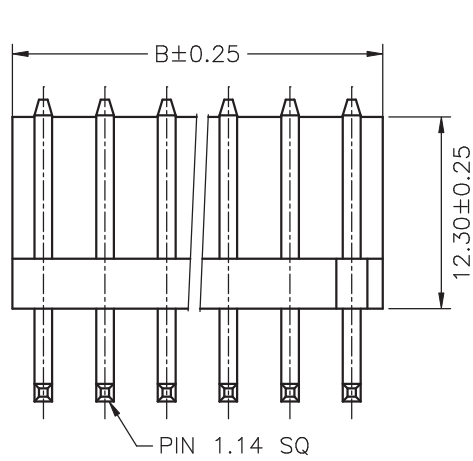
广瑞电子科技有限公司					
UNIT	SCALE	SHEET	TITLE:		
mm		1 of 1	3.96mm PITCH 180° WAFER		
DRAWN BY		APPROVED BY			
SUSAN		HENLY			
2001.02.01		2001.02.01			
GENERAL TOLERANCE					
B1	REVISE	2006.10.31	X.X±0.25	ANGLE±	
B0	NEW RELEASE	2006.05.29	X.XX±0.15		
REV.	DESCRIPTION	DATE	X.XXX±0.05		
			DRW NO.:	REV. B1	
			A3960WV-XP		



SPECIFICATIONS
 Current Rating: 7A AC,DC
 Voltage Rating: 250V AC,DC
 Temperature Range: -25°C ~ +85°C
 Contact Resistance: 10mΩ Max
 Insulation Resistance: 1000MΩ Min
 Withstanding Voltage: 1500V AC/minute
 Pin Material: Brass/Tin-plated
 Material: Nylon 66,UL94V-2
 Color: Natural(Translucent)



P.C.B. LAYOUT



Ordering Information & Dimensions

PART NO.	Dimensions	
	A	B
A3960WR-02P	3.96	7.92
A3960WR-03P	7.92	11.88
A3960WR-04P	11.88	15.84
A3960WR-05P	15.84	19.80
A3960WR-06P	19.80	23.76
A3960WR-07P	23.76	27.72
A3960WR-08P	27.72	31.68
A3960WR-09P	31.68	35.64
A3960WR-10P	35.64	39.60
A3960WR-11P	39.60	43.56
A3960WR-12P	43.56	47.52
A3960WR-13P	47.52	51.48
A3960WR-14P	51.48	55.44
A3960WR-15P	55.44	59.40
A3960WR-16P	59.40	63.36
A3960WR-17P	63.36	67.32
A3960WR-18P	67.32	71.28
A3960WR-19P	71.28	75.24
A3960WR-20P	75.24	79.20

				广瑞电子科技有限公司	
		UNIT	SCALE	SHEET	TITLE:
		mm		1 of 1	3.96mm PITCH 90° WAFER
		DRAWN BY SUSAN 2001.02.01		APPROVED BY HENLY 2001.02.01	
		GENERAL TOLERANCE			
		X. X±0.25		ANGLE±	
BO	NEW RELEASE	2006.05.29	X. XX±0.15		DRAW NO. :
REV.	DESCRIPTION	DATE	X. XXX±0.05		A3960WR-XP