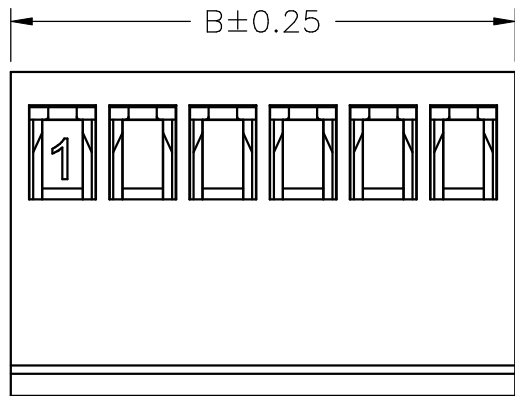


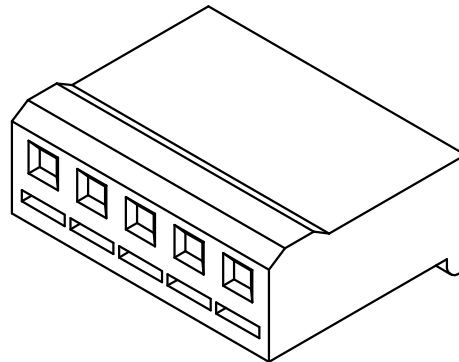
3.96±0.10

A±0.20

B±0.25



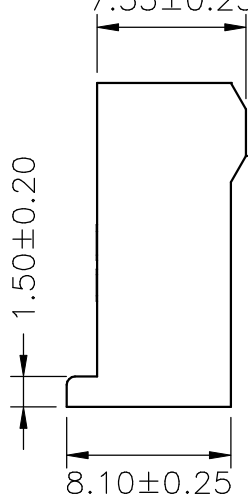
16.00±0.25



7.35±0.25

1.50±0.20

8.10±0.25



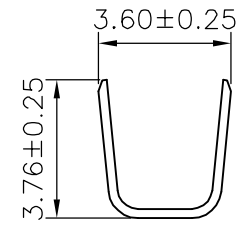
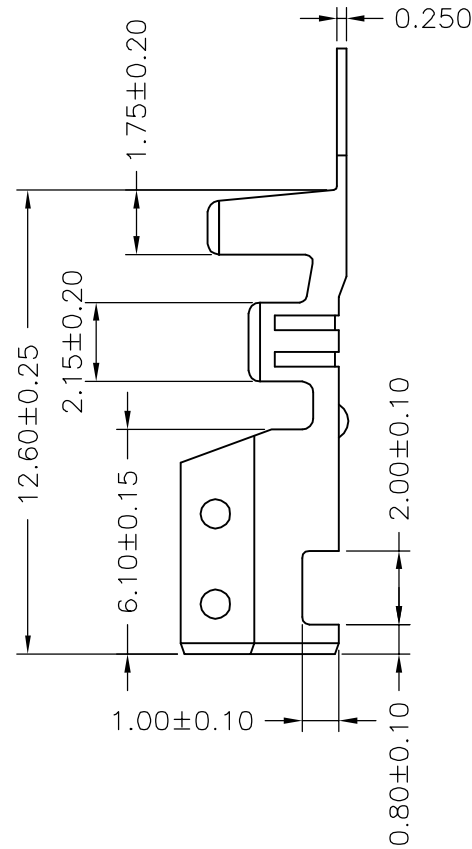
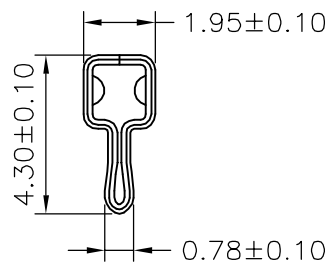
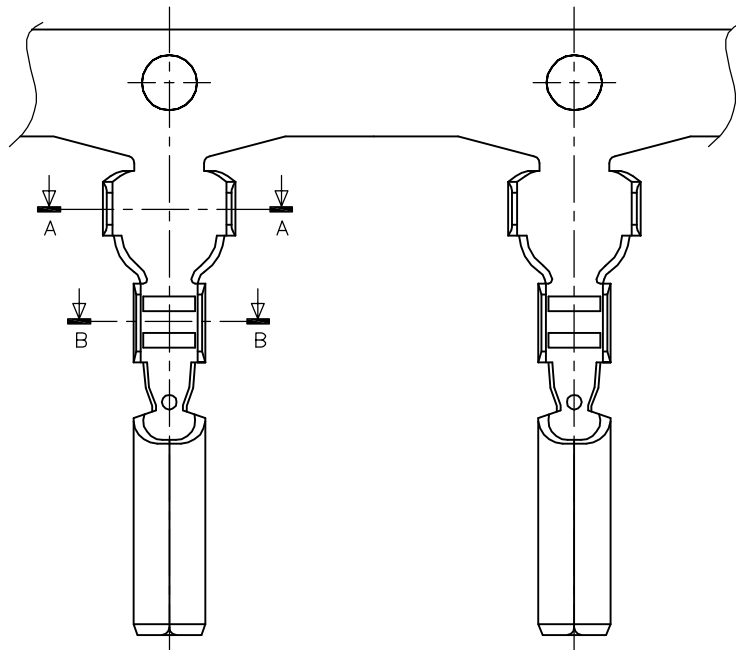
SPECIFICATIONS

Current Rating: 7A AC,DC
 Voltage Rating: 250V AC,DC
 Temperature Range: -25°C ~ +85°C
 Contact Resistance: 10mΩ Max
 Insulation Resistance: 1000MΩ Min
 Withstanding Voltage: 1500V AC/minute
 Material: Nylon 66,UL94V-2
 Color: Natural(Translucent)

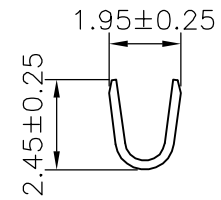
Ordering Information & Dimensions

PART NO.	Dimensions	
	A	B
A3962H-02P	3.96	9.06
A3962H-03P	7.92	13.02
A3962H-04P	11.88	16.98
A3962H-05P	15.84	20.94
A3962H-06P	19.80	24.90
A3962H-07P	23.76	28.86
A3962H-08P	27.72	32.82
A3962H-09P	31.68	36.78
A3962H-10P	35.64	40.74
A3962H-11P	39.60	44.70
A3962H-12P	43.56	48.66

广瑞电子科技有限公司				
UNIT	SCALE	SHEET	TITLE:	
mm		1 of 1	3.96mm PITCH HOUSING	
DRAWN BY SUSAN 2001.02.01		APPROVED BY HENLY 2001.02.01		
GENERAL TOLERANCE				
B1	REVISE	2006.05.14	X. X±0.25	ANGLE±
B0	NEW RELEASE	2005.12.02	X. XX±0.15	
REV.	DESCRIPTION	DATE	X. XXX±0.05	
DRAW NO. :			A3962H-XP	REV. B1



SEC:A-A



SEC:B-B

Ordering Information & Specifications

Part No.	Wire Range	Insulation O.D.	Material	Finish	Qty/reel
A3962-TBE	AWG#18-#24	3.20mm(max)	Brass	Tin-plated	5,000pcs

Note:E-Stamping before Tin-plated

广瑞电子科技有限公司

UNIT		SCALE	SHEET	TITLE:
mm			1 of 1	
DRAWN BY		APPROVED BY		3.96mm PITCH CRIMP TERMINAL
SUSAN		HENLY		
2001.02.01		2001.02.01		
GENERAL TOLERANCE				
B2	REVISE	2007.09.14	ANGLE±	
B1	REVISE	2006.05.14	X.X±0.25	
B0	NEW RELEASE	2005.12.02	X.XX±0.15	
REV.	DESCRIPTION	DATE	X.XXX±0.05	
DRAW NO.:				REV.
A3962-XX				B2