

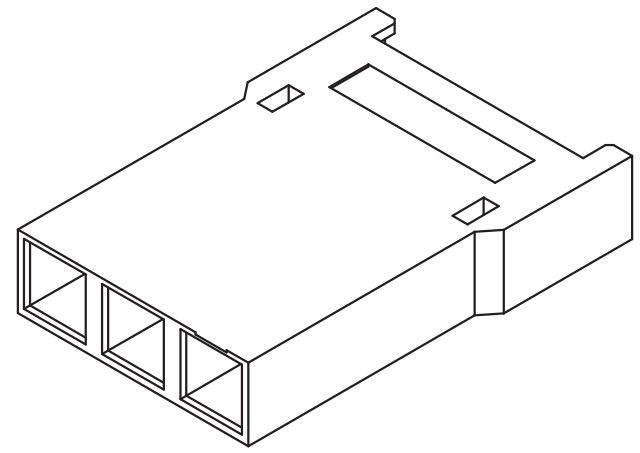
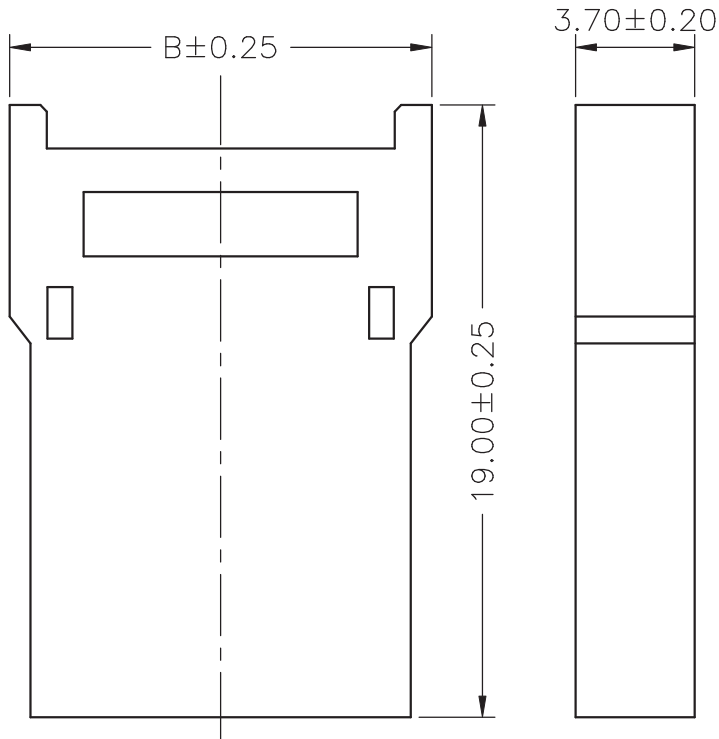
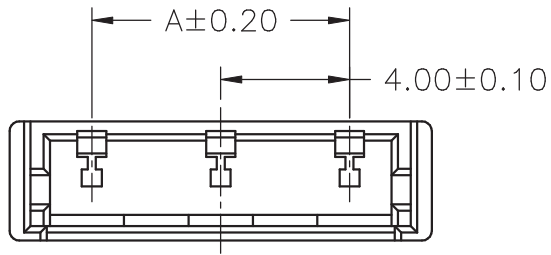
SPECIFICATIONS

Current Rating: 1A AC,DC
 Voltage Rating: 600V AC,DC
 Temperature Range: -25°C ~ +85°C
 Contact Resistance: 10mΩ Max
 Insulation Resistance: 1000MΩ Min
 Withstanding Voltage: 1800V AC/minute
 Material: Nylon66,UL94V-0
 Color: Natural(White)

Ordering Information & Dimensions

PART NO.	Dimensions	
	A	B
A4000H-02P	4.00	9.80
A4000H-03P	8.00	13.80
A4000H-04P	12.00	17.80
A4000H-05P	16.00	21.80

广瑞电子科技有限公司					
UNIT	SCALE	SHEET	TITLE:		
mm		1 of 1	4.00mm PITCH HOUSING		
DRAWN BY	APPROVED BY	DRAW NO. :			
SUSAN	HENLY	A4000H-XP			
2001.02.01	2001.02.01	REV. B0			
GENERAL TOLERANCE			REV. B0		
X. X±0.25	ANGLE±				
X. XX±0.15	⌀				
X. XXX±0.05					
B0	NEW RELEASE	2006.05.17			
REV.	DESCRIPTION	DATE			

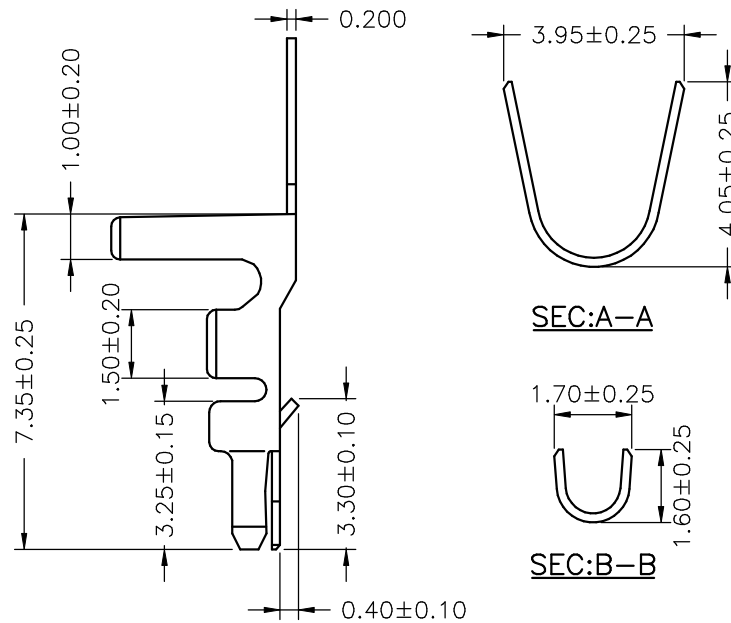
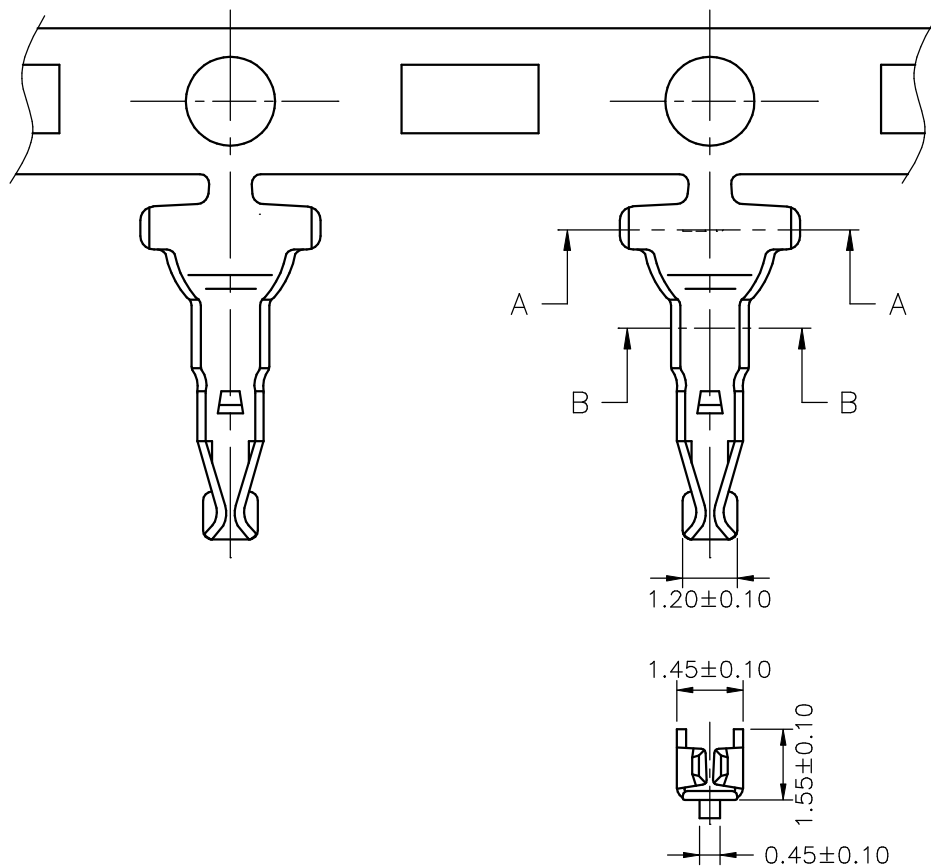


SPECIFICATIONS
 Current Rating: 1A AC,DC
 Voltage Rating: 600V AC,DC
 Temperature Range: -25°C ~ +85°C
 Contact Resistance: 10mΩ Max
 Insulation Resistance: 1000MΩ Min
 Withstanding Voltage: 1800V AC/minute
 Material: Nylon66,UL94V-0
 Color: Natural(White)

Ordering Information & Dimensions

PART NO.	Dimensions	
	A	B
A4000HM-02P	4.00	9.10
A4000HM-03P	8.00	13.10
A4000HM-04P	12.00	17.10
A4000HM-05P	16.00	21.10

广瑞电子科技有限公司					
UNIT	SCALE	SHEET	TITLE:		
mm		1 of 1	4.00mm PITCH HOUSING-PLUG		
DRAWN BY	APPROVED BY				
SUSAN	HENLY				
2003.04.15	2003.04.15				
GENERAL TOLERANCE					
	X. X±0.25	ANGLE±			
B0	NEW RELEASE	2006.05.17	X. XX±0.15	DRAW NO. : A4000HM-XP	
REV.	DESCRIPTION	DATE	X. XXX±0.05		REV. B0

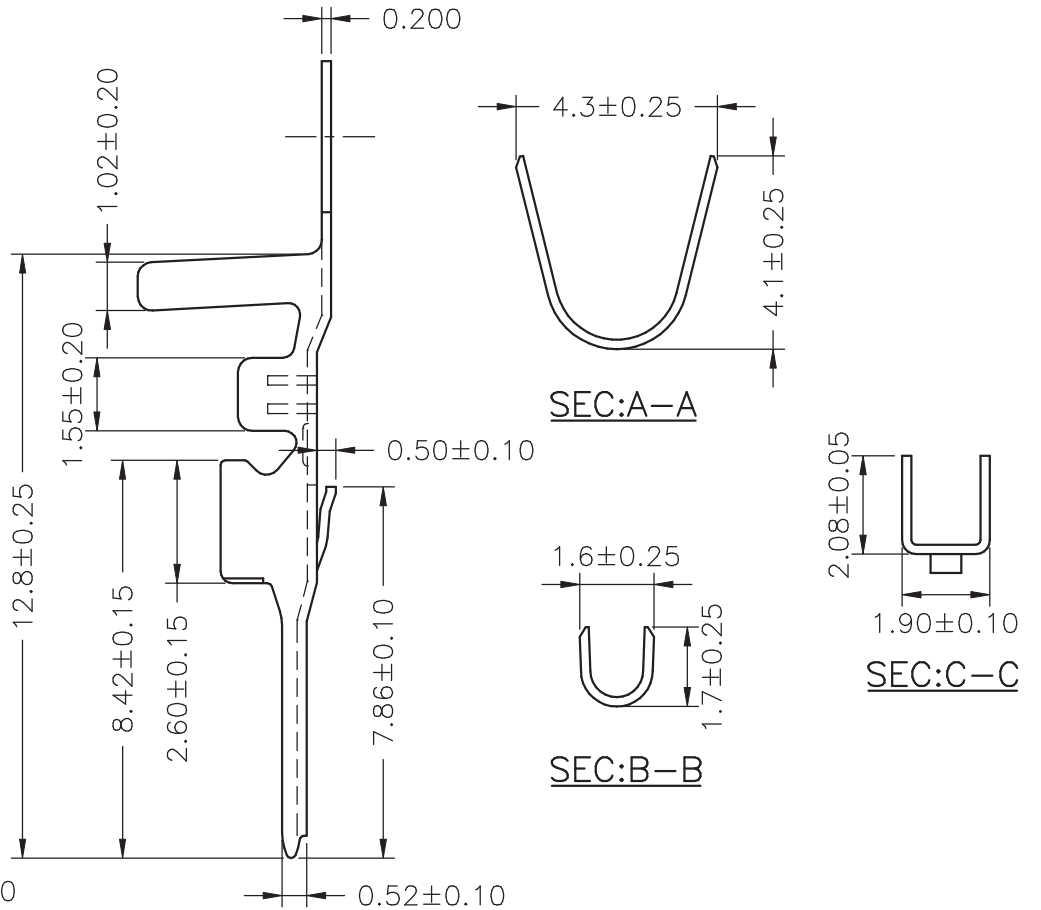
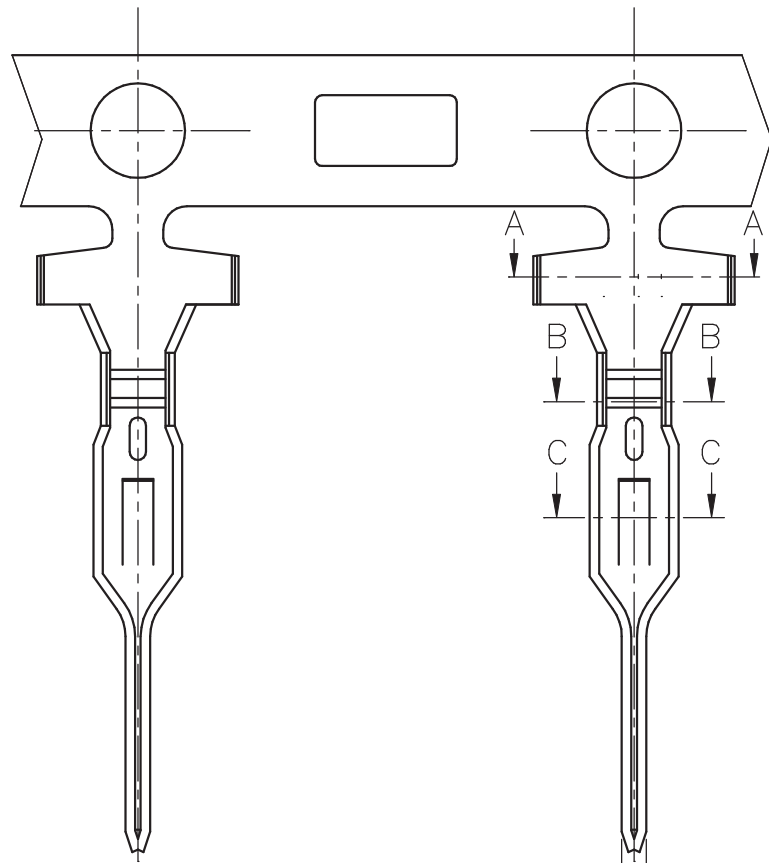


Ordering Information & Specifications

Part No	Wire Range	Insulation O.D.	Material	Finish	Qty/reel
A4000-TP	AWG#22-#28	2.40mm(max)	Phosphor Bronze	Tin-plated	5,000pcs
A4000-TPE	AWG#22-#28	2.40mm(max)	Phosphor Bronze	Tin-plated	5,000pcs

Note:E-Stamping before Tin-plated

广瑞电子科技有限公司					
UNIT	SCALE	SHEET	TITLE:		
mm		1 of 1	4.00mm PITCH CRIMP TERMINAL		
DRAWN BY SUSAN		APPROVED BY HENLY			
2001.02.01		2001.02.01			
GENERAL TOLERANCE					
X. XX±0.15		ANGLE±			
X. XXX±0.05		▽			
BO	NEW RELEASE	2006.05.17	DRAW NO. : A4000-XX		
REV.	DESCRIPTION	DATE	REV. B0		

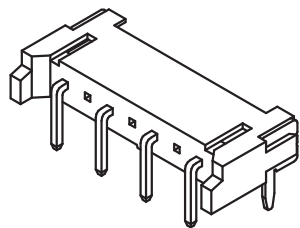
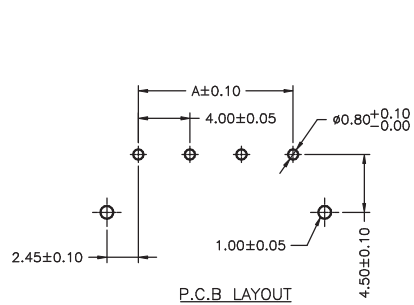


Ordering Information & Specifications

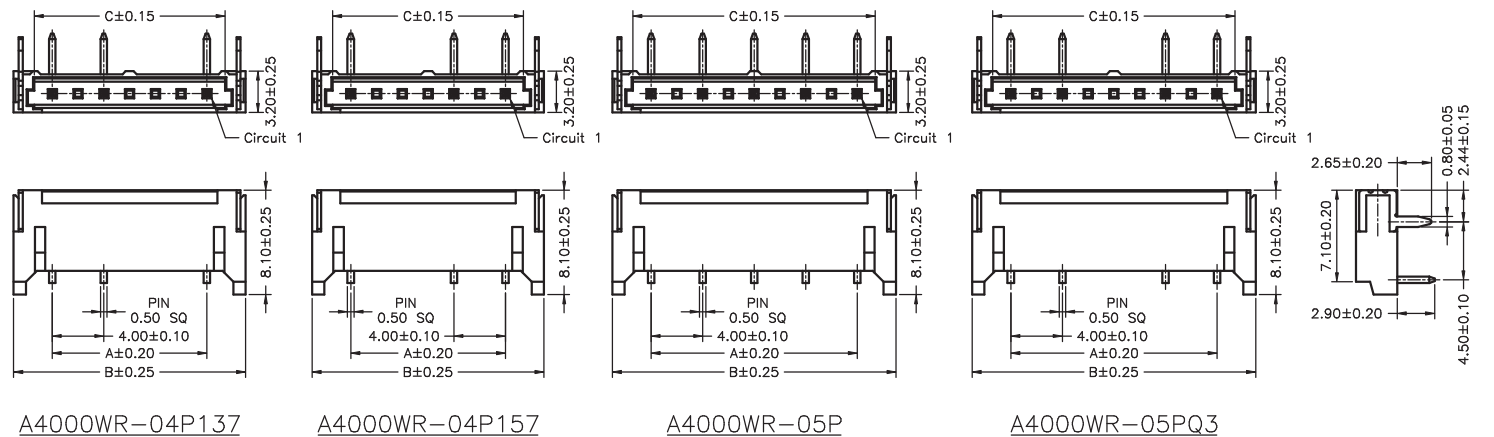
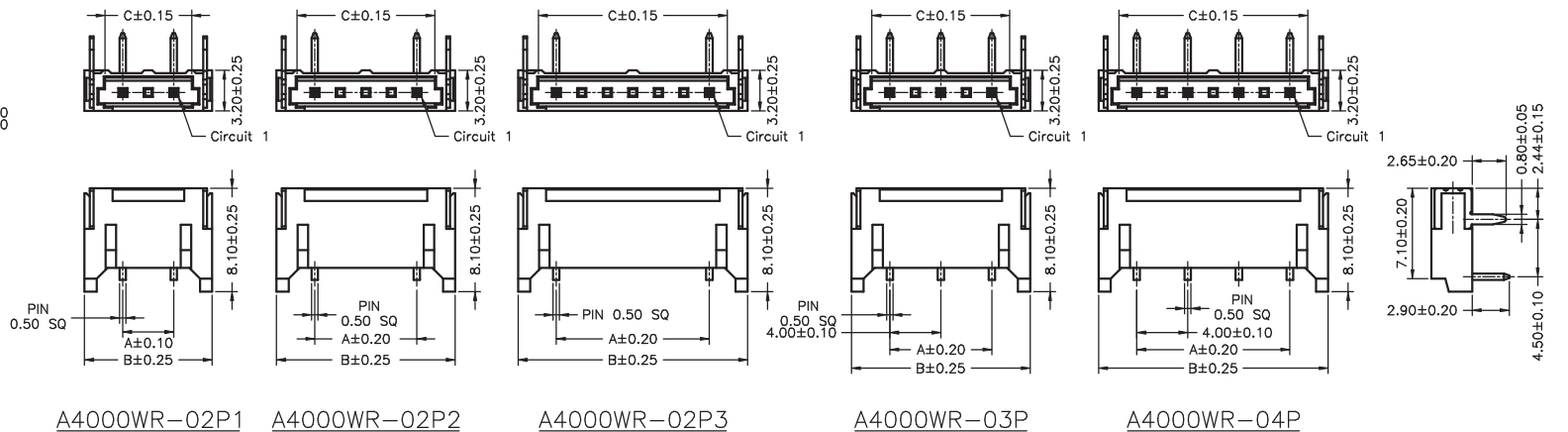
Part No	Wire Range	Insulation O.D.	Material	Finish	Qty/reel
A4000M-TPE	AWG#22-#28	2.40mm(max)	Phosphor Bronze	Tin-plated	5,000pcs

Note:E-Stamping before Tin-plated

广瑞电子科技有限公司					
UNIT	SCALE	SHEET	TITLE:		
mm		1 of 1	4.00mm PITCH CRIMP TERMINAL-MALE		
DRAWN BY	APPROVED BY				
SUSAN	HENLY		DRAW NO. : A4000M-XX		
2003.06.02	2003.06.02		REV. B0		
GENERAL TOLERANCE					
X. X±0.25	ANGLE±				
X. XX±0.15	▽				
X. XXX±0.05	⊕				
B0	NEW RELEASE	2006.05.17			
REV.	DESCRIPTION	DATE			



SPECIFICATIONS
 Current Rating: 1A AC,DC
 Voltage Rating: 600V AC,DC
 Temperature Range: -25°C ~ +85°C
 Contact Resistance: 10mΩ Max
 Insulation Resistance: 1000MΩ Min
 Withstanding Voltage: 1800V AC/minute
 Pin Material: Brass/Tin-plated
 Solder Tabs: Brass/Tin-plated
 Material: Nylon 6T,UL94V-0
 Color: Natural(Beige)



Ordering Information & Dimensions

PART NO.	Dimensions		
	A	B	C
A4000WR-02P1	4.00	10.00	6.80
A4000WR-02P2	8.00	14.00	10.80
A4000WR-02P3	12.00	18.00	14.80
A4000WR-03P	8.00	14.00	10.80
A4000WR-04P	12.00	18.00	14.80
A4000WR-04P137	12.00	18.00	14.80
A4000WR-04P157	12.00	18.00	14.80
A4000WR-05P	16.00	22.00	18.80
A4000WR-05PQ3	16.00	22.00	18.80

广瑞电子科技有限公司			
UNIT	SCALE	SHEET	TITLE:
mm		1 of 2	4.00mm PITCH 90° WAFER
DRAWN BY SUSAN		APPROVED BY HENLY	
2006.05.17		2006.05.17	
GENERAL TOLERANCE			
X. X±0.25	ANGLE±		
X. XX±0.15	REV. DESCRIPTION		DRAW NO. :
X. XXX±0.05	DATE		A4000WR-XPX
			REV. A0