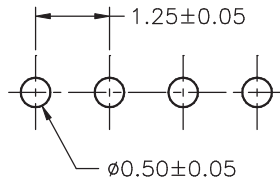
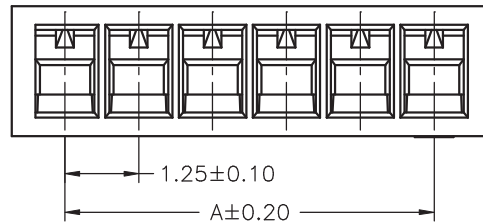


SPECIFICATIONS

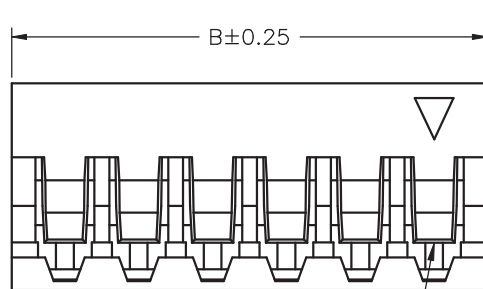
Current Rating: 1A AC,DC
 Voltage Rating: 125V AC,DC
 Temperature Range: $-25^{\circ}\text{C} \sim +85^{\circ}\text{C}$
 Contact Resistance: 20m Ω Max.
 Insulation Resistance: 100M Ω Min.
 Withstanding Voltage: 500V AC/minute
 Material: Nylon 66,UL94V-0
 Color: Natural(White)

Ordering Information & Dimensions

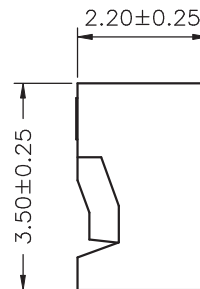
PART NO.	Dimensions	
	A	B
B1259HV-2P	1.25	3.05
B1259HV-3P	2.50	4.30
B1259HV-4P	3.75	5.55
B1259HV-5P	5.00	6.80
B1259HV-6P	6.25	8.05
B1259HV-7P	7.50	9.30
B1259HV-8P	8.75	10.55
B1259HV-9P	10.00	11.80
B1259HV-10P	11.25	13.05
B1259HV-11P	12.50	14.30
B1259HV-12P	13.75	15.55
B1259HV-13P	15.00	16.80
B1259HV-14P	16.25	18.05
B1259HV-15P	17.50	19.30



SUGGESTED PCB LAYOUT
(COMPONENT SIDE)

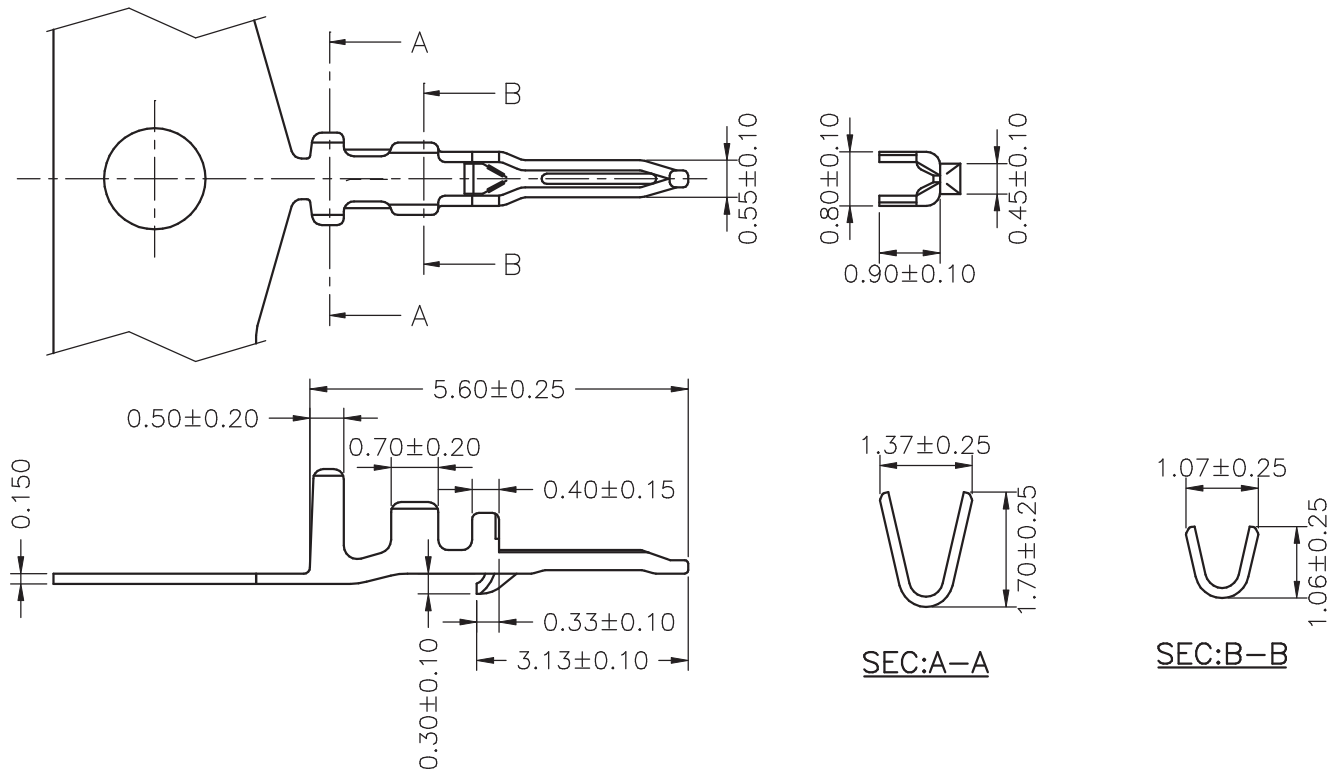


Circuit 1



东莞市广瑞电子科技有限公司

			UNIT	SCALE	SHEET	TITLE:
			mm		1 of 1	1.25mm PITCH 180° HOUSING, BOARD-IN CONNECTOR
			DRAWN BY	APPROVED BY		
			萧惠凤	SUSAN		
			2002.05.31	2002.06.05		
			GENERAL TOLERANCE			
			X. X±0.25	ANGLE±		
B0	NEW RELEASE	2005.12.06	X. XX±0.15			DRAW NO. :
REV.	DESCRIPTION	DATE	X. XXX±0.05			B1259HV-XP
						REV. B0



Ordering Information & Specifications

Part No.	Wire Range	Insulation O.D.	Material	Finish	Qty/reel
B1259V-TPe	AWG#28-#32	1.00mm(max)	Phosphor Bronze	Tin-plated	15,000pcs

Note:e-Stamping before Tin-plated

						东莞市广瑞电子科技有限公司				
						UNIT	SCALE	SHEET	TITLE:	
						mm		1 of 1	1.25mm PITCH 180° CRIMP TERMINAL	
						DRAWN BY 萧惠凤 2002.05.31		APPROVED BY SUSAN 2002.06.05		
B2	REVISE	2006.03.08	GENERAL TOLERANCE							
B1	REVISE	2006.03.03	X. X±0.25	ANGLE±						
B0	NEW RELEASE	2005.12.06	X. XX±0.15							
REV.	DESCRIPTION	DATE	X. XXX±0.05			DRAW NO. :		REV.		
								B1259V-XX		B2