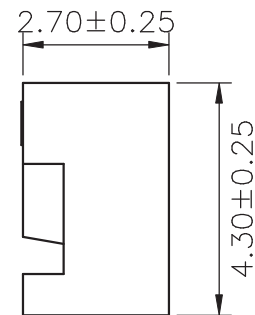
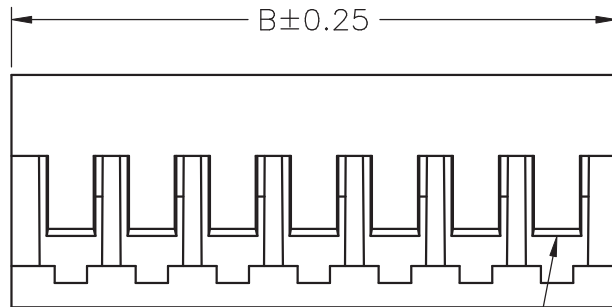
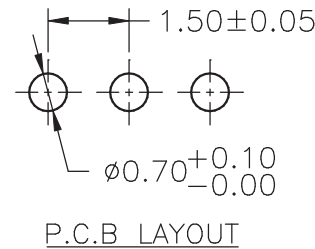
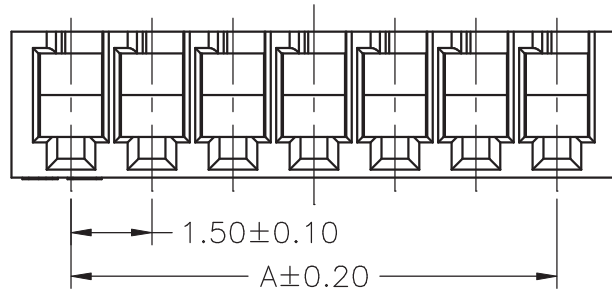


SPECIFICATIONS
 Current Rating: 1A AC,DC
 Voltage Rating: 200V AC,DC
 Temperature Range: -25°C ~ +85°C
 Contact Resistance: 20mΩ Max.
 Insulation Resistance: 500MΩ Min.
 Withstanding Voltage: 500V AC/minute
 Material: Nylon 66,UL94V-0
 Color: Natural(White)

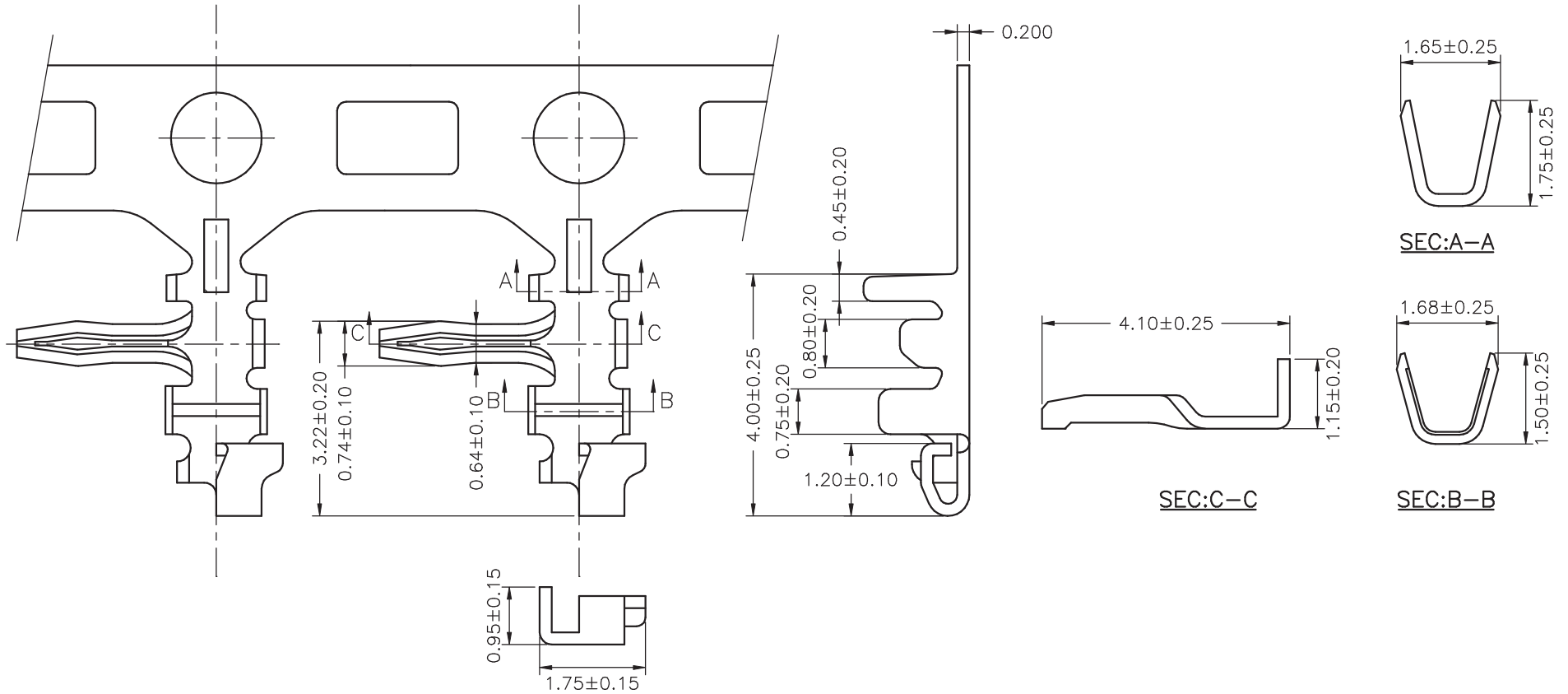
Ordering Information & Dimensions

PART NO.	Dimensions	
	A	B
B1502HR-2P	1.50	3.70
B1502HR-3P	3.00	5.20
B1502HR-4P	4.50	6.70
B1502HR-5P	6.00	8.20
B1502HR-6P	7.50	9.70
B1502HR-7P	9.00	11.20
B1502HR-8P	10.50	12.70
B1502HR-9P	12.00	14.20
B1502HR-10P	13.50	15.70
B1502HR-11P	15.00	17.20
B1502HR-12P	16.50	18.70
B1502HR-13P	18.00	20.20
B1502HR-14P	19.50	21.70
B1502HR-15P	21.00	23.20



Circuit 1

				广瑞电子科技有限公司			
		UNIT	SCALE	SHEET	TITLE:		
		mm		1 of 1	1.50mm PITCH 90° HOUSING		
		DRAWN BY	APPROVED BY				
		SHSAN	HENLY				
		2003.03.18	2003.03.18				
		GENERAL TOLERANCE					
		X. X±0.25	ANGLE±		DRAW NO. : B1502HR-XP		
B0		NEW RELEASE	2005.12.06	X. XX±0.15			REV. B0
REV.	DESCRIPTION	DATE	X. XXX±0.05				



Ordering Information & Specifications

Part No.	Wire Range	Insulation O.D.	Material	Finish	Qty/reel
B1502R-TBe	AWG#28-#30	1.00mm(max)	Brass	Tin-plated	15,000pcs

Note:e-Stamping before Tin-plated

广瑞电子科技有限公司					
UNIT	SCALE	SHEET	TITLE:		
mm		1 of 1	1.50mm PITCH 90° CRIMP TERMINAL		
DRAWN BY		APPROVED BY			
SUSAN		HENLY			
2003.05.10		2003.05.10			
GENERAL TOLERANCE					
	X. X±0.25	ANGLE±	DRAW NO. : B1502R-XX REV. B0		
B0	X. XX±0.15	▽			
REV.	X. XXX±0.05	⊕			
	NEW RELEASE	2005.12.06			
	DESCRIPTION	DATE			