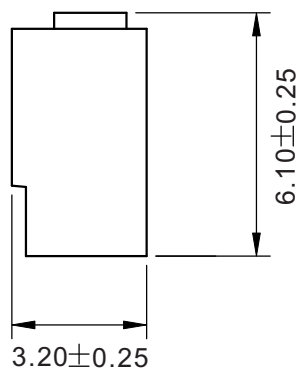
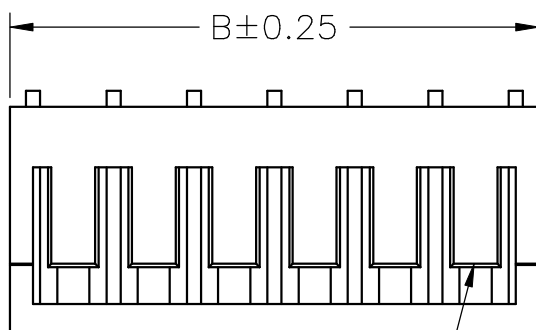
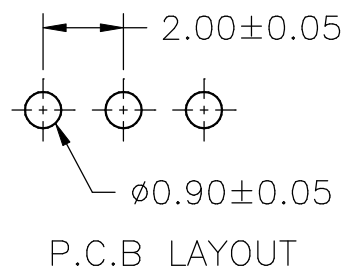
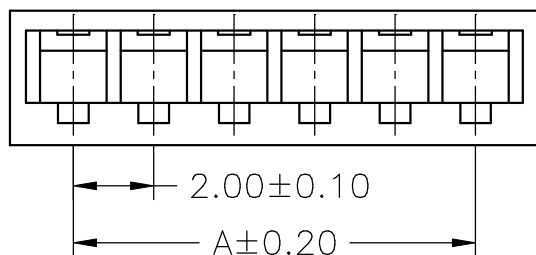


SPECIFICATIONS

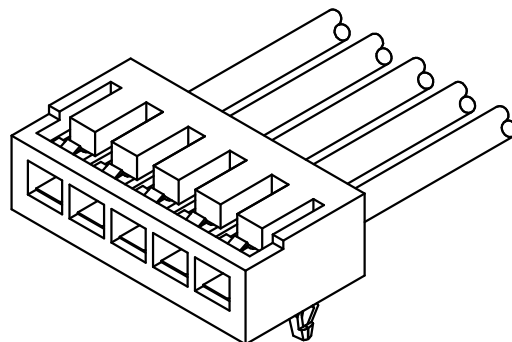
Current Rating: 2A AC,DC
 Voltage Rating: 250V AC,DC
 Temperature Range: -25°C ~ +85°C
 Contact Resistance: 20mΩ Max
 Insulation Resistance: 1000MΩ Min
 Withstanding Voltage: 800V AC/minute
 Material: Nylon 66,UL94V-0
 Color: Natural(White)

Ordering Information & Dimensions

PART NO.	Dimensions	
	A	B
B2011HV-02P	2.00	5.15
B2011HV-03P	4.00	7.15
B2011HV-04P	6.00	9.15
B2011HV-05P	8.00	11.15
B2011HV-06P	10.00	13.15
B2011HV-07P	12.00	15.15
B2011HV-08P	14.00	17.15
B2011HV-09P	16.00	19.15
B2011HV-10P	18.00	21.15
B2011HV-11P	20.00	23.15
B2011HV-12P	22.00	25.15
B2011HV-13P	24.00	27.15
B2011HV-14P	26.00	29.15
B2011HV-15P	28.00	31.15
B2011HV-16P	30.00	33.15



广瑞电子科技有限公司				
UNIT	SCALE	SHEET	TITLE:	
mm		1 of 1	2.00mm PITCH 180° HOUSING	
DRAWN BY SUSAN 2001.02.01	APPROVED BY HENLY 2001.02.01			
GENERAL TOLERANCE				
B1	REVISE	2006.04.17	X.X±0.25	ANGLE±
B0	NEW RELEASE	2005.11.26	X.XX±0.15	
REV.	DESCRIPTION	DATE	X.XXX±0.05	
			DRW NO. :	REV. B1
			B2011HV-XP	

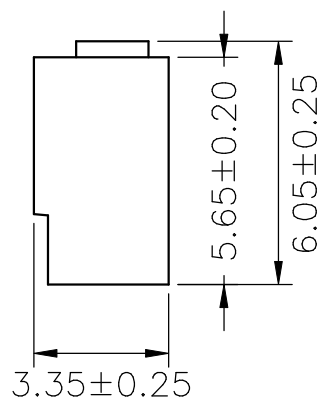
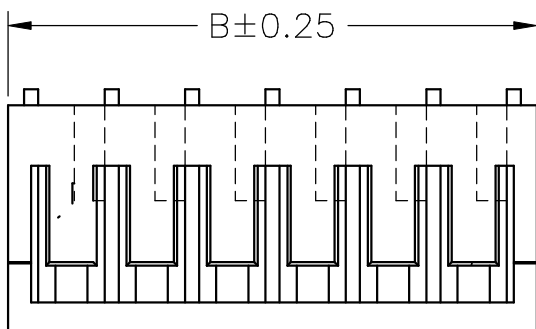
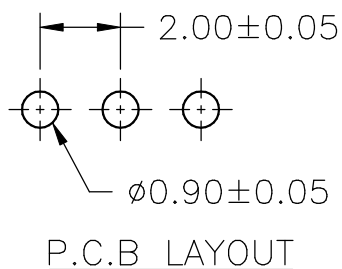
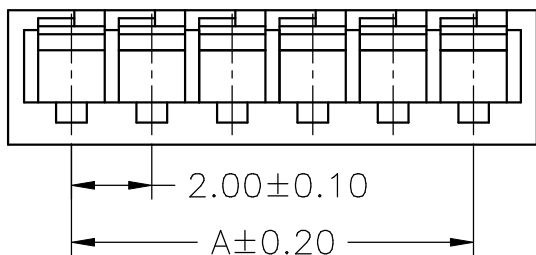


SPECIFICATIONS

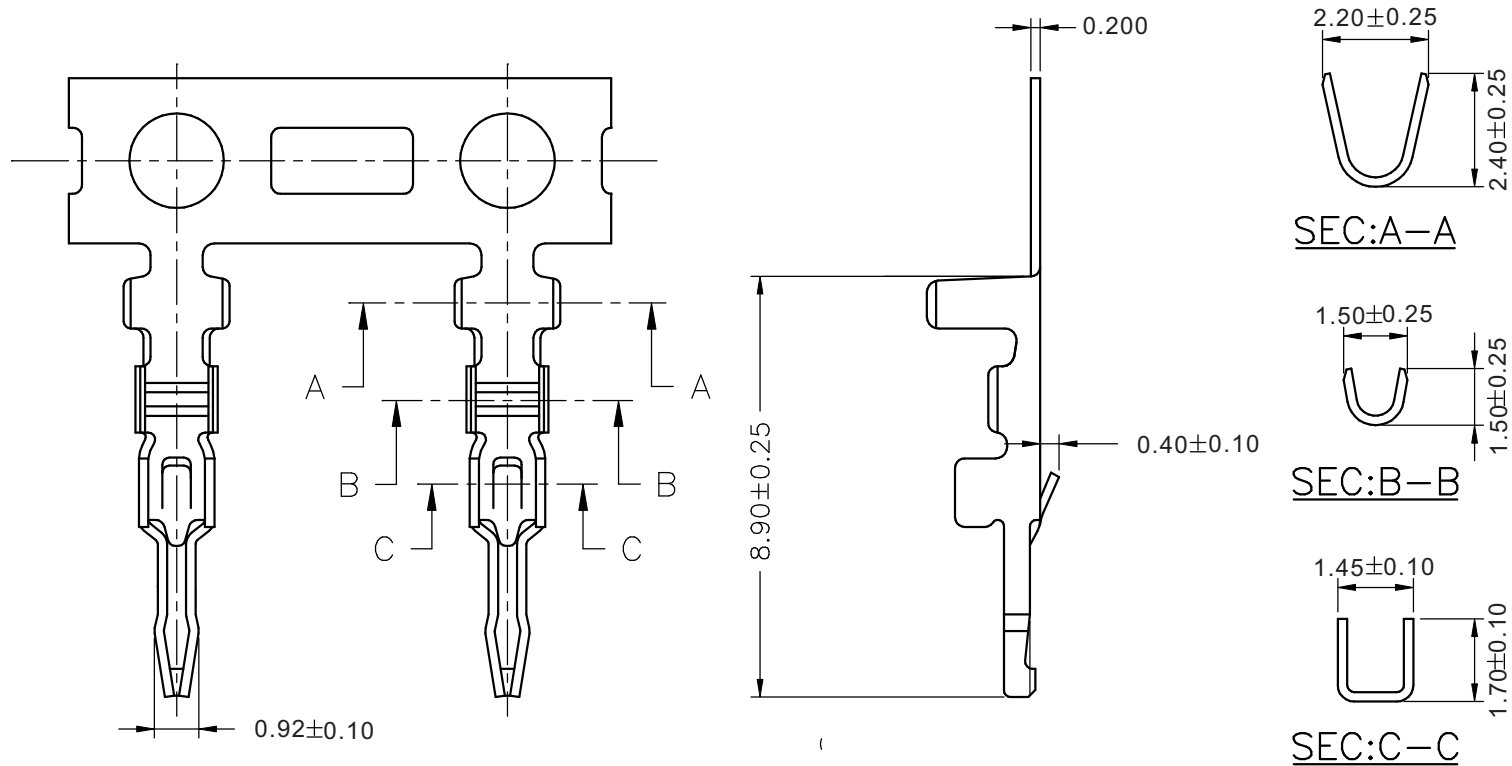
Current Rating: 2A AC,DC
 Voltage Rating: 250V AC,DC
 Temperature Range: -25°C ~ +85°C
 Contact Resistance: 20mΩ Max
 Insulation Resistance: 1000MΩ Min
 Withstanding Voltage: 800V AC/minute
 Material: Nylon 66,UL94V-0
 Color: Natural(White)

Ordering Information & Dimensions

PART NO.	Dimensions	
	A	B
B2011HR-02P	2.00	5.15
B2011HR-03P	4.00	7.15
B2011HR-04P	6.00	9.15
B2011HR-05P	8.00	11.15
B2011HR-06P	10.00	13.15
B2011HR-07P	12.00	15.15
B2011HR-08P	14.00	17.15
B2011HR-09P	16.00	19.15
B2011HR-10P	18.00	21.15
B2011HR-11P	20.00	23.15
B2011HR-12P	22.00	25.15
B2011HR-13P	24.00	27.15
B2011HR-14P	26.00	29.15
B2011HR-15P	28.00	31.15
B2011HR-16P	30.00	33.15



广瑞电子科技有限公司				
UNIT	SCALE	SHEET	TITLE:	
mm		1 of 1	2.00mm PITCH 90° HOUSING	
DRAWN BY SUSAN 2001.02.01		APPROVED BY HENLY 2001.02.01		
GENERAL TOLERANCE				
B1	REVISE	2006.04.17	X. X±0.25	ANGLE±
B0	NEW RELEASE	2005.11.26	X. XX±0.15	
REV.	DESCRIPTION	DATE	X. XXX±0.05	
DRAW NO. :			REV. B1	
			B2011HR-XP	

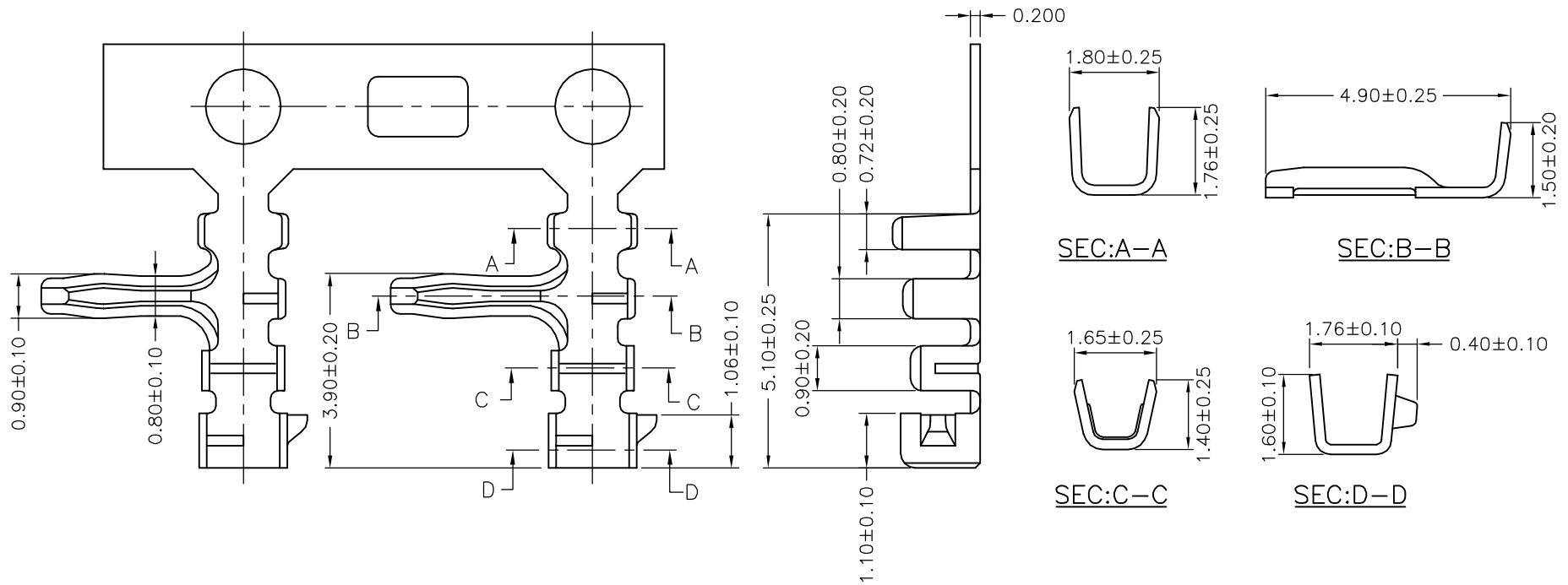


Ordering Information & Specifications

Part No.	Wire Range	Insulation O.D.	Material	Finish	Qty/reel
B2011V-TBE	AWG#24-#30	1.30mm(max)	Brass	Tin-plated	10,000pcs
B2011V-MBE	AWG#24-#30	1.30mm(max)	Brass	Mist Tin	10,000pcs

Note:E-Stamping before Tin-plated

						广瑞电子科技有限公司					
						UNIT	SCALE	SHEET	TITLE:		
						mm		1 of 1			
						DRAWN BY SUSAN		APPROVED BY HENLY		2.00mm PITCH 180° CRIMP TERMINAL	
						2001.02.01		2001.02.01			
B2	REVISE	2006.05.15	GENERAL TOLERANCE							DRAW NO. : B2011V-XX	
B1	REVISE	2006.04.17	X.X±0.25	ANGLE±							
B0	NEW RELEASE	2005.11.26	X.XX±0.15								
REV.	DESCRIPTION	DATE	X.XXX±0.05								



Ordering Information & Specifications

Part No.	Wire Range	Insulation O.D.	Material	Finish	Qty/reel
B2011R-TBE	AWG#24-#30	1.30mm(max)	Brass	Tin-plated	10,000pcs

Note:E-Stamping before Tin-plated

广瑞电子科技有限公司					
			UNIT mm	SCALE	SHEET 1 of 1
			DRAWN BY SUSAN 2001.02.01	APPROVED BY HENLY 2001.02.01	TITLE: 2.00mm PITCH 90° CRIMP TERMINAL
			GENERAL TOLERANCE		
B1	REVISE	2006.04.17	X. X±0.25	ANGLE±	
B0	NEW RELEASE	2005.11.26	X. XX±0.15		
REV.	DESCRIPTION	DATE	X. XXX±0.05		
DRAW NO. : B2011R-XX					REV. B1