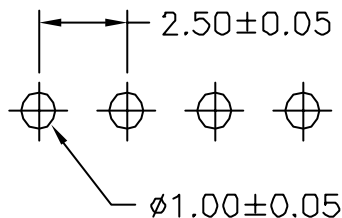
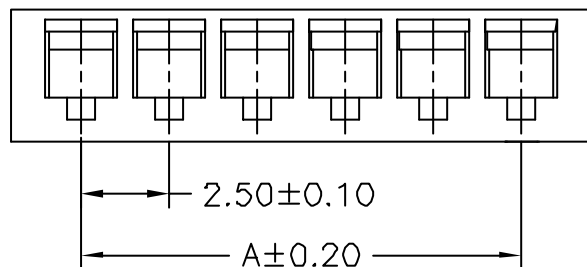


SPECIFICATIONS

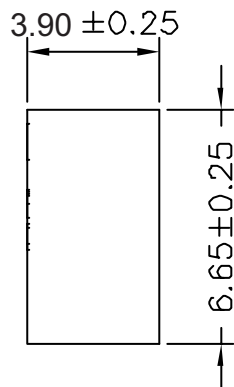
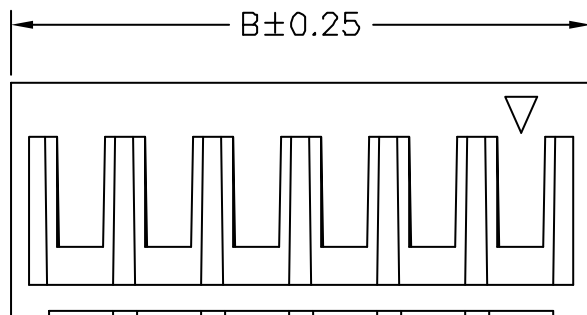
Current Rating: 3A AC,DC
 Voltage Rating: 250V AC,DC
 Temperature Range: -25°C ~ +85°C
 Contact Resistance: 10mΩ Max
 Insulation Resistance: 1000MΩ Min
 Withstanding Voltage: 800V AC/minute
 Material: Nylon 66,UL94V-0
 Color: Natural(White)

Ordering Information & Dimensions

PART NO.	Dimensions	
	A	B
B2512HV-02P	2.50	6.50
B2512HV-03P	5.00	9.00
B2512HV-04P	7.50	11.50
B2512HV-05P	10.00	14.00
B2512HV-06P	12.50	16.50
B2512HV-07P	15.00	19.00
B2512HV-08P	17.50	21.50
B2512HV-09P	20.00	24.00
B2512HV-10P	22.50	26.50
B2512HV-11P	25.00	29.00
B2512HV-12P	27.50	31.50
B2512HV-13P	30.00	34.00
B2512HV-14P	32.50	36.50
B2512HV-15P	35.00	39.00
B2512HV-16P	37.50	41.50

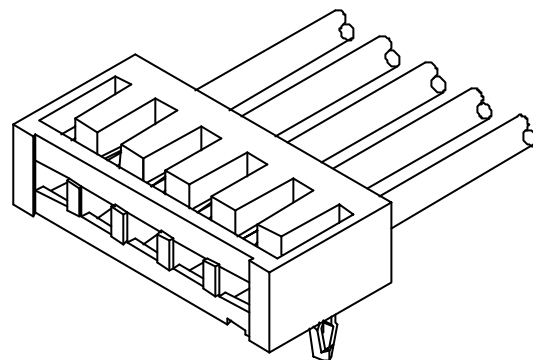


P.C.B LAYOUT



广瑞电子科技有限公司					
			UNIT	SCALE	SHEET
			mm		1 of 1
			DRAWN BY	APPROVED BY	
			SUSAN	HENLY	
			2001.02.01	2001.02.01	
GENERAL TOLERANCE					
B1	REVISE	2006.08.26	X.X;ø.25	ANGLE	
B0	NEW RELEASE	2005.12.06	X.XX;ø.15		
REV.	DESCRIPTION	DATE	X.XXX;ø.05		
DRAW NO.: B2512HV-XP					REV. B1

**2.50mm PITCH
180° HOUSING**

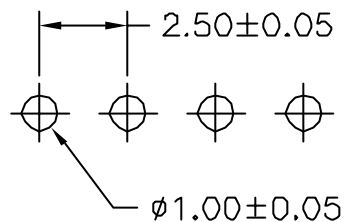
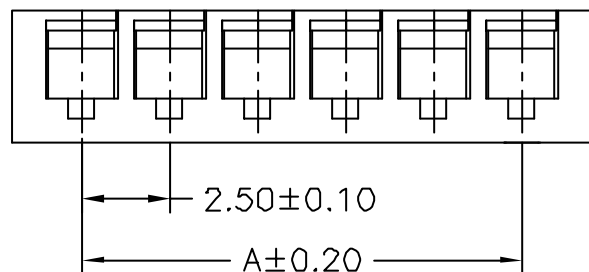


SPECIFICATIONS

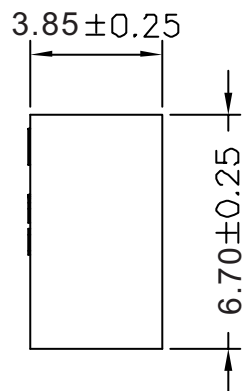
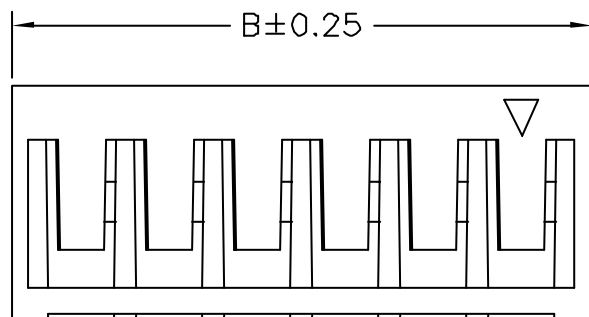
Current Rating: 3A AC,DC
 Voltage Rating: 250V AC,DC
 Temperature Range: -25°C ~ +85°C
 Contact Resistance: 10mΩ Max
 Insulation Resistance: 1000MΩ Min
 Withstanding Voltage: 800V AC/minute
 Material: Nylon 66,UL94V-0
 Color: Natural(White)

Ordering Information & Dimensions

PART NO.	Dimensions	
	A	B
B2512HR-02P	2.50	6.60
B2512HR-03P	5.00	9.10
B2512HR-04P	7.50	11.60
B2512HR-05P	10.00	14.10
B2512HR-06P	12.50	16.60
B2512HR-07P	15.00	19.10
B2512HR-08P	17.50	21.60
B2512HR-09P	20.00	24.10
B2512HR-10P	22.50	26.60
B2512HR-11P	25.00	29.10
B2512HR-12P	27.50	31.60
B2512HR-13P	30.00	34.10
B2512HR-14P	32.50	36.60
B2512HR-15P	35.00	39.10
B2512HR-16P	37.50	41.60

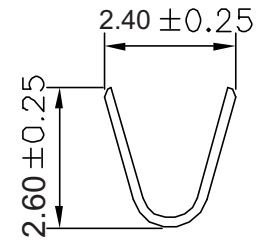
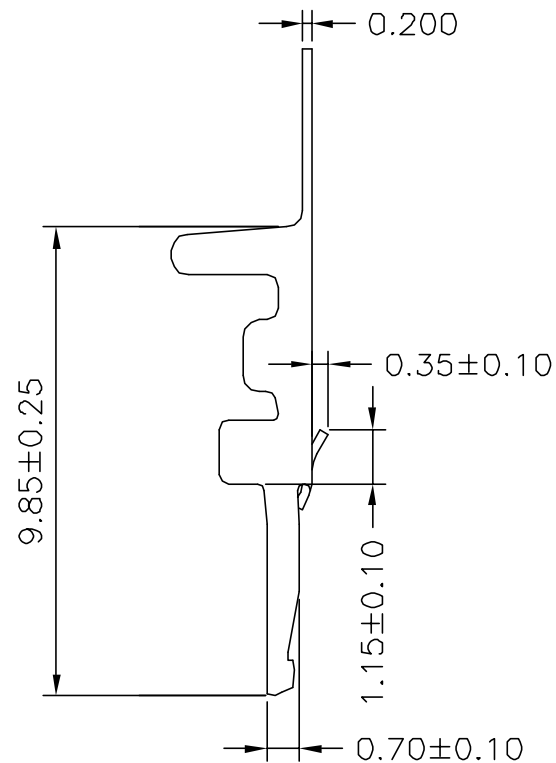
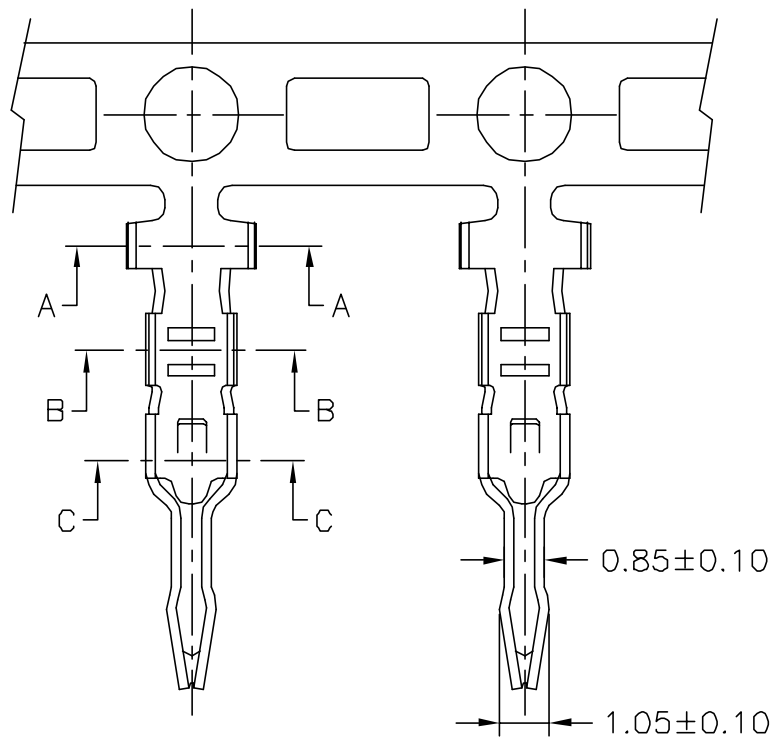


P.C.B LAYOUT

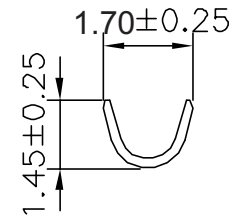


广瑞电子科技有限公司

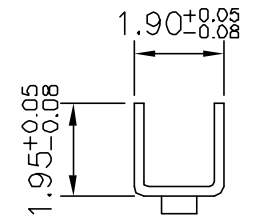
		UNIT		SCALE	SHEET	TITLE:	
		mm			1 of 1		
		DRAWN BY		APPROVED BY		2.50mm PITCH 90° HOUSING	
		SUSAN		HENLY			
		2001.02.01		2001.02.01			
		GENERAL TOLERANCE					
B1	REVISE	2006.08.26	X.X;±0.25	ANGLE			
B0	NEW RELEASE	2005.12.06	X.XX;±0.15	▽			
REV.	DESCRIPTION	DATE	X.XXX;±0.05	DRAW NO.:		REV. B1	
						B2512HR-XP	



SEC:A-A



SEC:B-B



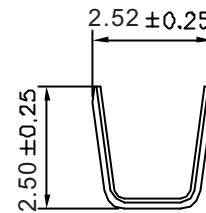
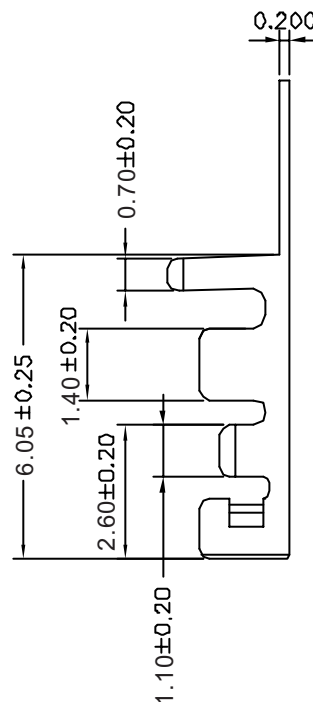
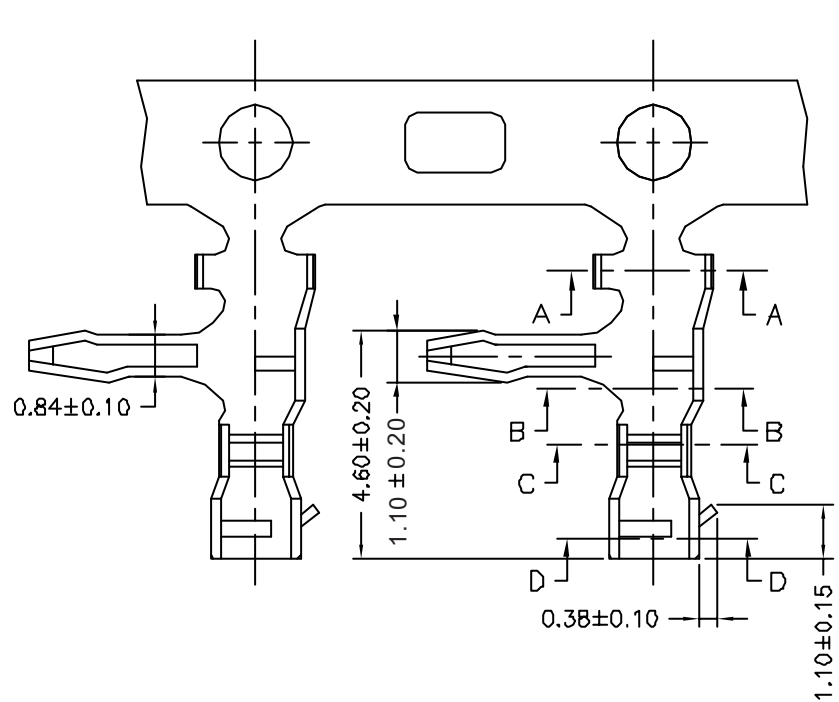
SEC:C-C

Ordering Information & Specifications

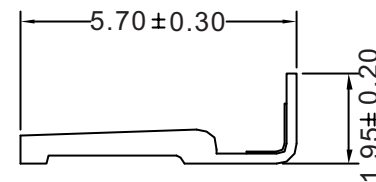
Part No.	Wire Range	Insulation O.D.	Material	Finish	Qty/reel
B2512V-TBE	AWG#22-#28	1.70mm(max)	Brass	Tin-plated	10,000pcs

Note:E-Stamping before Tin-plated

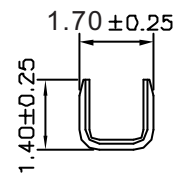
广瑞电子科技有限公司					
		UNIT	SCALE	SHEET	TITLE:
		mm		1 of 1	
		DRAWN BY	APPROVED BY		2.50mm PITCH 180° CRIMP TERMINAL
B4	REVISE	2008.08.01			
B3	REVISE	2008.07.08			
B2	REVISE	2006.11.22	GENERAL TOLERANCE		
B1	REVISE	2006.08.26	X.X ₁ ∅.25	ANGLE∠	DRAW NO.:
B0	NEW RELEASE	2005.12.06	X.XX ₁ ∅.15		
REV.	DESCRIPTION	DATE	X.XXX ₁ ∅.05		
				B2512V-XX	
				REV. B4	



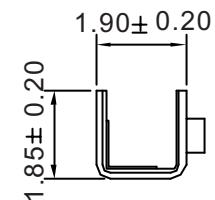
SEC:A-A



SEC:B-B



SEC:C-C



SEC:D-D

Ordering Information & Specifications

Part No.	Wire Range	Insulation O.D.	Material	Finish	Qty/reel
B2512R-TBE	AWG#22-#2B	1.70mm(max)	Brass	Tin-plated	10,000pcs

Note:E-Stamping before Tin-plated

广瑞电子科技有限公司

			UNIT	SCALE	SHEET	TITLE:
			mm		1 of 1	
			DRAWN BY	APPROVED BY		2.50mm PITCH 90° CRIMP TERMINAL
			SUSAN	LENLY		
			2001.02.01	2001.02.01		
GENERAL TOLERANCE						
B1	REVISE	2006.08.26	X.Xj0.25	ANGLE;0		DRAW NO.: B2512R-XX
B0	NEW RELEASE	2005.12.06	X.XXj0.15			
REV.	DESCRIPTION	DATE	X.XXXj0.05			
						REV. B1