

SPECIFICATIONS

Current Rating: 3A AC,DC
 Voltage Rating: 250V AC,DC
 Temperature Range: -25°C ~ +85°C
 Contact Resistance: 20mΩ Max
 Insulation Resistance: 1000MΩ Min
 Withstanding Voltage: 1500V AC/minute
 Material: PBT30%GF,UL94V-0
 Color: Natural(Black)

Ordering Information:

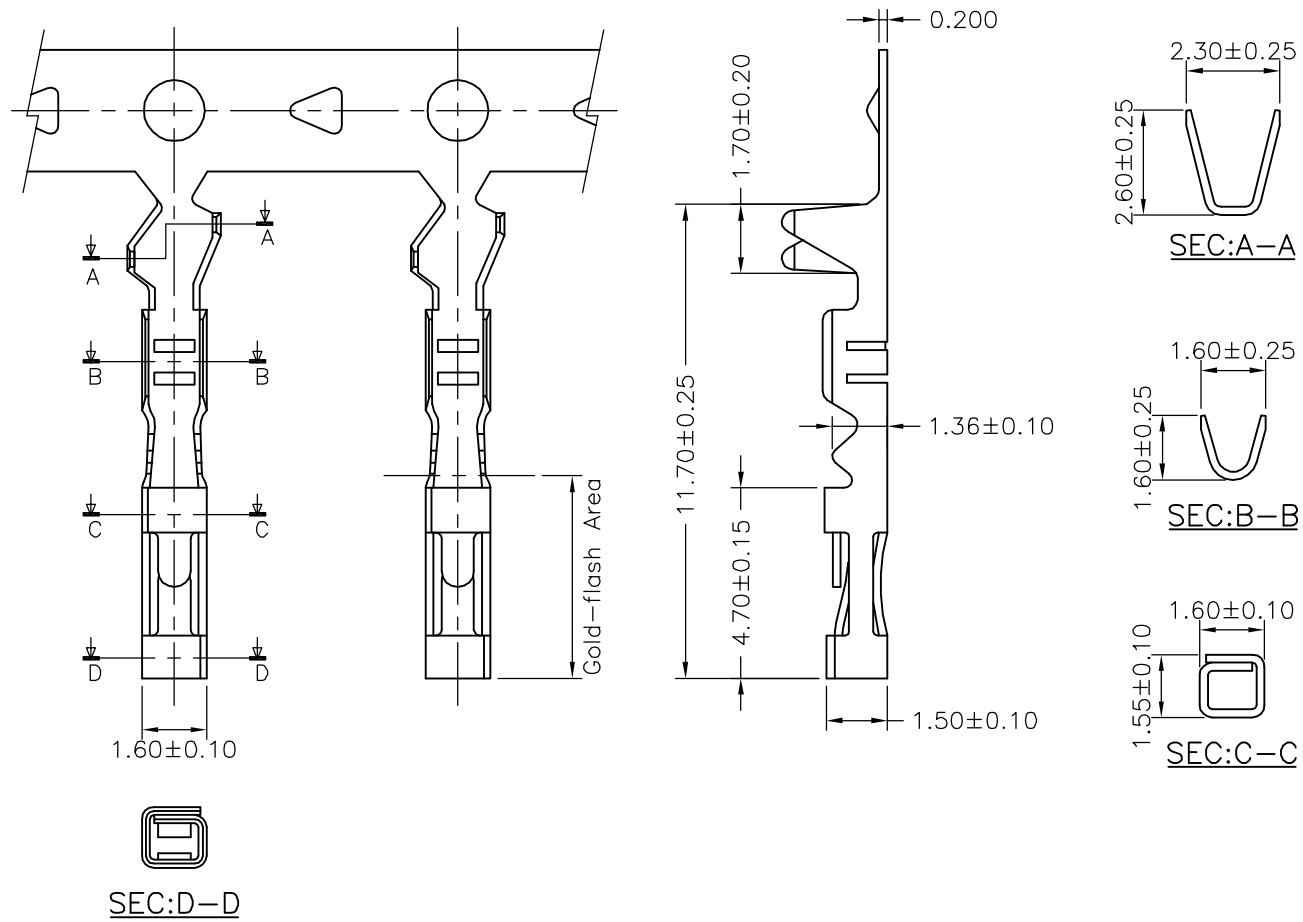
A2541H-M-XP-^{*}/₂

- 1. Series No.
- 2. Style:
 - ₁-Type 1
 - ₂-Type 2

Ordering Information & Dimensions

PART NO.	Dimensions	
	A	B
A2541H-M-02P	2.54	5.08
A2541H-M-03P	5.08	7.62
A2541H-M-04P	7.62	10.16
A2541H-M-05P	10.16	12.70
A2541H-M-06P	12.70	15.24
A2541H-M-07P	15.24	17.78
A2541H-M-08P	17.78	20.32
A2541H-M-09P	20.32	22.86
A2541H-M-10P	22.86	25.40
A2541H-M-11P	25.40	27.94
A2541H-M-12P	27.94	30.48

广瑞电子科技有限公司				
UNIT	SCALE	SHEET	TITLE:	
mm		1 of 1	2.54mm PITCH HOUSING	
DRAWN BY	APPROVED BY		DRAW NO.:	
SUSAN	HENLY		A2541H-M-XP-X	
2001.02.01	2001.02.01		REV. BO	
GENERAL TOLERANCE				
X. X±0.25		ANGLE±		
X. XX±0.15				
X. XXX±0.05				
BO	NEW RELEASE	2006.04.10		
REV.	DESCRIPTION	DATE		

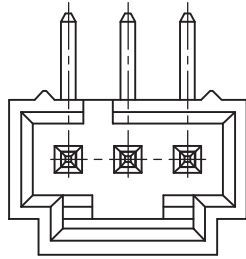


Ordering Information & Specifications

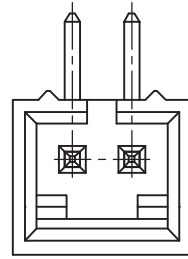
Part No	Wire Range	Insulation O.D.	Material	Finish	Qty/reel
A2541-HPE	AWG#22-#26	1.63mm(max)	Phosphor Bronze	Gold-flash	10,000pcs
A2541-HBE	AWG#22-#26	1.63mm(max)	Brass	Gold-flash	
A2541-TPE	AWG#22-#26	1.63mm(max)	Phosphor Bronze	Tin-plated	
A2541-TBE	AWG#22-#26	1.63mm(max)	Brass	Tin-plated	

Note:E-Stamping before Tin-plated or Gold-flash

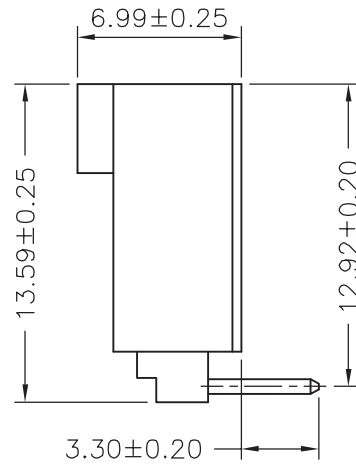
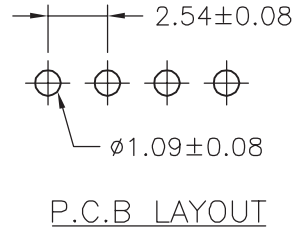
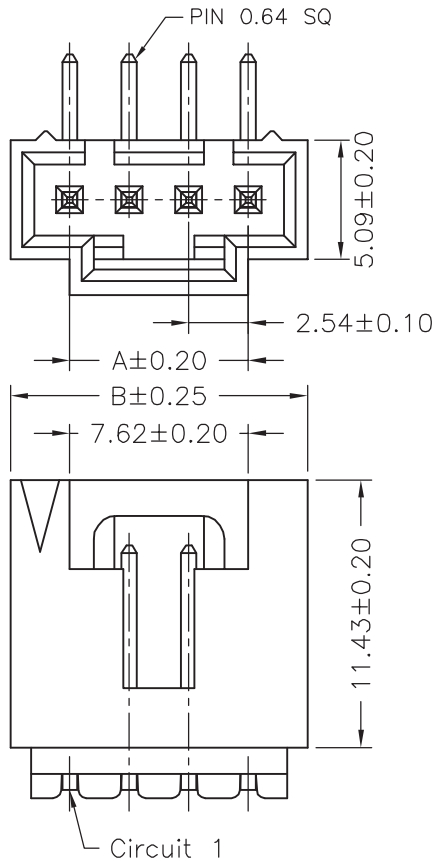
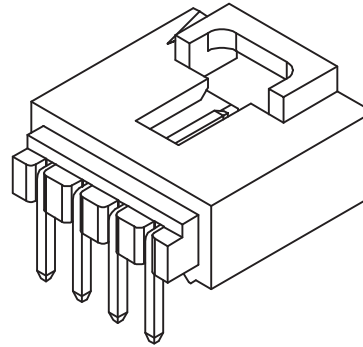
广瑞电子科技有限公司					
UNIT	SCALE	SHEET	TITLE:		
mm		1 of 1	2.54mm PITCH CRIMP TERMINAL		
DRAWN BY SUSAN 2001.02.01		APPROVED BY HENLY 2001.02.01		DRAW NO. : A2541-XX	
GENERAL TOLERANCE					
X. X±0.25		ANGLE±		REV. BO	
X. XX±0.15		REV. BO			
X. XXX±0.05					
BO	NEW RELEASE	2006.04.10			
REV.	DESCRIPTION	DATE			



3P



2P



SPECIFICATIONS

Current Rating: 3A AC,DC
 Voltage Rating: 250V AC,DC
 Temperature Range: -25°C ~ +85°C
 Contact Resistance: 20mΩ Max
 Insulation Resistance: 1000MΩ Min
 Withstanding Voltage: 1500V AC/minute
 Pin Material: Brass/Gold-flash
 Material: PBT30%GF,UL94V-0
 Color: Natural(Black)

Ordering Information & Dimensions

PART NO.	Dimensions	
	A	B
A2541WR-02P	2.54	7.59
A2541WR-03P	5.08	10.13
A2541WR-04P	7.62	12.67
A2541WR-05P	10.16	15.21
A2541WR-06P	12.70	17.75
A2541WR-07P	15.24	20.29
A2541WR-08P	17.78	22.83
A2541WR-09P	20.32	25.37
A2541WR-10P	22.86	27.91
A2541WR-11P	25.40	30.45
A2541WR-12P	27.94	32.99

广瑞电子科技有限公司			
UNIT	SCALE	SHEET	TITLE:
mm		1 of 1	
DRAWN BY	APPROVED BY		2.54mm PITCH 90° WAFER
SUSAN	HENYL		
2001.02.01	2001.02.01		
GENERAL TOLERANCE			
	X.X±0.25	ANGLE±	
B0	NEW RELEASE	2006.04.10	DRAW NO. : A2541WR-XP
REV.	DESCRIPTION	DATE	
		X.XX±0.15	REV. BO
		X.XXX±0.05	