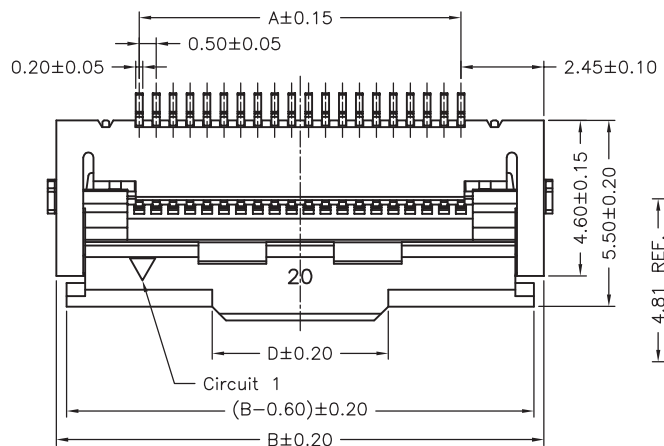
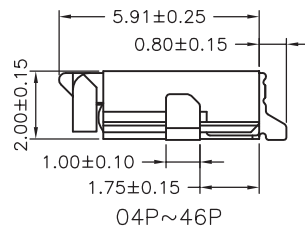
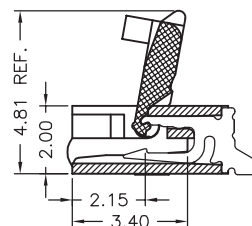
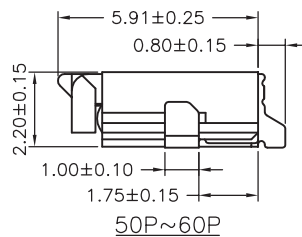
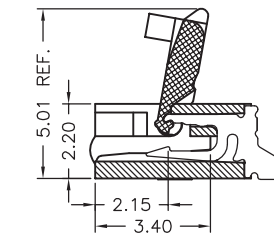


SPECIFICATIONS
 Current Rating: 0.5A AC,DC
 Voltage Rating: 50V AC,DC
 Temperature Range: -25°C ~ +85°C
 Contact Resistance: 30mΩ Max.
 Insulation Resistance: 100MΩ Min.
 Withstanding Voltage: 250V AC/minute
 Contacts: Phosphor Bronze/Tin-plated
 Solder Tabs: Phosphor Bronze/Tin-plated
 Housing: Nylon 6T,UL94V-0,Natural(Beige)
 Cover: Nylon 6T,UL94V-0,Natural(Black)



Ordering Information & Dimensions

PART NO.	Dimensions					PART NO.	Dimensions				
	A	B	C	D	E		A	B	C	D	E
F0502WR-S-04P	1.50	6.40	2.60	2.20		F0502WR-S-27P	13.00	17.90	14.10	5.20	7.00
F0502WR-S-06P	2.50	7.40	3.60	2.70		F0502WR-S-28P	13.50	18.40	14.60	5.20	7.00
F0502WR-S-07P	3.00	7.90	4.10	2.70		F0502WR-S-29P	14.00	18.90	15.10	5.20	7.50
F0502WR-S-08P	3.50	8.40	4.60	2.70		F0502WR-S-30P	14.50	19.40	15.60	5.20	7.50
F0502WR-S-09P	4.00	8.90	5.10	2.70		F0502WR-S-31P	15.00	19.90	16.10	5.20	8.00
F0502WR-S-10P	4.50	9.40	5.60	4.70		F0502WR-S-32P	15.50	20.40	16.60	5.20	8.00
F0502WR-S-11P	5.00	9.90	6.10	4.70		F0502WR-S-33P	16.00	20.90	17.10	5.20	8.50
F0502WR-S-12P	5.50	10.40	6.60	4.70		F0502WR-S-34P	16.50	21.40	17.60	5.20	9.00
F0502WR-S-13P	6.00	10.90	7.10	4.70		F0502WR-S-35P	17.00	21.90	18.10	5.20	9.00
F0502WR-S-14P	6.50	11.40	7.60	4.70		F0502WR-S-36P	17.50	22.40	18.60	5.20	9.00
F0502WR-S-15P	7.00	11.90	8.10	5.20		F0502WR-S-37P	18.00	22.90	19.10	5.20	9.50
F0502WR-S-16P	7.50	12.40	8.60	5.20		F0502WR-S-38P	18.50	23.40	19.60	5.20	10.00
F0502WR-S-17P	8.00	12.90	9.10	5.20		F0502WR-S-39P	19.00	23.90	20.10	5.20	10.50
F0502WR-S-18P	8.50	13.40	9.60	5.20		F0502WR-S-40P	19.50	24.40	20.60	5.20	13.50
F0502WR-S-19P	9.00	13.90	10.10	5.20		F0502WR-S-42P	20.50	25.40	21.60	5.20	14.50
F0502WR-S-20P	9.50	14.40	10.60	5.20		F0502WR-S-45P	22.00	26.90	23.10	5.20	14.30
F0502WR-S-21P	10.00	14.90	11.10	5.20		F0502WR-S-46P	22.50	27.40	23.60	5.20	14.30
F0502WR-S-22P	10.50	15.40	11.60	5.20		F0502WR-S-50P	24.50	29.40	25.60	5.20	6.50
F0502WR-S-23P	11.00	15.90	12.10	4.70	6.00	F0502WR-S-54P	26.50	31.40	27.60	5.20	8.00
F0502WR-S-24P	11.50	16.40	12.60	4.70	6.00	F0502WR-S-55P	27.00	31.90	28.10	5.20	8.00
F0502WR-S-25P	12.00	16.90	13.10	4.70	6.00	F0502WR-S-60P	29.50	34.40	30.60	5.20	8.00
F0502WR-S-26P	12.50	17.40	13.60	5.20	6.50						

广瑞电子科技有限公司					
C0	REVISE	2008.11.25	UNIT	SCALE	SHEET
B5	REVISE	2008.05.26	mm		1 of 2
B4	REVISE	2008.01.22	DRAWN BY	APPROVED BY	
B3	REVISE	2007.02.09	SUSAN	HENLY	
B2	REVISE	2006.12.06	2003.04.07	2003.04.07	
B1	REVISE	2006.12.04	GENERAL TOLERANCE		
B0	NEW RELEASE	2006.04.21	X.X±0.25	ANGLE±	
REV.	DESCRIPTION	DATE	X.XX±0.15	TOLERANCE	
			X.XXX±0.05	REV. CO	

TITLE: 0.50mm PITCH
FFC/FPC CONNECTOR
90°SMT TYPE, ZIF,
BOTTOM CONTACT STYLE

DRAW NO.: F0502WR-S-XP