

No.	Part No.	Description	Material	Color
1		Insulator	Nylon 46,UL94V-0	Black
2	F0506HA-41P	Ground plate	Stainless	---
3		Lock lever	Stainless	---
4	F0506HA-41P-C	Cap	Nylon 46,UL94V-0	Black
5	TCF0506HA-T-41P-QS0	Top cover	Stainless	---

**广瑞电子科技有限公司**

UNIT	SCALE	SHEET	TITLE:
mm		1 of 2	
DRAWN BY	APPROVED BY	0.50mm PITCH CONNECTOR FOR FFC, LOCK TYPE	
SUSAN	HENLY		
2009.06.22	2009.06.22	DRAW NO. : F0506HA-41P-001	
REV.	DESCRIPTION		

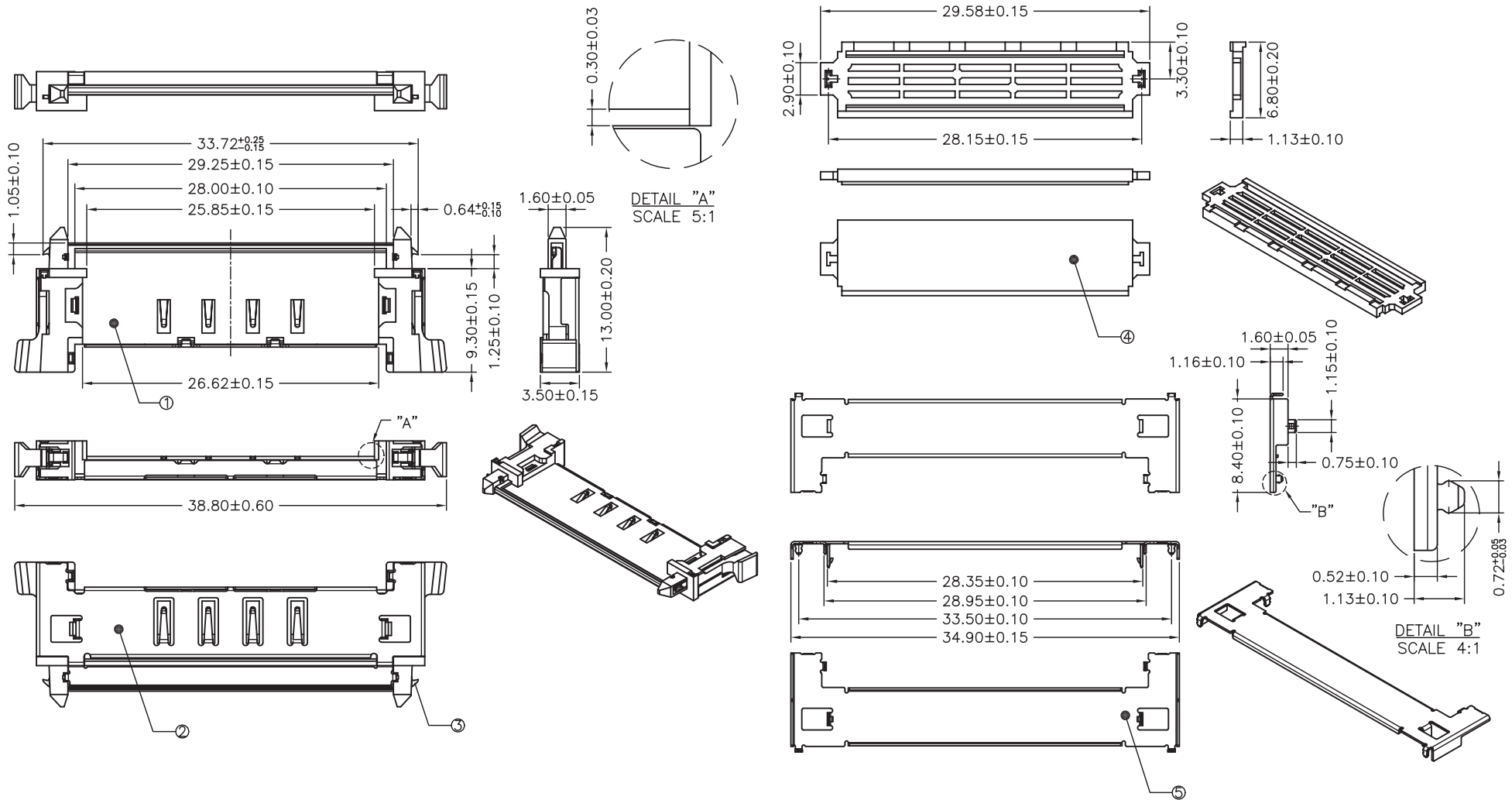
GENERAL TOLERANCE

ANGLE±

X.X±0.25

X.XX±0.15

X.XXX±0.05



No.	Part No.	Description	Material	Color
1		Insulator	Nylon 46,UL94V-0	Black
2	F0506HA-51P	Ground plate	Stainless	---
3		Lock lever	Stainless	---
4	F0506HA-51P-C	Cap	Nylon 46,UL94V-0	Black
5	TCF0506HA-T-51P-QS0	Top cover	Stainless	---

<b>广瑞电子科技有限公司</b>						
			UNIT	SCALE	SHEET	TITLE:
			mm		1 of 2	
			DRAWN BY	APPROVED BY	0.50mm PITCH CONNECTOR FOR FFC, LOCK TYPE	
			SUSAN	HENLY		
			2009.06.22	2009.06.22	DRAW NO. : F0506HA-51P-001	
			GENERAL TOLERANCE			
A2	EN0911300586	2009.11.30	ANGLE±		REV. A2	
A1	ECN NO. EN0910150500	2009.10.15	X. X±0.25			
A0	NEW RELEASE	2009.06.22	X. XX±0.15		REV. A2	
REV.	DESCRIPTION	DATE	X. XXX±0.05			