

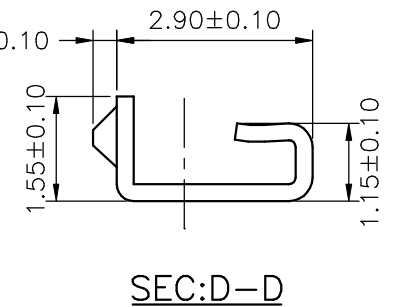
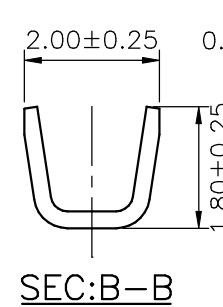
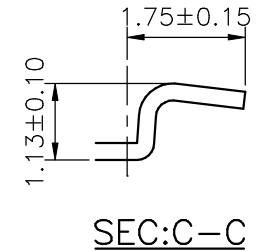
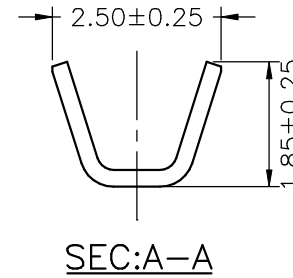
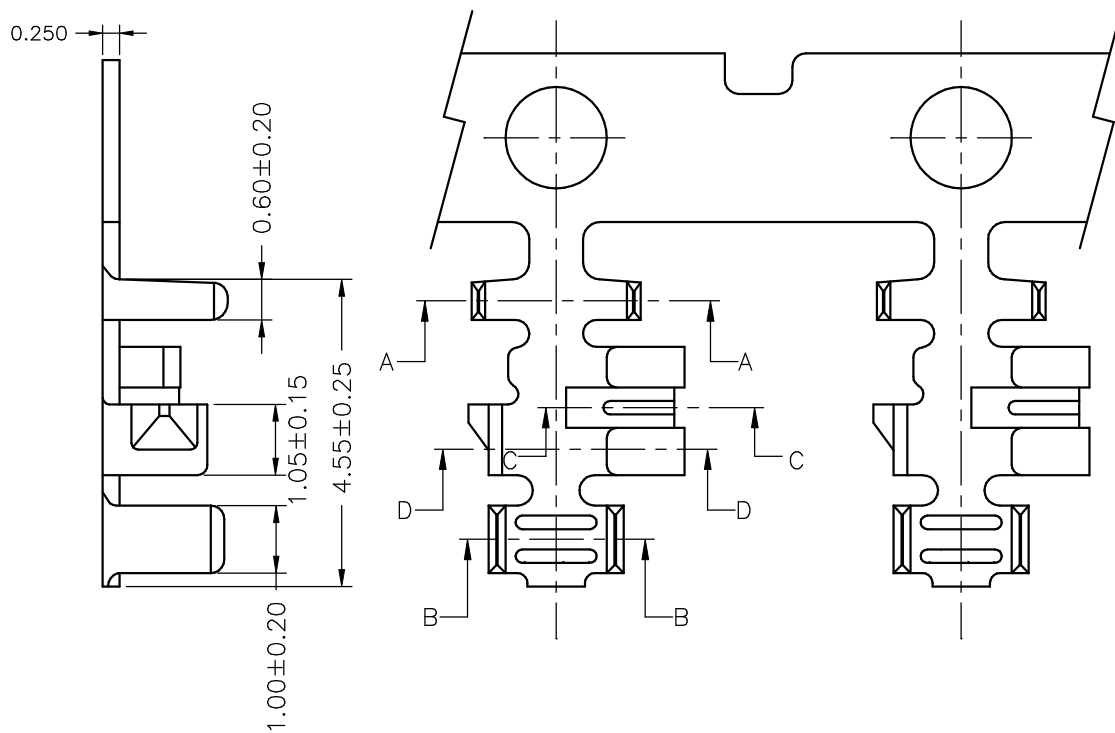
**SPECIFICATIONS**

Current Rating: 4A AC,DC  
 Voltage Rating: 125V AC,DC  
 Temperature Range: -25°C ~ +85°C  
 Contact Resistance: 10mΩ Max.  
 Insulation Resistance: 1000MΩ Min.  
 Withstanding Voltage: 1000V AC/minute  
 Material: Nylon 66,UL94V-0  
 Color: Natural(White)

**Ordering Information & Dimensions**

PART NO.	Dimensions		
	A	B	C
A2013H-02P	2.00	6.00	4.80
A2013H-03P	4.00	8.00	6.80
A2013H-04P	6.00	10.00	8.80
A2013H-05P	8.00	12.00	10.80
A2013H-06P	10.00	14.00	12.80
A2013H-07P	12.00	16.00	14.80
A2013H-08P	14.00	18.00	16.80
A2013H-09P	16.00	20.00	18.80
A2013H-10P	18.00	22.00	20.80
A2013H-11P	20.00	24.00	22.80
A2013H-12P	22.00	26.00	24.80
A2013H-13P	24.00	28.00	26.80
A2013H-14P	26.00	30.00	28.80
A2013H-15P	28.00	32.00	30.80

<b>广瑞电子科技有限公司</b>					
			UNIT	SCALE	SHEET
			mm		1 of 1
			DRAWN BY		APPROVED BY
			SUAN		HENLY
			2001.02.01		2001.02.01
B2	REVISE	2006.05.24	GENERAL TOLERANCE		
B1	REVISE	2006.02.18	X. X±0.25	ANGLE±	
B0	NEW RELEASE	2006.01.07	X. XX±0.15		
REV.	DESCRIPTION	DATE	X. XXX±0.05		
TITLE:					<b>2.00mm PITCH HOUSING</b>
DRAW NO. :					
A2013H-XP					REV. B2

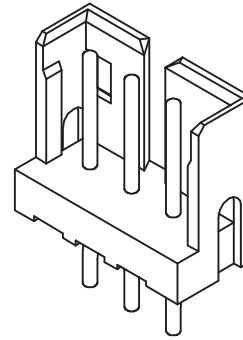
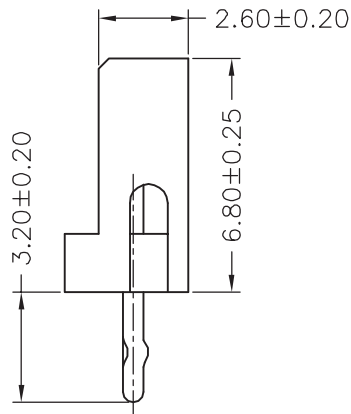
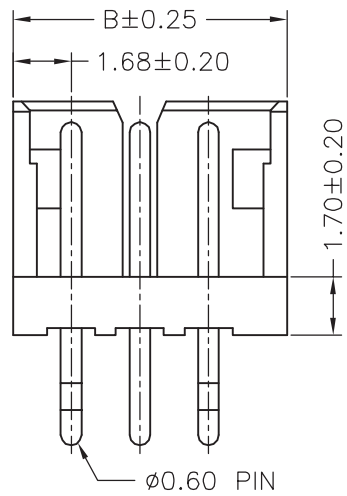
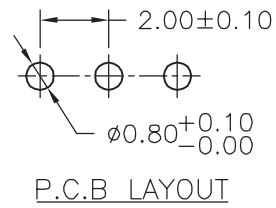
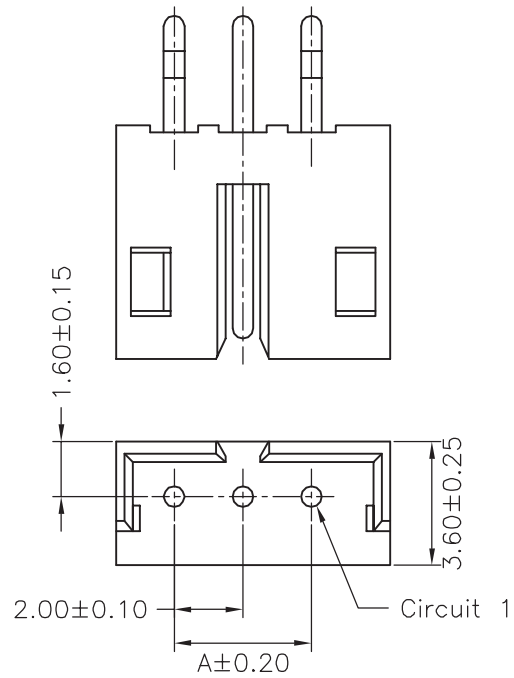


Ordering Information & Specifications

Part No	Wire Range	Insulation O.D.	Material	Finish	Qty/reel
A2013-TPE	AWG#22-#26	1.50mm(max)	Phosphor Bronze	Tin-plated	10,000pcs

Note:E-Stamping before Tin-plated

广瑞电子科技有限公司					
			UNIT	SCALE	SHEET
			mm		1 of 1
			DRAWN BY	APPROVED BY	TITLE:
			SUSAN	HENLY	2.00mm PITCH CRIMP TERMINAL
			2001.02.01	2001.02.01	
			GENERAL TOLERANCE		
B1	REVISE	2006.05.24	X.X±0.25	ANGLE±	
B0	NEW RELEASE	2006.01.07	X.XX±0.15		
REV.	DESCRIPTION	DATE	X.XXX±0.05		
					DRAW NO. : A2013-XX
					REV. B1

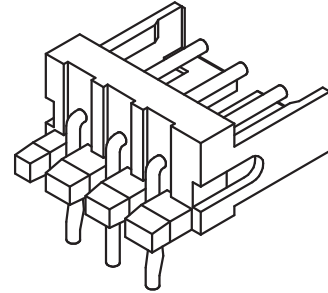
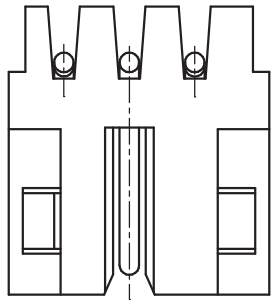


**SPECIFICATIONS**  
 Current Rating: 4A AC,DC  
 Voltage Rating: 125V AC,DC  
 Temperature Range: -25°C ~ +85°C  
 Contact Resistance: 10mΩ Max.  
 Insulation Resistance: 1000MΩ Min.  
 Withstanding Voltage: 1000V AC/minute  
 Pin Material: Brass/Tin-plated 100~150u"  
 Material: Nylon 66,UL94V-0  
 Color: Natural(White)

**Ordering Information & Dimensions**

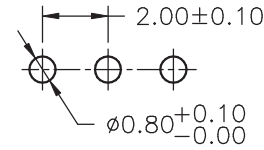
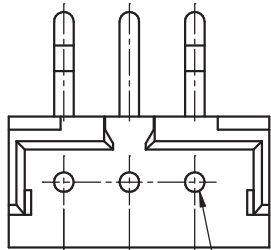
PART NO.	Dimensions	
	A	B
A2013WV-02P	2.00	5.96
A2013WV-03P	4.00	7.96
A2013WV-04P	6.00	9.96
A2013WV-05P	8.00	11.96
A2013WV-06P	10.00	13.96
A2013WV-07P	12.00	15.96
A2013WV-08P	14.00	17.96
A2013WV-09P	16.00	19.96
A2013WV-10P	18.00	21.96
A2013WV-11P	20.00	23.96
A2013WV-12P	22.00	25.96
A2013WV-13P	24.00	27.96
A2013WV-14P	26.00	29.96
A2013WV-15P	28.00	31.96

					<b>广瑞电子科技有限公司</b>			
			UNIT	SCALE	SHEET	TITLE:  2.00mm PITCH 180° WAFER		
			mm		1 of 1			
			DRAWN BY SUSAN 2001.02.01		APPROVED BY HENLY 2001.02.01			
B2	REVISE	2007.10.16	GENERAL TOLERANCE					
B1	REVISE	2006.05.24	X.X±0.25	ANGLE±				
B0	NEW RELEASE	2006.01.07	X.XX±0.15					
REV.	DESCRIPTION	DATE	X.XXX±0.05			DRAW NO. : A2013WV-XP		REV. B2

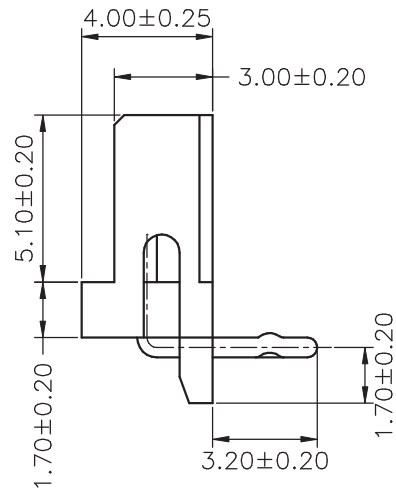
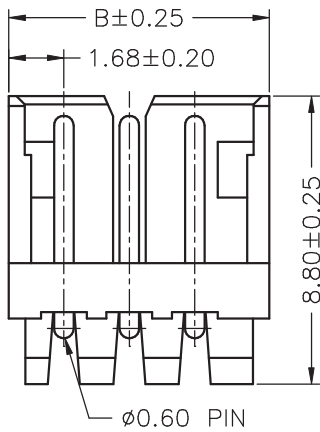
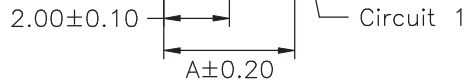


**SPECIFICATIONS**

Current Rating: 4A AC,DC  
 Voltage Rating: 125V AC,DC  
 Temperature Range: -25°C ~ +85°C  
 Contact Resistance: 10mΩ Max.  
 Insulation Resistance: 1000MΩ Min.  
 Withstanding Voltage: 1000V AC/minute  
 Pin Material: Brass/Tin-plated 100~150u"  
 Material: Nylon 66,UL94V-0  
 Color: Natural(White)



P.C.B LAYOUT



**Ordering Information & Dimensions**

PART NO.	Dimensions	
	A	B
A2013WR-02P	2.00	5.96
A2013WR-03P	4.00	7.96
A2013WR-04P	6.00	9.96
A2013WR-05P	8.00	11.96
A2013WR-06P	10.00	13.96
A2013WR-07P	12.00	15.96
A2013WR-08P	14.00	17.96
A2013WR-09P	16.00	19.96
A2013WR-10P	18.00	21.96
A2013WR-11P	20.00	23.96
A2013WR-12P	22.00	25.96
A2013WR-13P	24.00	27.96
A2013WR-14P	26.00	29.96
A2013WR-15P	28.00	31.96

广瑞电子科技有限公司				
UNIT	SCALE	SHEET	TITLE:	
mm		1 of 1	2.00mm PITCH 90° WAFER	
DRAWN BY	APPROVED BY			
SUSAN	HENLY			
	2001.02.01	2001.02.01	DRAW NO. : A2013WR-XP	
GENERAL TOLERANCE			REV. B1	
B1	REVISE	2006.05.24	X.X±0.25	ANGLE±
B0	NEW RELEASE	2006.01.07	X.XX±0.15	
REV.	DESCRIPTION	DATE	X.XXX±0.05	